

Life Elated

# LED LIGHTING SOLUTIONS

Wide range of  
indoor and outdoor  
LED lighting solutions

## TABLE OF CONTENT

COMPANY PROFILE	02
INTRODUCTION TO LED LIGHTING	03
HOHM PRODUCT PROFILE	04
HOHM VALUE PROPOSITION	05
CONCEALED DOWNLIGHT SERIES	06
MODULAR SERIES	111
SURFACE SERIES	134
TRACK SERIES	179
MAGNETIC SERIES	217
STRIP SERIES	237
LINEAR SERIES	292
HANGING SERIES	303

## ABOUT POLYCAB

Polycab India Limited (PIL) is India's largest manufacturer of Wires and Cables and one of the fastest growing FMEG companies with a consolidated turnover of INR 122+ billion. PIL is at the forefront of providing innovative, safe and energy efficient products to a diverse set of customers via a strong distribution network of 4,600+ authorized dealers and 205,000+ retail outlets. PIL's business operations span across India through 23 manufacturing facilities, 15+ offices and 25+ warehouses. PIL has also served customers in 60+ countries globally. PIL's 4,400+ employees are dedicated to upholding robust governance practices, preserving a customer centric culture, having a purpose to serve the communities, and imbibing a genuine sense of ecological consciousness.

## HOHM

Hohm from the house of Polycab offers Smart Automation Solutions for designing a living space that obeys your command at your convenience from any part of the world. Hohm's competence in automation spans products like Fans, Lighting, Keypads, Water Heaters, and other evolving solutions. Using state-of-the-art mobile app and voice control, you can enjoy your home experience to the fullest and make your life more comfortable and secure.



## INTRODUCTION TO LED LIGHTING

Have you walked into the room and noticed that it makes you feel good? Do some rooms have an atmosphere that makes you relax and enjoy the space? People have now started looking at lighting as a core home-decor essential to revamp their spaces and give their homes a whole new look depending on the mood and time of the day.

You can elevate that work of art, those classy furnishings, that vintage piece of furniture, or even the elaborate work done on the ceiling by installing the perfect piece of lighting. Lighting is a game changer because the extent to which it can enhance and change the mood and ambience of any given space is beyond your imagination. In the dynamic and complex lighting market, customers are split for choice with customised, energy-efficient lighting solutions.

Hohm from the house of Polycab offers you complete LED lighting solutions – for residential, commercial, and industrial purpose to match your need. Designed using high quality materials, each LED solution provides high efficiency performance along with durability. Each product is designed to complement and co-ordinate the most exclusive interior and exterior lifestyles, from classic to contemporary. We are committed to offer the widest range of energy efficient LED lighting solutions coupled with latest technology, service, and expertise.

# HOHM PRODUCT PORTFOLIO



**CONCEALED  
DOWNLIGHTS**



**MODULAR & BLADE R  
LIGHTS**



**SURFACE  
LIGHTS**



**TRACK  
LIGHTS**



**MAGNETIC  
LIGHTS**



**STRIP  
LIGHTS**



**LINEAR  
LIGHTS**



**HANGING  
LIGHTS**

# HOHM VALUE PROPOSITION

Wide Range  
of Product  
Portfolio

Upgradable  
to Phasecut/  
Analog/Dali/  
Smart

Best in  
service LED  
& Drivers

Maximum  
Warranty  
available –  
LED 5 yrs &  
Driver 2 yrs

Customisable  
lighting solution  
available

Human  
Centric  
Lighting

## SMART LIGHTING



Intensity  
Control - 100% to 0%



16 million  
colour shades



Scene  
Control



Controlled  
by HOHM App



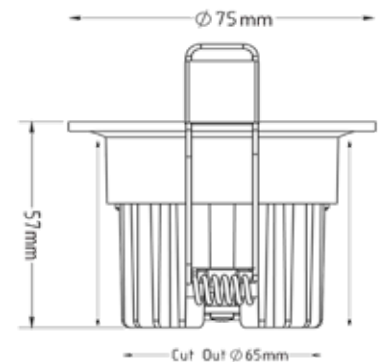
Voice Assistance  
(Alexa and google home)

# CONCEALED DOWNLIGHTS SERIES



## Curve Downlight

Wattage	06W
CCT	3000K / 4000K / 6000K
Body Color	White/ Black
Input Voltage	185-265V
Inner Color	Same as Body Color
CRI	>85
THD	<15
PF	>0.9
Operating Temperature	-10°C to +60°C
Material	Aluminium
Beam Angle	15/24/38/60°
Dimensions	57mm(Height) 75mm(Outer) 65mm(Cutout)
LED	CREE



### Product Part Code

HA-DL-CURVE-6-<BEAM>-<CCT>-<BODY COLOR>

Comes with on/off drivers(Default)

### Also Available with Following Driver

Triac Dimmable

0-10 Analog Dimmable

DALI Dimmable / DALI 2.0

Smart  

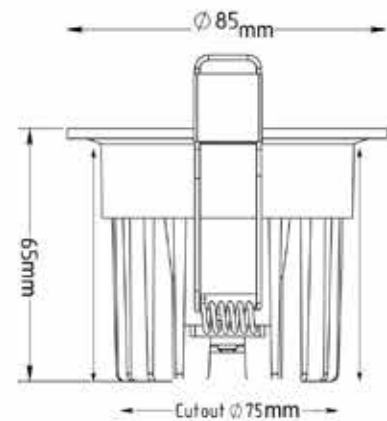


*\*For representational purposes only*

Driver Type to be mentioned with order

## Curve Downlight

Wattage	12W
CCT	3000K / 4000K / 6000K
Body Color	White/ Black
Input Voltage	185-265V
Inner Color	Same as Body Color
CRI	>85
THD	<15
PF	>0.9
Operating Temperature	-10°C to +60°C
Material	Aluminium
Beam Angle	15/24/38/60°
Dimensions	65mm(Height) 85mm(Outer) 75mm(Cutout)
LED	CREE



### Product Part Code

HA-DL-CURVE-12-<BEAM>-<CCT>-<BODY COLOR>

Comes with on/off drivers(Default)

### Also Available with Following Driver

Triac Dimmable

0-10 Analog Dimmable

DALI Dimmable / DALI 2.0

Smart  

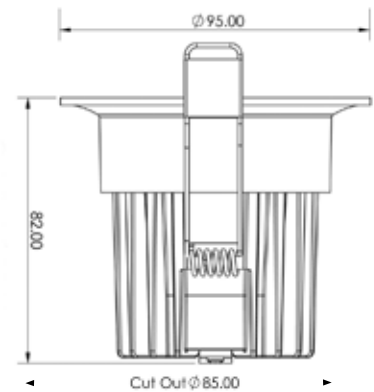


*\*For representational purposes only*

Driver Type to be mentioned with order

## Curve Downlight

Wattage	18W
CCT	3000K / 4000K / 6000K
Body Color	White/ Black
Input Voltage	185-265V
Inner Color	Same as Body Color
CRI	>85
THD	<15
PF	>0.9
Operating Temperature	-10°C to +60°C
Material	Aluminium
Beam Angle	15/24/38/60°
Dimensions	82mm(Height) 95mm(Outer) 85mm(Cutout)
LED	CREE



### Product Part Code

HA-DL-CURVE-18-<BEAM>-<CCT>-<BODY COLOR>

Comes with on/off drivers(Default)

### Also Available with Following Driver

Triac Dimmable

0-10 Analog Dimmable

DALI Dimmable / DALI 2.0

Smart  

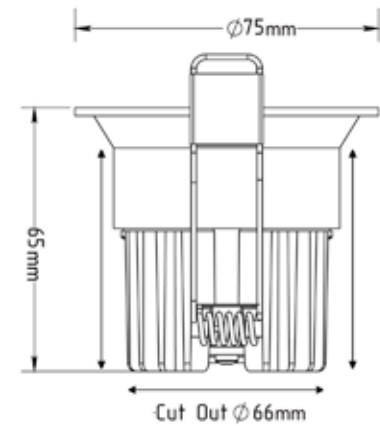


*\*For representational purposes only*

Driver Type to be mentioned with order

## Value Downlight

Wattage	06W
CCT	3000K / 4000K / 6000K
Body Color	White/ Black
Input Voltage	185-265V
Inner Color	Same as Body Color
CRI	>85
THD	<15
PF	>0.9
Operating Temperature	-10°C to +60°C
Material	Aluminium
Beam Angle	15/24/38/60°
Dimensions	65mm(Height) 75mm(Outer) 66mm(Cutout)
LED	CREE



### Product Part Code

HA-DL-VALUE-6-<BEAM>-<CCT>-<BODY COLOR>

Comes with on/off drivers(Default)

### Also Available with Following Driver

Triac Dimmable

0-10 Analog Dimmable

DALI Dimmable / DALI 2.0

Smart  

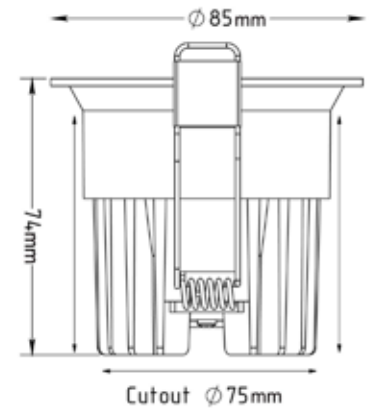


*\*For representational purposes only*

Driver Type to be mentioned with order

## Value Downlight

Wattage	12W
CCT	3000K / 4000K / 6000K
Body Color	White/ Black
Input Voltage	185-265V
Inner Color	Same as Body Color
CRI	>85
THD	<15
PF	>0.9
Operating Temperature	-10°C to +60°C
Material	Aluminium
Beam Angle	15/24/38/60°
Dimensions	74mm(Height) 85mm(Outer) 75mm(Cutout)
LED	CREE



### Product Part Code

HA-DL-VALUE-12-<BEAM>-<CCT>-<BODY COLOR>

Comes with on/off drivers(Default)

### Also Available with Following Driver

Triac Dimmable

0-10 Analog Dimmable

DALI Dimmable / DALI 2.0

Smart  

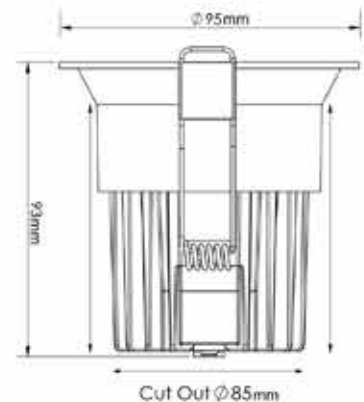


*\*For representational purposes only*

Driver Type to be mentioned with order

## Value Downlight

Wattage	18W
CCT	3000K / 4000K / 6000K
Body Color	White/ Black
Input Voltage	185-265V
Inner Color	Same as Body Color
CRI	>85
THD	<15
PF	>0.9
Operating Temperature	-10°C to +60°C
Material	Aluminium
Beam Angle	15/24/38/60°
Dimensions	93mm(Height) 95mm(Outer) 85mm(Cutout)
LED	CREE



### Product Part Code

HA-DL-VALUE-18-<BEAM>-<CCT>-<BODY COLOR>

Comes with on/off drivers(Default)

### Also Available with Following Driver

Triac Dimmable

0-10 Analog Dimmable

DALI Dimmable / DALI 2.0

Smart  

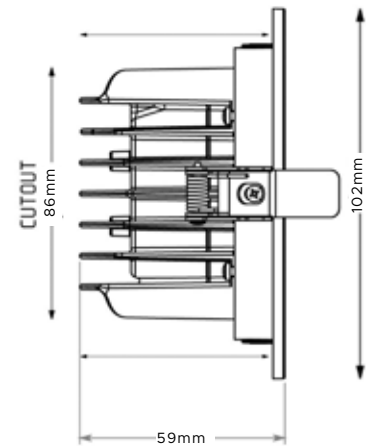


*\*For representational purposes only*

Driver Type to be mentioned with order

## Swivel Downlight

Wattage	06W
CCT	3000K / 4000K / 6000K
Body Color	White/ Black
Input Voltage	185-265V
Reflector	Silver
CRI	>85
THD	<15
PF	>0.9
Operating Temperature	-10°C to +60°C
Material	Aluminium
Beam Angle	15/24/38/60°
Dimensions	59mm(Height) 102mm(Outer) 86mm(Cutout)
LED	CREE



### Product Part Code

HA-DL-SWIVEL-6-<BEAM>-<CCT>-<BODY COLOR>

Comes with on/off drivers(Default)

### Also Available with Following Driver

Triac Dimmable

0-10 Analog Dimmable

DALI Dimmable / DALI 2.0

Smart  

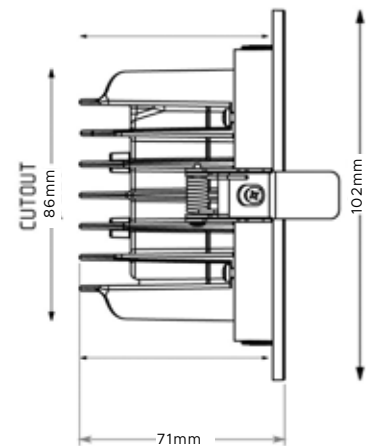


*\*For representational purposes only*

Driver Type to be mentioned with order

## Swivel Downlight

Wattage	12W
CCT	3000K / 4000K / 6000K
Body Color	White/ Black
Input Voltage	185-265V
Reflector	Silver
CRI	>85
THD	<15
PF	>0.9
Operating Temperature	-10°C to +60°C
Material	Aluminium
Beam Angle	15/24/38/60°
Dimensions	71mm(Height) 102mm(Outer) 86mm(Cutout)
LED	CREE



### Product Part Code

HA-DL-SWIVEL-12-<BEAM>-<CCT>-<BODY COLOR>

Comes with on/off drivers(Default)

### Also Available with Following Driver

Triac Dimmable

0-10 Analog Dimmable

DALI Dimmable / DALI 2.0

Smart  

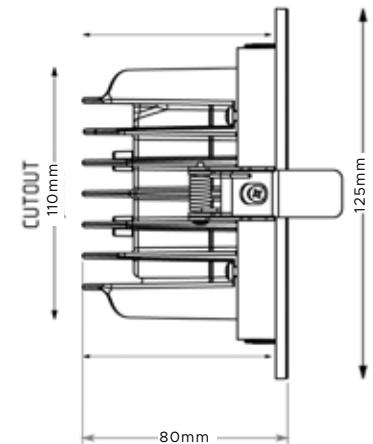


*\*For representational purposes only*

Driver Type to be mentioned with order

## Swivel Downlight

Wattage	18W
CCT	3000K / 4000K / 6000K
Body Color	White/ Black
Input Voltage	185-265V
Reflector	Silver
CRI	>85
THD	<15
PF	>0.9
Operating Temperature	-10°C to +60°C
Material	Aluminium
Beam Angle	15/24/38/60°
Dimensions	80mm(Height) 125mm(Outer) 110mm(Cutout)
LED	CREE



### Product Part Code

HA-DL-SWIVEL-18-<BEAM>-<CCT>-<BODY COLOR>

Comes with on/off drivers(Default)

### Also Available with Following Driver

Triac Dimmable

0-10 Analog Dimmable

DALI Dimmable / DALI 2.0

Smart  

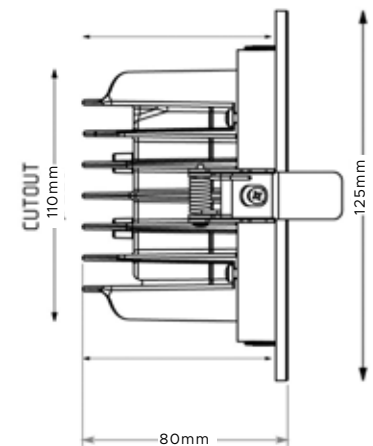


*\*For representational purposes only*

Driver Type to be mentioned with order

## Swivel Downlight

Wattage	24W
CCT	3000K / 4000K / 6000K
Body Color	White/ Black
Input Voltage	185-265V
Reflector	Silver
CRI	>85
THD	<15
PF	>0.9
Operating Temperature	-10°C to +60°C
Material	Aluminium
Beam Angle	15/24/38/60°
Dimensions	83mm(Height) 148mm(Outer) 132mm(Cutout)
LED	CREE



### Product Part Code

HA-DL-SWIVEL-24-<BEAM>-<CCT>-<BODY COLOR>

Comes with on/off drivers(Default)

### Also Available with Following Driver

Triac Dimmable

0-10 Analog Dimmable

DALI Dimmable / DALI 2.0

Smart  

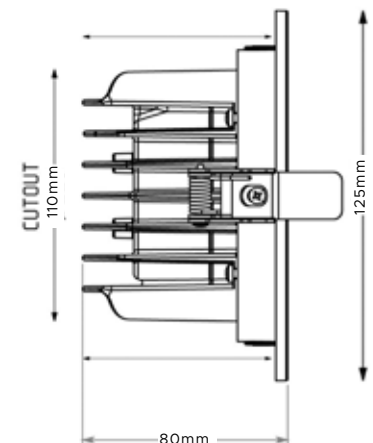


*\*For representational purposes only*

Driver Type to be mentioned with order

## Swivel Downlight

Wattage	30W
CCT	3000K / 4000K / 6000K
Body Color	White/ Black
Input Voltage	185-265V
Reflector	Silver
CRI	>85
THD	<15
PF	>0.9
Operating Temperature	-10°C to +60°C
Material	Aluminium
Beam Angle	15/24/38/60°
Dimensions	83mm(Height) 148mm(Outer) 132mm(Cutout)
LED	CREE



### Product Part Code

HA-DL-SWIVEL-30-<BEAM>-<CCT>-<BODY COLOR>

Comes with on/off drivers(Default)

### Also Available with Following Driver

Triac Dimmable

0-10 Analog Dimmable

DALI Dimmable / DALI 2.0

Smart  

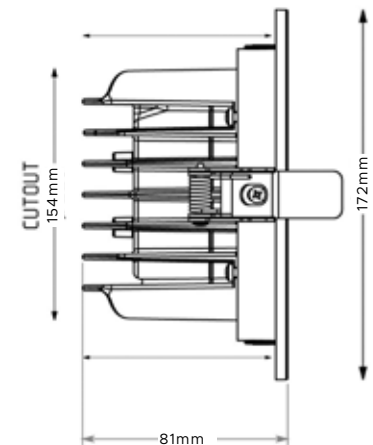


*\*For representational purposes only*

Driver Type to be mentioned with order

## Swivel Downlight

Wattage	36W
CCT	3000K / 4000K / 6000K
Body Color	White/ Black
Input Voltage	185-265V
Reflector	Silver
CRI	>85
THD	<15
PF	>0.9
Operating Temperature	-10°C to +60°C
Material	Aluminium
Beam Angle	15/24/38/60°
Dimensions	81mm(Height) 172mm(Outer) 154mm(Cutout)
LED	CREE



### Product Part Code

HA-DL-SWIVEL-36-<BEAM>-<CCT>-<BODY COLOR>

Comes with on/off drivers(Default)

### Also Available with Following Driver

Triac Dimmable

0-10 Analog Dimmable

DALI Dimmable / DALI 2.0

Smart  

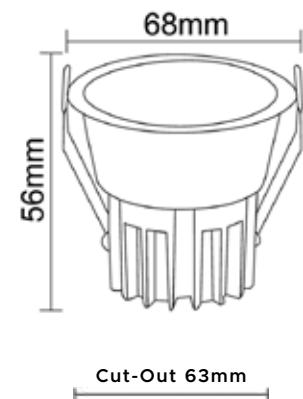


*\*For representational purposes only*

Driver Type to be mentioned with order

## Delta Downlight

Wattage	07W
CCT	3000K / 4000K / 6000K
Body Color	White / Black
Input Voltage	185-265V
Inner Color	White / Black / Yellow Gold Rose Gold / Gun Metal / Silver Chrome
CRI	>85
THD	<15
PF	>0.9
Operating Temperature	-10°C to +60°C
Material	Aluminium
Beam Angle	15/24/38/60°
Dimensions	56mm(Height) 68mm(Outer) 63mm(Cutout)
LED	CREE



### Product Part Code

HA-DL-DELTA-7-<BEAM>-<CCT>-<BODY COLOR>

Comes with on/off drivers(Default)

### Also Available with Following Driver

Triac Dimmable

0-10 Analog Dimmable

DALI Dimmable / DALI 2.0

Smart  

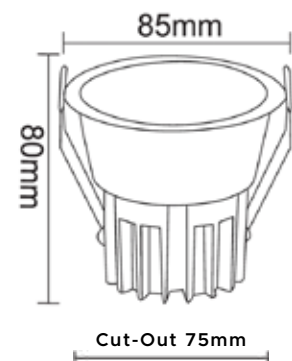


*\*For representational purposes only*

Driver Type to be mentioned with order

## Delta Downlight

Wattage	14W
CCT	3000K / 4000K / 6000K
Body Color	White / Black
Input Voltage	185-265V
Inner Color	White / Black / Yellow Gold Rose Gold / Gun Metal / Silver Chrome
CRI	>85
THD	<15
PF	>0.9
Operating Temperature	-10°C to +60°C
Material	Aluminium
Beam Angle	15/24/38/60°
Dimensions	80mm(Height) 85mm(Outer) 75mm(Cutout)
LED	CREE



### Product Part Code

HA-DL-DELTA-14-<BEAM>-<CCT>-<BODY COLOR>

Comes with on/off drivers(Default)

### Also Available with Following Driver

Triac Dimmable

0-10 Analog Dimmable

DALI Dimmable / DALI 2.0

Smart  

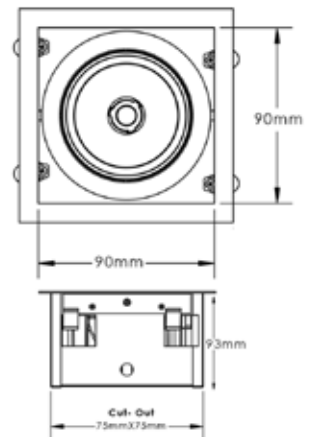


*\*For representational purposes only*

Driver Type to be mentioned with order

## Single Square Downlight

Wattage	06W
CCT	3000K / 4000K / 6000K
Body Color	White / Black
Input Voltage	185-265V
Inner Color	White / Black
CRI	>85
THD	<15
PF	>0.9
Operating Temperature	-10°C to +60°C
Material	Aluminium
Beam Angle	15/24/38/60°
Dimensions	93mm(Height) 90x90mm(Outer) 75x75mm(Cutout)
LED	CREE



### Product Part Code

HA-DL-SQ-MR16-6-<BEAM>-<CCT>-<BODY COLOR>

Comes with on/off drivers(Default)

### Also Available with Following Driver

Triac Dimmable

0-10 Analog Dimmable

DALI Dimmable / DALI 2.0

Smart  

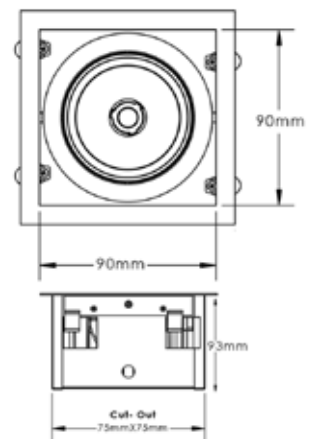


*\*For representational purposes only*

Driver Type to be mentioned with order

## Single Square Downlight

Wattage	12W
CCT	3000K / 4000K / 6000K
Body Color	White / Black
Input Voltage	185-265V
Inner Color	White / Black
CRI	>85
THD	<15
PF	>0.9
Operating Temperature	-10°C to +60°C
Material	Aluminium
Beam Angle	15/24/38/60°
Dimensions	93mm(Height) 90x90mm(Outer) 75x75mm(Cutout)
LED	CREE



### Product Part Code

HA-DL-SQ-MR16-12-<BEAM>-<CCT>-<BODY COLOR>

Comes with on/off drivers(Default)

### Also Available with Following Driver

Triac Dimmable

0-10 Analog Dimmable

DALI Dimmable / DALI 2.0

Smart  

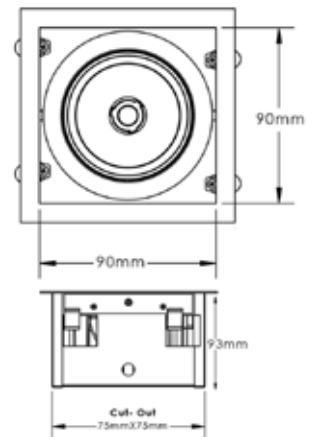


*\*For representational purposes only*

Driver Type to be mentioned with order

## Single Square Downlight

Wattage	15W
CCT	3000K / 4000K / 6000K
Body Color	White / Black
Input Voltage	185-265V
Inner Color	White / Black
CRI	>85
THD	<15
PF	>0.9
Operating Temperature	-10°C to +60°C
Material	Aluminium
Beam Angle	15/24/38/60°
Dimensions	93mm(Height) 90x90mm(Outer) 75x75mm(Cutout)
LED	CREE



### Product Part Code

HA-DL-SQ-MR16-15-<BEAM>-<CCT>-<BODY COLOR>

Comes with on/off drivers(Default)

### Also Available with Following Driver

Triac Dimmable

0-10 Analog Dimmable

DALI Dimmable / DALI 2.0

Smart  

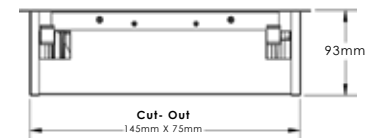
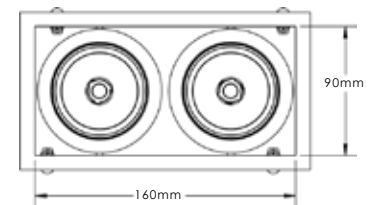


*\*For representational purposes only*

Driver Type to be mentioned with order

## Twin Downlight

Wattage	2x6W
CCT	3000K / 4000K / 6000K
Body Color	White / Black
Input Voltage	185-265V
Inner Color	White / Black
CRI	>85
THD	<15
PF	>0.9
Operating Temperature	-10°C to +60°C
Material	Aluminium
Beam Angle	15/24/38/60°
Dimensions	93mm(Height) 160X90mm(Outer) 145X75mm(Cutout)
LED	CREE



### Product Part Code

HA-DL-SQ-MR16-12-<BEAM>-<CCT>-<BODY COLOR>

Comes with on/off drivers(Default)

### Also Available with Following Driver

Triac Dimmable

0-10 Analog Dimmable

DALI Dimmable / DALI 2.0

Smart  

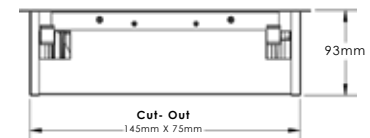
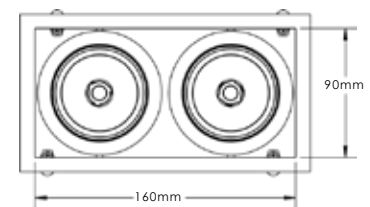


*\*For representational purposes only*

Driver Type to be mentioned with order

## Twin Downlight

Wattage	2x12W
CCT	3000K / 4000K / 6000K
Body Color	White / Black
Input Voltage	185-265V
Inner Color	White / Black
CRI	>85
THD	<15
PF	>0.9
Operating Temperature	-10°C to +60°C
Material	Aluminium
Beam Angle	15/24/38/60°
Dimensions	93mm(Height) 160X90mm(Outer) 145X75mm(Cutout)
LED	CREE



### Product Part Code

HA-DL-SQ-MR16-24-<BEAM>-<CCT>-<BODY COLOR>

Comes with on/off drivers(Default)

### Also Available with Following Driver

Triac Dimmable

0-10 Analog Dimmable

DALI Dimmable / DALI 2.0

Smart  

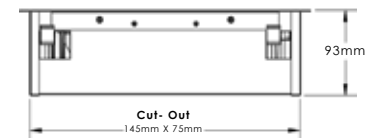
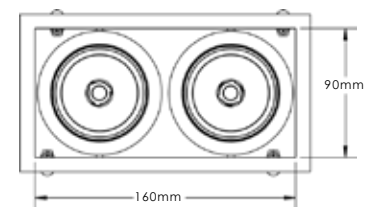


*\*For representational purposes only*

Driver Type to be mentioned with order

## Twin Downlight

Wattage	2x15W
CCT	3000K / 4000K / 6000K
Body Color	White / Black
Input Voltage	185-265V
Inner Color	White / Black
CRI	>85
THD	<15
PF	>0.9
Operating Temperature	-10°C to +60°C
Material	Aluminium
Beam Angle	15/24/38/60°
Dimensions	93mm(Height) 60X90mm(Outer) 145X75mm(Cutout)
LED	CREE



### Product Part Code

HA-DL-SQ-MR16-30-<BEAM>-<CCT>-<BODY COLOR>

Comes with on/off drivers(Default)

### Also Available with Following Driver

Triac Dimmable

0-10 Analog Dimmable

DALI Dimmable / DALI 2.0

Smart  

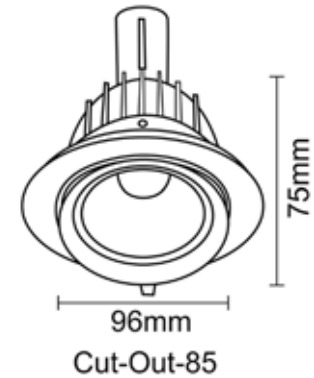


*\*For representational purposes only*

Driver Type to be mentioned with order

## Zoom Downlight

Wattage	12W
CCT	3000K / 4000K / 6000K
Body Color	White / Black
Input Voltage	185-265V
Inner Color	Same as Body Color
CRI	>85
THD	<15
PF	>0.9
Operating Temperature	-10°C to +60°C
Material	Aluminium
Beam Angle	15/24/38/60°
Dimensions	75mm(Height) 96mm(Outer) 85mm(Cutout)
LED	CREE



### Product Part Code

HA-DL-ZOOM-12-<BEAM>-<CCT>-<BODY COLOR>

Comes with on/off drivers(Default)

### Also Available with Following Driver

Triac Dimmable

0-10 Analog Dimmable

DALI Dimmable / DALI 2.0

Smart  

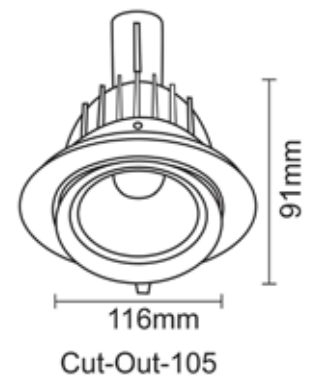


*\*For representational purposes only*

Driver Type to be mentioned with order

## Zoom Downlight

Wattage	20W
CCT	3000K / 4000K / 6000K
Body Color	White / Black
Input Voltage	185-265V
Inner Color	Same as Body Color
CRI	>85
THD	<15
PF	>0.9
Operating Temperature	-10°C to +60°C
Material	Aluminium
Beam Angle	15/24/38/60°
Dimensions	91mm(Height) 116mm(Outer) 105mm(Cutout)
LED	CREE



### Product Part Code

HA-DL-ZOOM-20-<BEAM>-<CCT>-<BODY COLOR>

Comes with on/off drivers(Default)

### Also Available with Following Driver

Triac Dimmable

0-10 Analog Dimmable

DALI Dimmable / DALI 2.0

Smart  

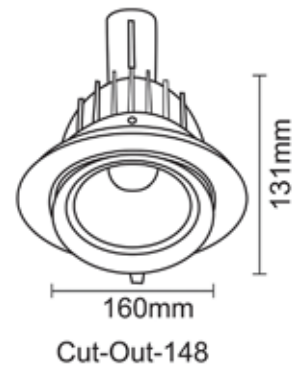


*\*For representational purposes only*

Driver Type to be mentioned with order

## Zoom Downlight

Wattage	35W
CCT	3000K / 4000K / 6000K
Body Color	White / Black
Input Voltage	185-265V
Inner Color	Same as Body Color
CRI	>85
THD	<15
PF	>0.9
Operating Temperature	-10°C to +60°C
Material	Aluminium
Beam Angle	15/24/38/60°
Dimensions	131mm(Height) 160mm(Outer) 148mm(Cutout)
LED	CREE



### Product Part Code

HA-DL-ZOOM-35-<BEAM>-<CCT>-<BODY COLOR>

Comes with on/off drivers(Default)

### Also Available with Following Driver

Triac Dimmable

0-10 Analog Dimmable

DALI Dimmable / DALI 2.0

Smart  

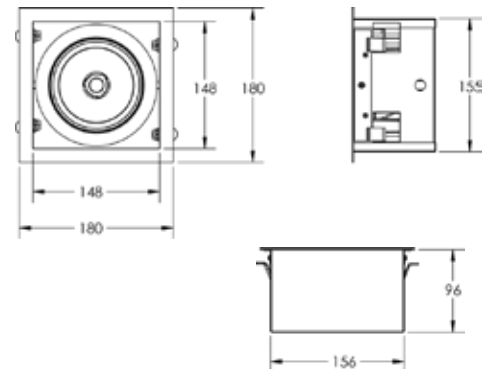


*\*For representational purposes only*

Driver Type to be mentioned with order

## Single Gimbal

Wattage	30W
CCT	3000K / 4000K / 6000K
Body Color	White/ Black
Input Voltage	185-265V
Inner Color	White / Black
CRI	>85
THD	<15
PF	>0.9
Operating Temperature	-10°C to +60°C
Material	Aluminium
Beam Angle	15/24/38/60°
Dimensions	96mm(Height) 180x180mm(Outer) 155x156mm(Cutout)
LED	Bridgelux



### Product Part Code

HA-DL-GIMBAL-30-<BEAM>-<CCT>-<BODY COLOR>

Comes with on/off drivers(Default)

### Also Available with Following Driver

Triac Dimmable

0-10 Analog Dimmable

DALI Dimmable / DALI 2.0

Smart  

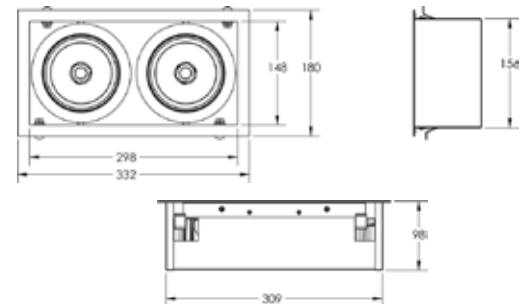


*\*For representational purposes only*

Driver Type to be mentioned with order

## Twin Gimbal

Wattage	2x30W
CCT	3000K / 4000K / 6000K
Body Color	White/ Black
Input Voltage	185-265V
Inner Color	White/ Black
CRI	>85
THD	<15
PF	>0.9
Operating Temperature	-10°C to +60°C
Material	Aluminium
Beam Angle	15/24/38/60°
Dimensions	98mm(Height) 332x180mm(Outer) 309x156mm(Cutout)
LED	Bridgelux



### Product Part Code

HA-DL-GIMBAL-TWIN-60--<BEAM>--<CCT>--<BODY COLOR>

Comes with on/off drivers(Default)

### Also Available with Following Driver

Triac Dimmable

0-10 Analog Dimmable

DALI Dimmable / DALI 2.0

Smart  

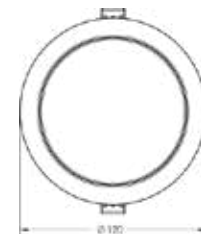


*\*For representational purposes only*

Driver Type to be mentioned with order

## Slim Backlit Downlight Round

Wattage	08W
CCT	3000K / 4000K / 6000K
Body Color	White/ Black
Input Voltage	185-265V
Diffuser	PMMA
CRI	>85
THD	<15
PF	>0.9
Operating Temperature	-10°C to +60°C
Material	Aluminium
Beam Angle	120°
Dimensions	35mm(Height) 120mm(Outer) 100mm(Cutout)
LED	Bridgelux



### Product Part Code

HA-DL-SLIM-8-<BEAM>-<CCT>-<BODY COLOR>

Comes with on/off drivers(Default)

### Also Available with Following Driver

Triac Dimmable

0-10 Analog Dimmable

DALI Dimmable / DALI 2.0

Smart  

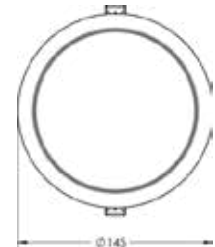


*\*For representational purposes only*

Driver Type to be mentioned with order

## Slim Backlit Downlight Round

Wattage	12W
CCT	3000K / 4000K / 6000K
Body Color	White/ Black
Input Voltage	185-265V
Diffuser	PMMA
CRI	>85
THD	<15
PF	>0.9
Operating Temperature	-10°C to +60°C
Material	Aluminium
Beam Angle	120°
Dimensions	35mm(Height) 145mm(Outer) 125mm(Cutout)
LED	Bridgelux



### Product Part Code

HA-DL-SLIM-12-<BEAM>-<CCT>-<BODY COLOR>

Comes with on/off drivers(Default)

### Also Available with Following Driver

Triac Dimmable

0-10 Analog Dimmable

DALI Dimmable / DALI 2.0

Smart  

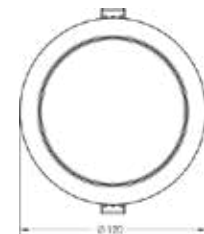


*\*For representational purposes only*

Driver Type to be mentioned with order

## Slim Backlit Downlight Round

Wattage	18W
CCT	3000K / 4000K / 6000K
Body Color	White/ Black
Input Voltage	185-265V
Diffuser	PMMA
CRI	>85
THD	<15
PF	>0.9
Operating Temperature	-10°C to +60°C
Material	Aluminium
Beam Angle	120°
Dimensions	35mm(Height) 120mm(Outer) 100mm(Cutout)
LED	Bridgelux



### Product Part Code

HA-DL-SLIM-18-<BEAM>-<CCT>-<BODY COLOR>

Comes with on/off drivers(Default)

### Also Available with Following Driver

Triac Dimmable

0-10 Analog Dimmable

DALI Dimmable / DALI 2.0

Smart  

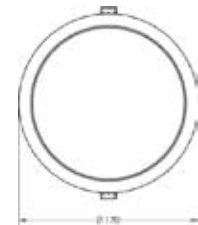
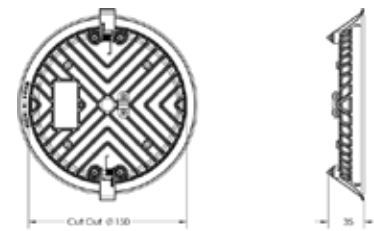


*\*For representational purposes only*

Driver Type to be mentioned with order

## Slim Backlit Downlight Round

Wattage	24W
CCT	3000K / 4000K / 6000K
Body Color	White/ Black
Input Voltage	185-265V
Diffuser	PMMA
CRI	>85
THD	<15
PF	>0.9
Operating Temperature	-10°C to +60°C
Material	Aluminium
Beam Angle	120°
Dimensions	35mm(Height) 170mm(Outer) 150mm(Cutout)
LED	Bridgelux



### Product Part Code

HA-DL-SLIM-24-<BEAM>-<CCT>-<BODY COLOR>

Comes with on/off drivers(Default)

### Also Available with Following Driver

Triac Dimmable

0-10 Analog Dimmable

DALI Dimmable / DALI 2.0

Smart  

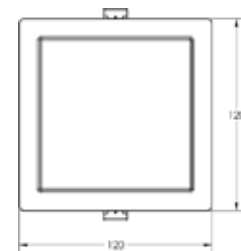
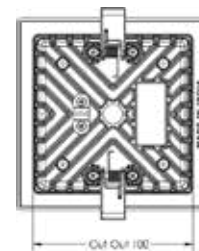


*\*For representational purposes only*

Driver Type to be mentioned with order

## Slim Backlit Downlight Square

Wattage	08W
CCT	3000K / 4000K / 6000K
Body Color	White/ Black
Input Voltage	185-265V
Diffuser	PMMA
CRI	>85
THD	<15
PF	>0.9
Operating Temperature	-10°C to +60°C
Material	Aluminium
Beam Angle	120°
Dimensions	35mm(Height) 120x120mm(Outer) 100x100mm(Cutout)
LED	Bridgelux



### Product Part Code

HA-DL-SQ-SLIM-8-<BEAM>-<CCT>-<BODY COLOR>

Comes with on/off drivers(Default)

### Also Available with Following Driver

Triac Dimmable

0-10 Analog Dimmable

DALI Dimmable / DALI 2.0

Smart  

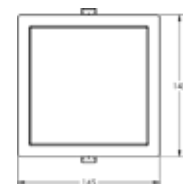
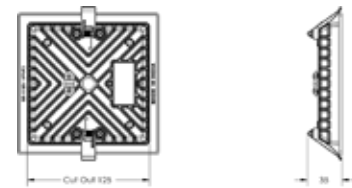


*\*For representational purposes only*

Driver Type to be mentioned with order

## Slim Backlit Downlight Square

Wattage	12W
CCT	3000K / 4000K / 6000K
Body Color	White/ Black
Input Voltage	185-265V
Diffuser	PMMA
CRI	>85
THD	<15
PF	>0.9
Operating Temperature	-10°C to +60°C
Material	Aluminium
Beam Angle	120°
Dimensions	35mm(Height) 145x145mm(Outer) 125mmx125mm(Cutout)
LED	Bridgelux



### Product Part Code

HA-DL-SQ-SLIM-12-<BEAM>-<CCT>-<BODY COLOR>

Comes with on/off drivers(Default)

### Also Available with Following Driver

Triac Dimmable

0-10 Analog Dimmable

DALI Dimmable / DALI 2.0

Smart  

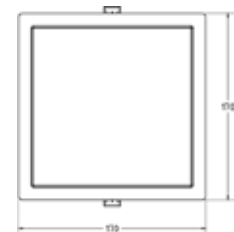
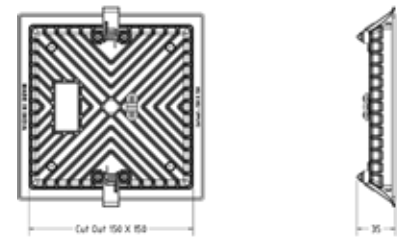


*\*For representational purposes only*

Driver Type to be mentioned with order

## Slim Backlit Downlight Square

Wattage	18W
CCT	3000K / 4000K / 6000K
Body Color	White/ Black
Input Voltage	185-265V
Diffuser	PMMA
CRI	>85
THD	<15
PF	>0.9
Operating Temperature	-10°C to +60°C
Material	Aluminium
Beam Angle	120°
Dimensions	35mm(Height) 170x170mm(Outer) 150x150mm(Cutout)
LED	Bridgelux



### Product Part Code

HA-DL-SQ-SLIM-18-<BEAM>-<CCT>-<BODY COLOR>

Comes with on/off drivers(Default)

### Also Available with Following Driver

Triac Dimmable

0-10 Analog Dimmable

DALI Dimmable / DALI 2.0

Smart  

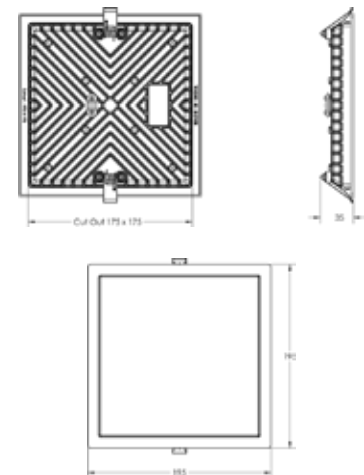
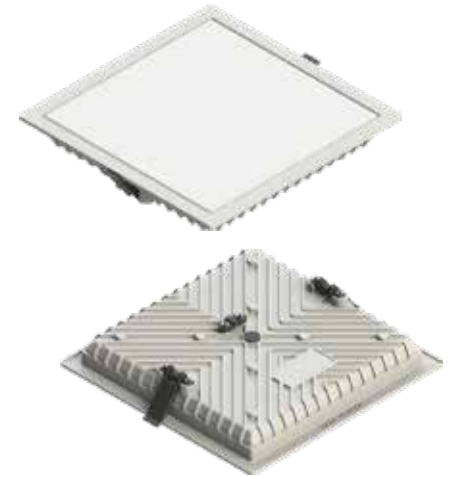


*\*For representational purposes only*

Driver Type to be mentioned with order

## Slim Backlit Downlight Square

Wattage	24W
CCT	3000K / 4000K / 6000K
Body Color	White/ Black
Input Voltage	185-265V
Diffuser	PMMA
CRI	>85
THD	<15
PF	>0.9
Operating Temperature	-10°C to +60°C
Material	Aluminium
Beam Angle	120°
Dimensions	35mm(Height) 195 x 195mm(Outer) 175 x 175mm(Cutout)
LED	Bridgelux



### Product Part Code

HA-DL-SQ-SLIM-24-<BEAM>-<CCT>-<BODY COLOR>

Comes with on/off drivers(Default)

### Also Available with Following Driver

Triac Dimmable

0-10 Analog Dimmable

DALI Dimmable / DALI 2.0

Smart  

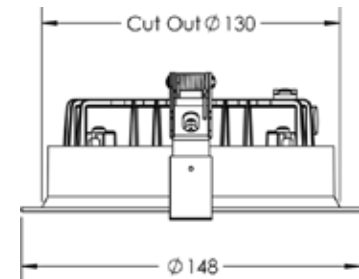
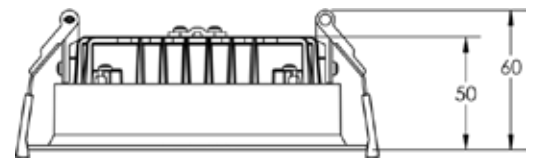
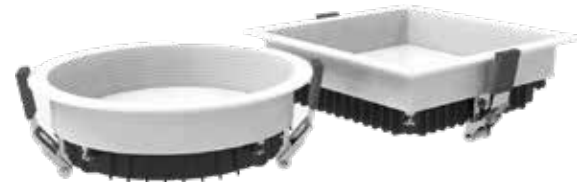


*\*For representational purposes only*

Driver Type to be mentioned with order

## Deep Backlit Downlight Round

Wattage	12W
CCT	3000K / 4000K / 6000K
Body Color	White/ Black
Input Voltage	185-265V
Diffuser	PMMA
CRI	>85
THD	<15
PF	>0.9
Operating Temperature	-10°C to +60°C
Material	Aluminium
Beam Angle	15/24/38/60°
Dimensions	60mm(Height) 148mm(Outer) 130mm(Cutout)
LED	Bridgelux



### Product Part Code

HA-DL-DEEP-12-<BEAM>-<CCT>-<BODY COLOR>

Comes with on/off drivers(Default)

### Also Available with Following Driver

Triac Dimmable

0-10 Analog Dimmable

DALI Dimmable / DALI 2.0

Smart  

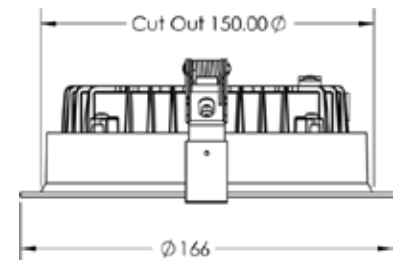
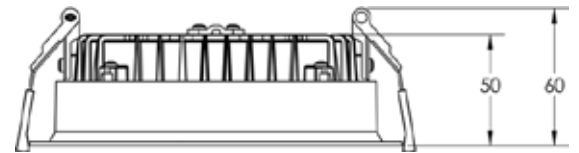
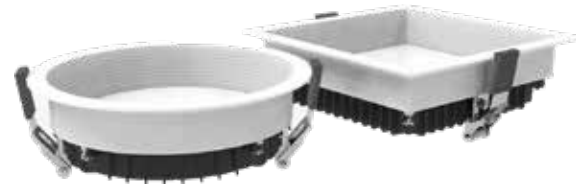


*\*For representational purposes only*

Driver Type to be mentioned with order

## Deep Backlit Downlight Round

Wattage	18W
CCT	3000K / 4000K / 6000K
Body Color	White/ Black
Input Voltage	185-265V
Diffuser	PMMA
CRI	>85
THD	<15
PF	>0.9
Operating Temperature	-10°C to +60°C
Material	Aluminium
Beam Angle	15/24/38/60°
Dimensions	60mm(Height) 166mm(Outer) 150mm(Cutout)
LED	Bridgelux



### Product Part Code

HA-DL-DEEP-18-<BEAM>-<CCT>-<BODY COLOR>

Comes with on/off drivers(Default)

### Also Available with Following Driver

Triac Dimmable

0-10 Analog Dimmable

DALI Dimmable / DALI 2.0

Smart  

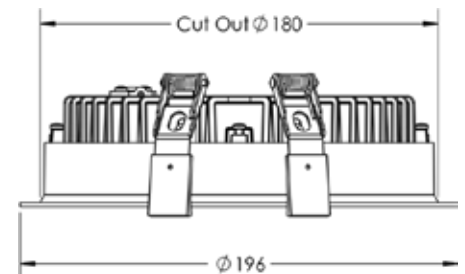
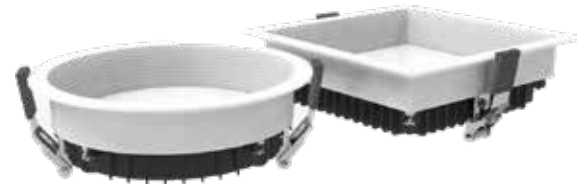


*\*For representational purposes only*

Driver Type to be mentioned with order

## Deep Backlit Downlight Round

Wattage	24W
CCT	3000K / 4000K / 6000K
Body Color	White/ Black
Input Voltage	185-265V
Diffuser	PMMA
CRI	>85
THD	<15
PF	>0.9
Operating Temperature	-10°C to +60°C
Material	Aluminium
Beam Angle	15/24/38/60°
Dimensions	60mm(Height) 196mm(Outer) 180mm(Cutout)
LED	Bridgelux



### Product Part Code

HA-DL-DEEP-24-<BEAM>-<CCT>-<BODY COLOR>

Comes with on/off drivers(Default)

### Also Available with Following Driver

Triac Dimmable

0-10 Analog Dimmable

DALI Dimmable / DALI 2.0

Smart  

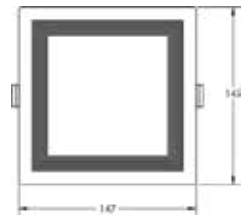
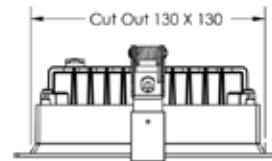
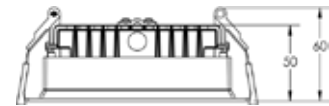
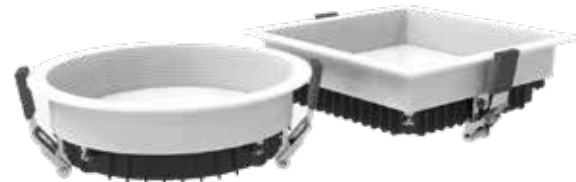


*\*For representational purposes only*

Driver Type to be mentioned with order

## Deep Backlit Downlight Square

Wattage	12W
CCT	3000K / 4000K / 6000K
Body Color	White/ Black
Input Voltage	185-265V
Diffuser	PMMA
CRI	>85
THD	<15
PF	>0.9
Operating Temperature	-10°C to +60°C
Material	Aluminium
Beam Angle	15/24/38/60°
Dimensions	60mm(Height) 148x148mm(Outer) 130x130mm(Cutout)
LED	Bridgelux



### Product Part Code

HA-DL-SQ-DEEP-12-<BEAM>-<CCT>-<BODY COLOR>

Comes with on/off drivers(Default)

### Also Available with Following Driver

Triac Dimmable

0-10 Analog Dimmable

DALI Dimmable / DALI 2.0

Smart  

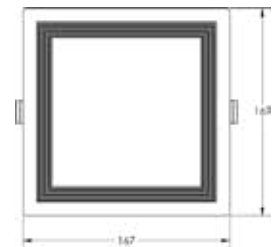
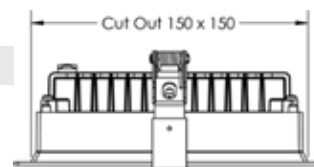
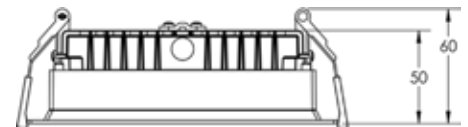
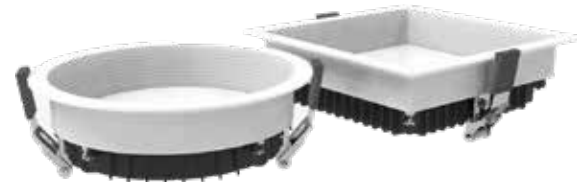


*\*For representational purposes only*

Driver Type to be mentioned with order

## Deep Backlit Downlight Square

Wattage	18W
CCT	3000K / 4000K / 6000K
Body Color	White/ Black
Input Voltage	185-265V
Diffuser	PMMA
CRI	>85
THD	<15
PF	>0.9
Operating Temperature	-10°C to +60°C
Material	Aluminium
Beam Angle	15/24/38/60°
Dimensions	60mm(Height) 167x167mm(Outer) 150x150mm(Cutout)



LED	Bridgelux
-----	-----------

### Product Part Code

HA-DL-SQ-DEEP-18-<BEAM>-<CCT>-<BODY COLOR>

Comes with on/off drivers(Default)

### Also Available with Following Driver

Triac Dimmable

0-10 Analog Dimmable

DALI Dimmable / DALI 2.0

Smart  



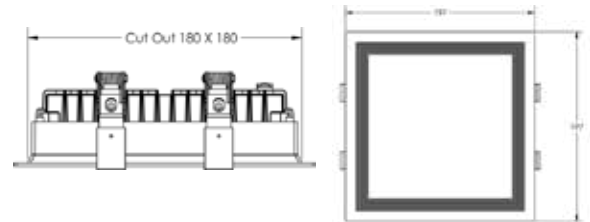
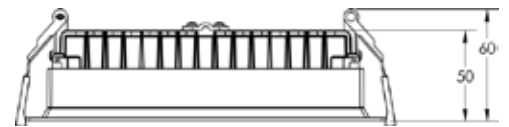
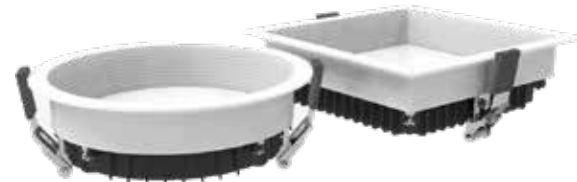
*\*For representational purposes only*

Driver Type to be mentioned with order

## Deep Backlit Downlight Square

Wattage	24W
CCT	3000K / 4000K / 6000K
Body Color	White/ Black
Input Voltage	185-265V
Diffuser	PMMA
CRI	>85
THD	<15
PF	>0.9
Operating Temperature	-10°C to +60°C
Material	Aluminium
Beam Angle	15/24/38/60°
Dimensions	60mm(Height) 169x169mm(Outer) 180x180mm(Cutout)

LED	Bridgelux
-----	-----------



### Product Part Code

HA-DL-SQ-DEEP-24-<BEAM>-<CCT>-<BODY COLOR>

Comes with on/off drivers(Default)

### Also Available with Following Driver

Triac Dimmable

0-10 Analog Dimmable

DALI Dimmable / DALI 2.0

Smart  

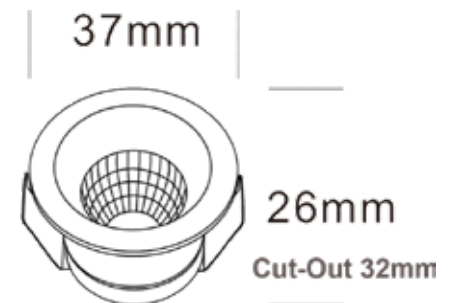


*\*For representational purposes only*

Driver Type to be mentioned with order

## Niche Downlights

Wattage	07W
CCT	3000K / 4000K / 6000K
Body Color	White/ Black / Rose Gold / Champagne / GunMetal
Input Voltage	185-265V
Inner Color	Same as Body Color
CRI	>85
THD	<15
PF	>0.9
Operating Temperature	-10°C to +60°C
Material	Aluminium
Beam Angle	40°
Dimensions	26mm(Height) 37mm(Outer) 32mm(Cutout)
LED	Bridgelux



### Product Part Code

HA-DL-NICHE-3-<BEAM>-<CCT>-<BODY COLOR>

Comes with on/off drivers(Default)

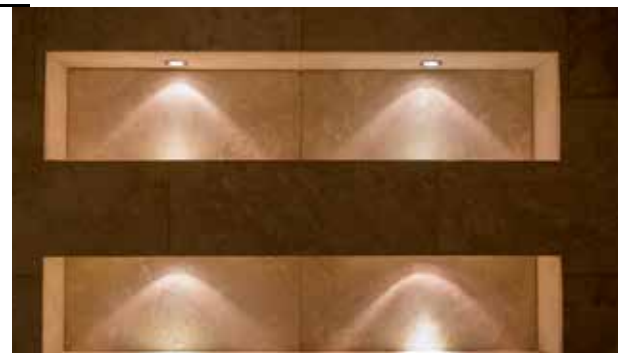
### Also Available with Following Driver

Triac Dimmable

0-10 Analog Dimmable

DALI Dimmable / DALI 2.0

Smart  

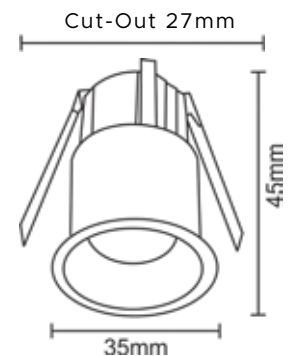


*\*For representational purposes only*

Driver Type to be mentioned with order

## Niche Downlights

Wattage	4W
CCT	3000K / 4000K / 6000K
Body Color	White/ Black
Input Voltage	185-265V
Inner Color	Same as Body Color
CRI	>85
THD	<15
PF	>0.9
Operating Temperature	-10°C to +60°C
Material	Aluminium
Beam Angle	38°
Dimensions	45mm(Height) 35mm(Outer) 27mm(Cutout)
LED	CREE



### Product Part Code

HA-DL-NICHE-4-<BEAM>-<CCT>-<BODY COLOR>

Comes with on/off drivers(Default)

### Also Available with Following Driver

Triac Dimmable

0-10 Analog Dimmable

DALI Dimmable / DALI 2.0

Smart  

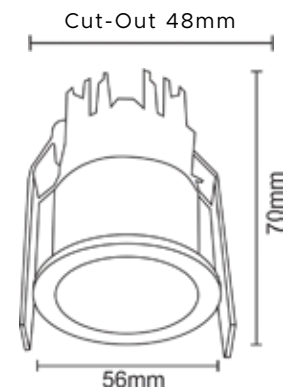


*\*For representational purposes only*

Driver Type to be mentioned with order

## Deep Waterproof Downlights

Wattage	9W
CCT	3000K / 4000K / 6000K
Body Color	White/ Black
Input Voltage	185-265V
Diffuser	White/ Black
CRI	>85
THD	<15
PF	>0.9
Operating Temperature	-10°C to +60°C
Material	Aluminium
Beam Angle	38°
Dimensions	70mm(Height) 56mm(Outer) 48mm(Cutout)
IP	54
LED	CREE



### Product Part Code

HA-DL-0910-09-<BEAM>-<CCT>-<BODY COLOR>

Comes with on/off drivers(Default)

### Also Available with Following Driver

Triac Dimmable

0-10 Analog Dimmable

DALI Dimmable / DALI 2.0

Smart  

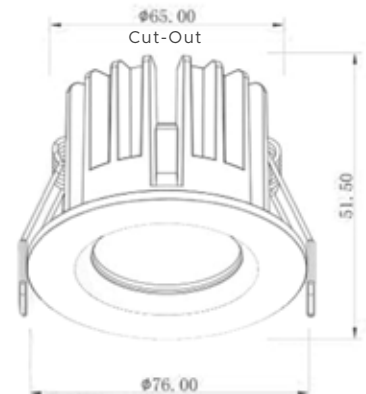


*\*For representational purposes only*

Driver Type to be mentioned with order

## Downlight with Glass Cover

Wattage	14W
CCT	3000K / 4000K / 6000K
Body Color	White/ Black
Input Voltage	185-265V
Reflector	Silver
CRI	>85
THD	<15
PF	>0.9
Operating Temperature	-10°C to +60°C
Material	Aluminium
Beam Angle	38°
Dimensions	51mm(Height) 76mm(Outer) 65mm(Cutout)
LED	CREE



### Product Part Code

HA-DL-05-14-<BEAM>-<CCT>-<BODY COLOR>

Comes with on/off drivers(Default)

### Also Available with Following Driver

Triac Dimmable

0-10 Analog Dimmable

DALI Dimmable / DALI 2.0

Smart  

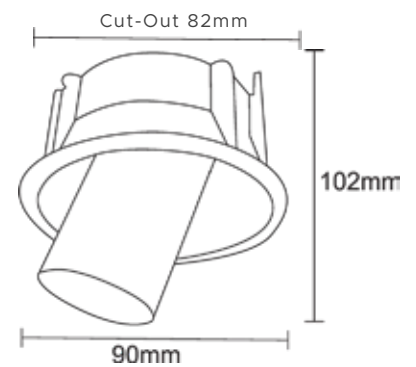


*\*For representational purposes only*

Driver Type to be mentioned with order

## Popout Swivel Downlight

Wattage	14W
CCT	3000K / 4000K / 6000K
Body Color	White/ Black
Input Voltage	185-265V
Inner Color	Black
CRI	>85
THD	<15
PF	>0.9
Operating Temperature	-10°C to +60°C
Material	Aluminium
Beam Angle	120°
Dimensions	102mm(Height) 90mm(Outer) 82mm(Cutout)
LED	CREE



### Product Part Code

HA-DL-0208-14-<BEAM>-<CCT>-<BODY COLOR>

Comes with on/off drivers(Default)

### Also Available with Following Driver

Triac Dimmable

0-10 Analog Dimmable

DALI Dimmable / DALI 2.0

Smart  

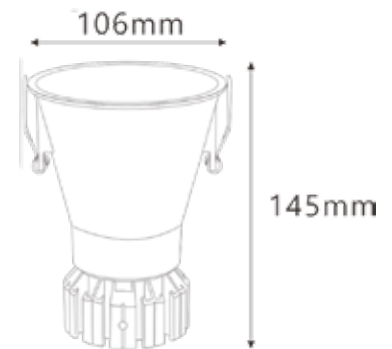


*\*For representational purposes only*

Driver Type to be mentioned with order

## Ultra Deep Downlight

Wattage	16W
CCT	3000K / 4000K / 6000K
Body Color	White/ Black
Input Voltage	185-265V
Inner Color	Same as Body Color
CRI	>85
THD	<15
PF	>0.9
Operating Temperature	-10°C to +60°C
Material	Aluminium
Beam Angle	38°
Dimensions	145mm(Height) 106mm(Width) 100mm(Cutout)
LED	CREE



CUTOUT:D100mm

### Product Part Code

HA-DL-474-16-<BEAM>-<CCT>-<BODY COLOR>

Comes with on/off drivers(Default)

### Also Available with Following Driver

Triac Dimmable

0-10 Analog Dimmable

DALI Dimmable / DALI 2.0

Smart  

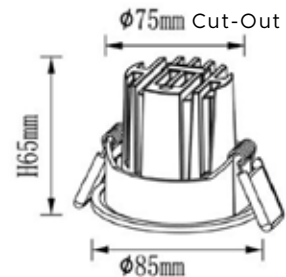


*\*For representational purposes only*

Driver Type to be mentioned with order

## Swivel Downlight with Honeycomb Filter

Wattage	14W
CCT	3000K / 4000K / 6000K
Body Color	White/ Black
Input Voltage	185-265V
Reflector	Gun Metal + Honey Comb
CRI	>85
THD	<15
PF	>0.9
Operating Temperature	-10°C to +60°C
Material	Aluminium
Beam Angle	40°
Dimensions	65mm(Height) 85mm(Outer) 75mm(Cutout)
LED	CREE



### Product Part Code

HA-DL-742-14-<BEAM>-<CCT>-<BODY COLOR>

Comes with on/off drivers(Default)

### Also Available with Following Driver

Triac Dimmable

0-10 Analog Dimmable

DALI Dimmable / DALI 2.0

Smart  

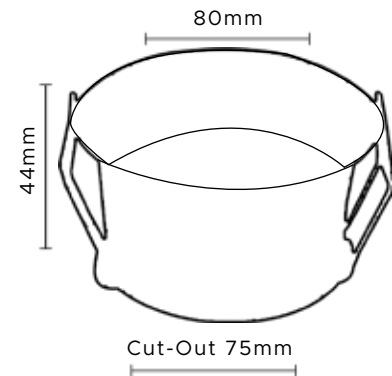


*\*For representational purposes only*

Driver Type to be mentioned with order

## Short Height Downlight

Wattage	10W
CCT	3000K / 4000K / 6000K
Body Color	White/ Black
Input Voltage	185-265V
Diffuser	PMMA
CRI	>85
THD	<15
PF	>0.9
Operating Temperature	-10°C to +60°C
Material	Aluminium
Beam Angle	38°
Dimensions	44mm(Height) 80mm(Outer) 75mm(Cutout)
LED	Bridgelux



### Product Part Code

HA-DL-SPR-10-<BEAM>-<CCT>-<BODY COLOR>

Comes with on/off drivers(Default)

### Also Available with Following Driver

Triac Dimmable

0-10 Analog Dimmable

DALI Dimmable / DALI 2.0

Smart  

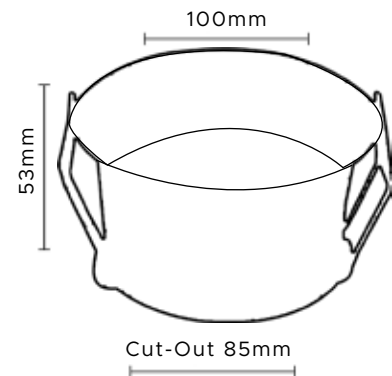


*\*For representational purposes only*

Driver Type to be mentioned with order

## Short Height Downlight

Wattage	18W
CCT	3000K / 4000K / 6000K
Body Color	White/ Black
Input Voltage	185-265V
Diffuser	PMMA
CRI	>85
THD	<15
PF	>0.9
Operating Temperature	-10°C to +60°C
Material	Aluminium
Beam Angle	38°
Dimensions	53mm(Height) 100mm(Outer) 85mm(Cutout)
LED	Bridgelux



### Product Part Code

HA-DL-SPR-18-<BEAM>-<CCT>-<BODY COLOR>

Comes with on/off drivers(Default)

### Also Available with Following Driver

Triac Dimmable

0-10 Analog Dimmable

DALI Dimmable / DALI 2.0

Smart  

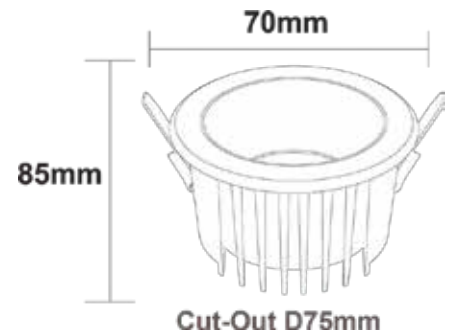


*\*For representational purposes only*

Driver Type to be mentioned with order

## Waterproof Downlight

Wattage	16W
CCT	3000K / 4000K / 6000K
Body Color	White/ Black
Input Voltage	185-265V
Inner Color	Gun Metal
CRI	>85
THD	<15
PF	>0.9
Operating Temperature	-10°C to +60°C
Material	Aluminium
Beam Angle	38°
Dimensions	85mm(Height) 70mm(Outer) 75mm(Cutout)
LED	CREE



### Product Part Code

HA-DL-1114-16-<BEAM>-<CCT>-<BODY COLOR>

Comes with on/off drivers(Default)

### Also Available with Following Driver

Triac Dimmable

0-10 Analog Dimmable

DALI Dimmable / DALI 2.0

Smart  

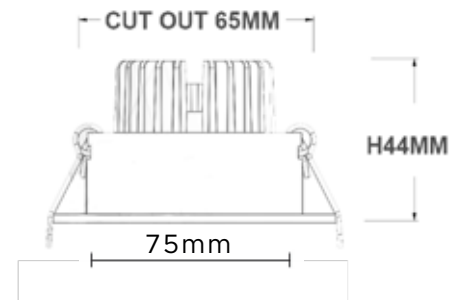


*\*For representational purposes only*

Driver Type to be mentioned with order

## Swivel Compact Downlight

Wattage	09W
CCT	3000K / 4000K / 6000K
Body Color	White/ Black
Input Voltage	185-265V
Reflector	Silver
CRI	>85
THD	<15
PF	>0.9
Operating Temperature	-10°C to +60°C
Material	Aluminium
Beam Angle	60°
Dimensions	44mm(Height) 75mm(Outer) 65mm(Cutout)
LED	CREE



### Product Part Code

HA-DL-07-9-<BEAM>-<CCT>-<BODY COLOR>

Comes with on/off drivers(Default)

### Also Available with Following Driver

Triac Dimmable

0-10 Analog Dimmable

DALI Dimmable / DALI 2.0

Smart  

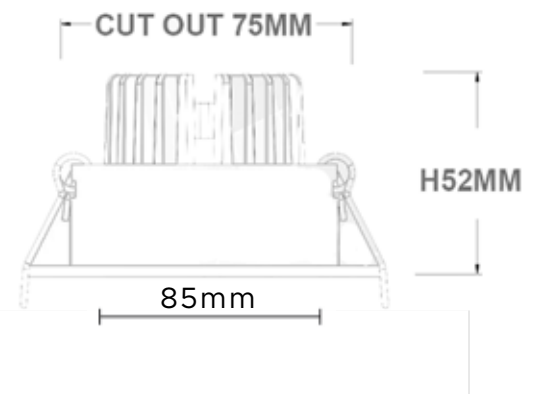


*\*For representational purposes only*

Driver Type to be mentioned with order

## Swivel Compact Downlight

Wattage	14W
CCT	3000K / 4000K / 6000K
Body Color	White/ Black
Input Voltage	185-265V
Reflector	Silver
CRI	>85
THD	<15
PF	>0.9
Operating Temperature	-10°C to +60°C
Material	Aluminium
Beam Angle	60°
Dimensions	52mm(Height) 85mm(Outer) 75mm(Cutout)
LED	CREE



### Product Part Code

HA-DL-07-14-<BEAM>-<CCT>-<BODY COLOR>

Comes with on/off drivers(Default)

### Also Available with Following Driver

Triac Dimmable

0-10 Analog Dimmable

DALI Dimmable / DALI 2.0

Smart  

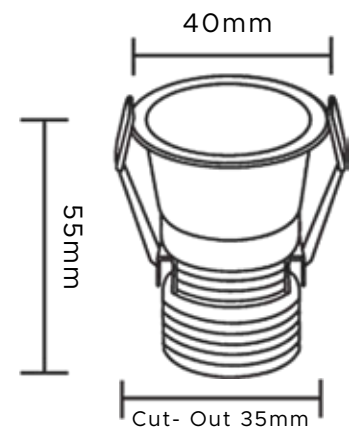


*\*For representational purposes only*

Driver Type to be mentioned with order

## Deep Mini Dia Downlight

Wattage	07W
CCT	3000K / 4000K / 6000K
Body Color	Rose Gold
Input Voltage	185-265V
Inner Color	Rose Gold
CRI	>85
THD	<15
PF	>0.9
Operating Temperature	-10°C to +60°C
Material	Aluminium
Beam Angle	38°
Dimensions	55mm(Height) 40mm(Outer) 35mm(Cutout)
LED	CREE



### Product Part Code

HA-DL-888-7-<BEAM>-<CCT>-<BODY COLOR>

Comes with on/off drivers(Default)

### Also Available with Following Driver

Triac Dimmable

0-10 Analog Dimmable

DALI Dimmable / DALI 2.0

Smart  

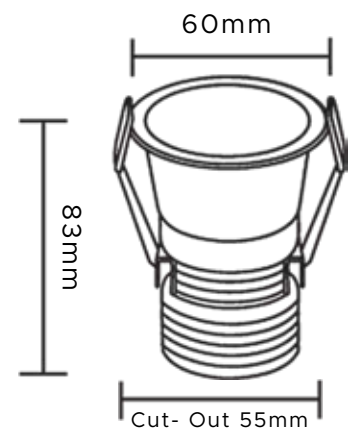


*\*For representational purposes only*

Driver Type to be mentioned with order

## Deep Mini Dia Downlight

Wattage	14W
CCT	3000K / 4000K / 6000K
Body Color	Rose Gold
Input Voltage	185-265V
Inner Color	Rose Gold
CRI	>85
THD	<15
PF	>0.9
Operating Temperature	-10°C to +60°C
Material	Aluminium
Beam Angle	38°
Dimensions	83mm(Height) 60mm(Outer) 55mm(Cutout)
LED	CREE



### Product Part Code

HA-DL-888-14-<BEAM>-<CCT>-<BODY COLOR>

Comes with on/off drivers(Default)

### Also Available with Following Driver

Triac Dimmable

0-10 Analog Dimmable

DALI Dimmable / DALI 2.0

Smart  

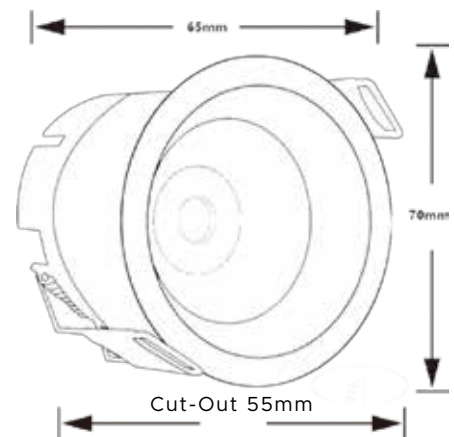


*\*For representational purposes only*

Driver Type to be mentioned with order

## Deep Downlight with Honeycomb

Wattage	7W
CCT	3000K / 4000K / 6000K
Body Color	White / Black
Input Voltage	185-265V
Reflector	White / Black + Grey + Honey Comb
CRI	>85
THD	<15
PF	>0.9
Operating Temperature	-10°C to +60°C
Material	Aluminium
Beam Angle	38°
Dimensions	70mm(Height) 56mm(Outer) 48mm(Cutout)
LED	CREE



### Product Part Code

HA-DL-474-7-<BEAM>-<CCT>-<BODY COLOR>

Comes with on/off drivers(Default)

### Also Available with Following Driver

Triac Dimmable

0-10 Analog Dimmable

DALI Dimmable / DALI 2.0

Smart  

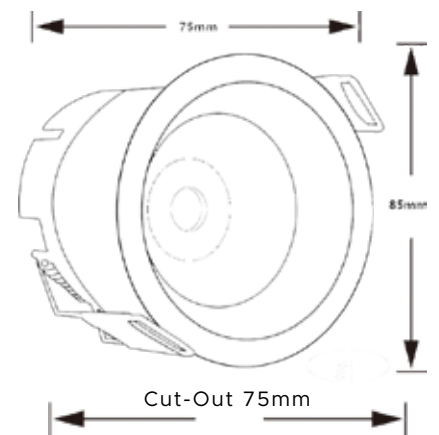


*\*For representational purposes only*

Driver Type to be mentioned with order

## Deep Downlight with Honeycomb

Wattage	14W
CCT	3000K / 4000K / 6000K
Body Color	White / Black
Input Voltage	185-265V
Reflector	White / Black + Grey + Honey Comb
CRI	>85
THD	<15
PF	>0.9
Operating Temperature	-10°C to +60°C
Material	Aluminium
Beam Angle	38°
Dimensions	75mm(Height) 85mm(Outer) 75mm(Cutout)
LED	CREE



### Product Part Code

HA-DL-474-14-<BEAM>-<CCT>-<BODY COLOR>

Comes with on/off drivers(Default)

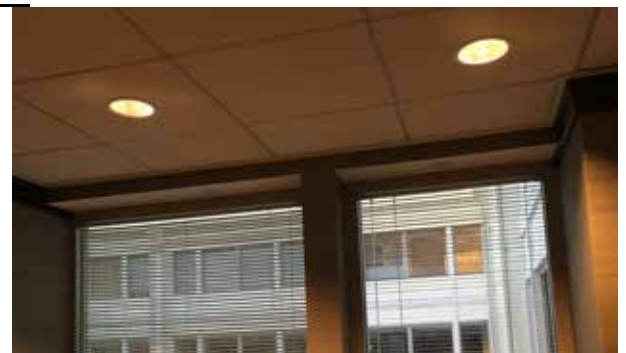
### Also Available with Following Driver

Triac Dimmable

0-10 Analog Dimmable

DALI Dimmable / DALI 2.0

Smart  

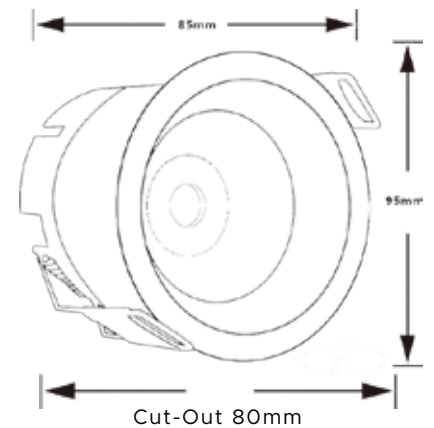


*\*For representational purposes only*

Driver Type to be mentioned with order

## Deep Downlight with Honeycomb

Wattage	21W
CCT	3000K / 4000K / 6000K
Body Color	White / Black
Input Voltage	185-265V
Reflector	White / Black + Grey + Honey Comb
CRI	>85
THD	<15
PF	>0.9
Operating Temperature	-10°C to +60°C
Material	Aluminium
Beam Angle	38°
Dimensions	85mm(Height) 95mm(Outer) 80mm(Cutout)
LED	CREE



### Product Part Code

HA-DL-0208-21-<BEAM>-<CCT>-<BODY COLOR>

Comes with on/off drivers(Default)

### Also Available with Following Driver

Triac Dimmable

0-10 Analog Dimmable

DALI Dimmable / DALI 2.0

Smart  

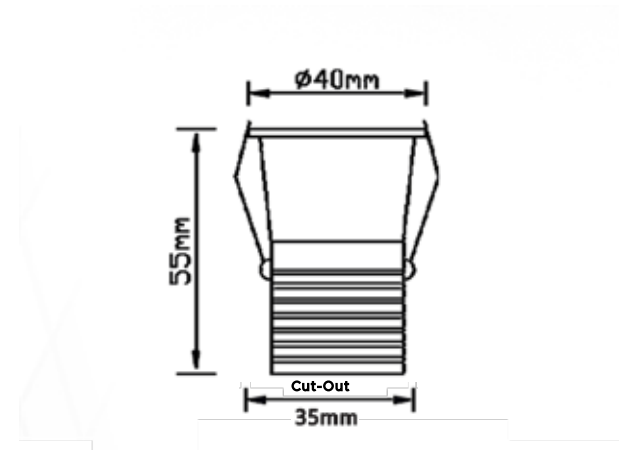


*\*For representational purposes only*

Driver Type to be mentioned with order

## Deep Mini Dia Downlight

Wattage	7W
CCT	3000K / 4000K / 6000K
Body Color	White / Black
Input Voltage	185-265V
Inner Color	Same as Body Color
CRI	>85
THD	<15
PF	>0.9
Operating Temperature	-10°C to +60°C
Material	Aluminium
Beam Angle	38°
Dimensions	55mm(Height) 40mm(Outer) 35mm(Cutout)
LED	CREE



### Product Part Code

HA-DL-333-07-<BEAM>-<CCT>-<BODY COLOR>

Comes with on/off drivers(Default)

### Also Available with Following Driver

Triac Dimmable

0-10 Analog Dimmable

DALI Dimmable / DALI 2.0

Smart  

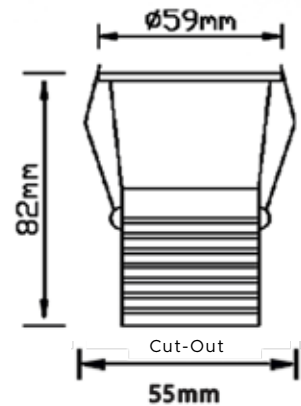


*\*For representational purposes only*

Driver Type to be mentioned with order

## Deep Mini Dia Downlight

Wattage	14W
CCT	3000K / 4000K / 6000K
Body Color	White / Black
Input Voltage	185-265V
Inner Color	Same as Body Color
CRI	>85
THD	<15
PF	>0.9
Operating Temperature	-10°C to +60°C
Material	Aluminium
Beam Angle	38°
Dimensions	82mm(Height) 59mm(Outer) 55mm(Cutout)
LED	CREE



### Product Part Code

HA-DL-333-14-<BEAM>-<CCT>-<BODY COLOR>

Comes with on/off drivers(Default)

### Also Available with Following Driver

Triac Dimmable

0-10 Analog Dimmable

DALI Dimmable / DALI 2.0

Smart  

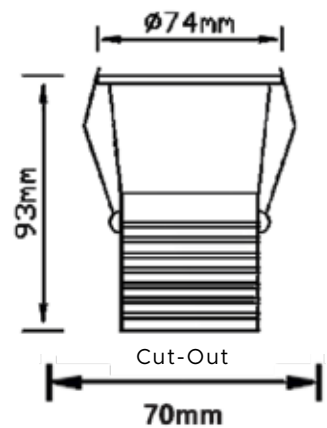


*\*For representational purposes only*

Driver Type to be mentioned with order

## Deep Mini Dia Downlight

Wattage	21W
CCT	3000K / 4000K / 6000K
Body Color	White / Black
Input Voltage	185-265V
Inner Color	Same as Body Color
CRI	>85
THD	<15
PF	>0.9
Operating Temperature	-10°C to +60°C
Material	Aluminium
Beam Angle	38°
Dimensions	93mm(Height) 74mm(Outer) 70mm(Cutout)
LED	CREE



### Product Part Code

HA-DL-333-21-<BEAM>-<CCT>-<BODY COLOR>

Comes with on/off drivers(Default)

### Also Available with Following Driver

Triac Dimmable

0-10 Analog Dimmable

DALI Dimmable / DALI 2.0

Smart  



*\*For representational purposes only*

Driver Type to be mentioned with order

## Deep Downlight

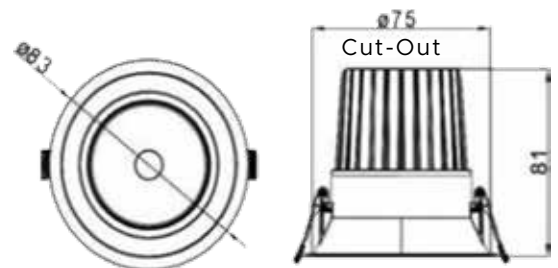
Wattage	9W
CCT	3000K / 4000K / 6000K
Body Color	White / Black
Input Voltage	185-265V
Inner Color	Same as Body Color
CRI	>85
THD	<15
PF	>0.9
Operating Temperature	-10°C to +60°C
Material	Aluminium
Beam Angle	38°
Dimensions	81mm(Height) 83mm(Outer) 75mm(Cutout)
LED	Bridgelux



### Product Part Code

HA-DL-DEEPCOB-09-<BEAM>-<CCT>-<BODY COLOR>

Comes with on/off drivers(Default)



### Also Available with Following Driver

Triac Dimmable

0-10 Analog Dimmable

DALI Dimmable / DALI 2.0

Smart  



*\*For representational purposes only*

Driver Type to be mentioned with order

## Deep Downlight

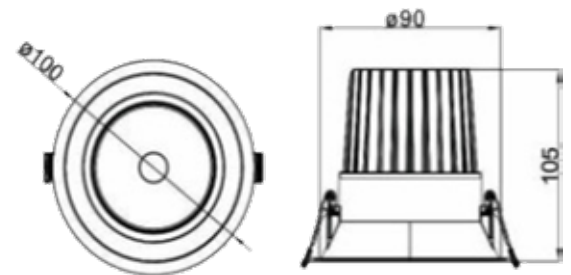
Wattage	16W
CCT	3000K / 4000K / 6000K
Body Color	White / Black
Input Voltage	185-265V
Inner Color	Same as Body Color
CRI	>85
THD	<15
PF	>0.9
Operating Temperature	-10°C to +60°C
Material	Aluminium
Beam Angle	40°
Dimensions	105mm(Height) 100mm(Outer) 90mm(Cutout)
LED	Bridgelux



### Product Part Code

HA-DL-DEEPCOB-16-<BEAM>-<CCT>-<BODY COLOR>

Comes with on/off drivers(Default)



### Also Available with Following Driver

Triac Dimmable

0-10 Analog Dimmable

DALI Dimmable / DALI 2.0

Smart  



*\*For representational purposes only*

Driver Type to be mentioned with order

## Deep Downlight

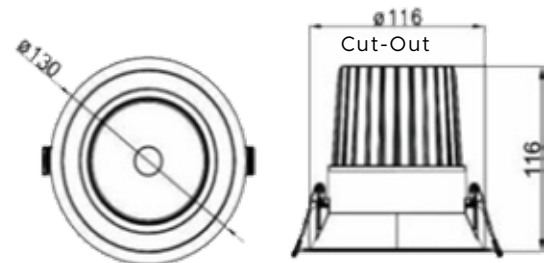
Wattage	24W
CCT	3000K / 4000K / 6000K
Body Color	White / Black
Input Voltage	185-265V
Inner Color	Same as Body Color
CRI	>85
THD	<15
PF	>0.9
Operating Temperature	-10°C to +60°C
Material	Aluminium
Beam Angle	40°
Dimensions	116mm(Height) 130mm(Outer) 116mm(Cutout)
LED	Bridgelux



### Product Part Code

HA-DL-DEEPCOB-24-<BEAM>-<CCT>-<BODY COLOR>

Comes with on/off drivers(Default)



### Also Available with Following Driver

Triac Dimmable

0-10 Analog Dimmable

DALI Dimmable / DALI 2.0

Smart  



*\*For representational purposes only*

Driver Type to be mentioned with order

## Deep Downlight

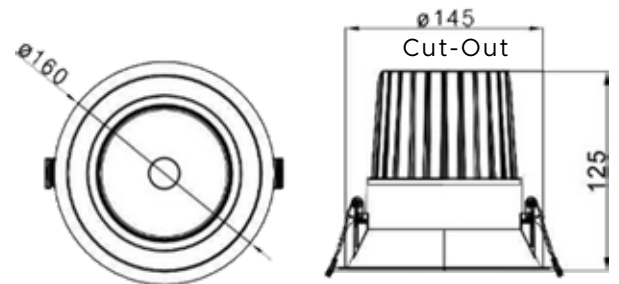
Wattage	35W
CCT	3000K / 4000K / 6000K
Body Color	White / Black
Input Voltage	185-265V
Inner Color	Same as Body Color
CRI	>85
THD	<15
PF	>0.9
Operating Temperature	-10°C to +60°C
Material	Aluminium
Beam Angle	40°
Dimensions	125mm(Height) 160mm(Outer) 145mm(Cutout)
LED	Bridgelux



### Product Part Code

HA-DL-DEEPCOB-35-<BEAM>-<CCT>-<BODY COLOR>

Comes with on/off drivers(Default)



### Also Available with Following Driver

Triac Dimmable

0-10 Analog Dimmable

DALI Dimmable / DALI 2.0

Smart  

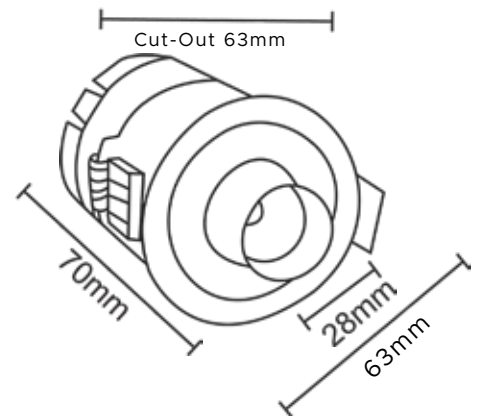


*\*For representational purposes only*

Driver Type to be mentioned with order

## Swivel Popout Mini Downlight

Wattage	07W
CCT	3000K / 4000K / 6000K
Body Color	White / Black
Input Voltage	185-265V
Inner Color	Black
CRI	>85
THD	<15
PF	>0.9
Operating Temperature	-10°C to +60°C
Material	Aluminium
Beam Angle	36°
Dimensions	70mm(Height) 63mm(Outer) 63mm(Cutout)
LED	CREE



### Product Part Code

HA-DL-8407-7-<BEAM>-<CCT>-<BODY COLOR>

Comes with on/off drivers(Default)

### Also Available with Following Driver

Triac Dimmable

0-10 Analog Dimmable

DALI Dimmable / DALI 2.0

Smart  

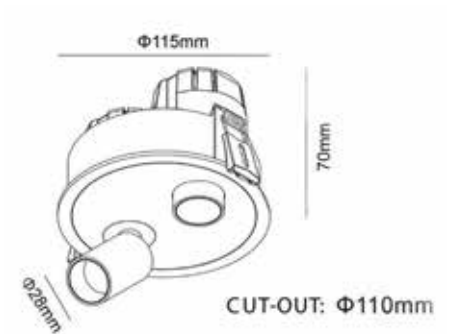


*\*For representational purposes only*

Driver Type to be mentioned with order

## Swivel Popout Mini Twin Round Downlight

Wattage	14W
CCT	3000K / 4000K / 6000K
Body Color	White / Black
Input Voltage	185-265V
Inner Color	Black
CRI	>85
THD	<15
PF	>0.9
Operating Temperature	-10°C to +60°C
Material	Aluminium
Beam Angle	36°
Dimensions	70mm(Height) 115mm(Outer) 110mm(Cutout)
LED	CREE



### Product Part Code

HA-DL-7407-14-<BEAM>-<CCT>-<BODY COLOR>

Comes with on/off drivers(Default)

### Also Available with Following Driver

Triac Dimmable

0-10 Analog Dimmable

DALI Dimmable / DALI 2.0

Smart  

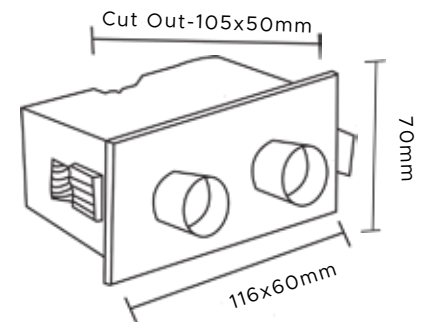


*\*For representational purposes only*

Driver Type to be mentioned with order

## Swivel Popout Mini Twin Downlight

Wattage	14W
CCT	3000K / 4000K / 6000K
Body Color	White / Black
Input Voltage	185-265V
Inner Color	Black
CRI	>85
THD	<15
PF	>0.9
Operating Temperature	-10°C to +60°C
Material	Aluminium
Beam Angle	36°
Dimensions	70mm(Height) 116x60mm(Outer) 105x50mm(Cutout)
LED	CREE



### Product Part Code

HA-DL-8407-TWIN-14-<BEAM>-<CCT>-<BODY COLOR>

Comes with on/off drivers(Default)

### Also Available with Following Driver

Triac Dimmable

0-10 Analog Dimmable

DALI Dimmable / DALI 2.0

Smart  

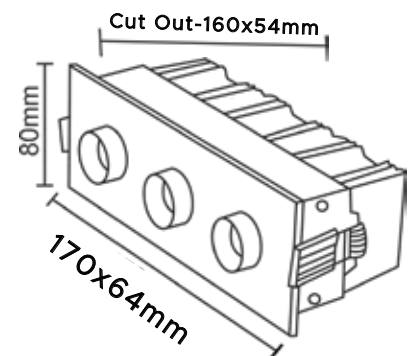


*\*For representational purposes only*

Driver Type to be mentioned with order

## Swivel Popout Mini Triple Downlight

Wattage	21W
CCT	3000K / 4000K / 6000K
Body Color	White / Black
Input Voltage	185-265V
Inner Color	Black
CRI	>85
THD	<15
PF	>0.9
Operating Temperature	-10°C to +60°C
Material	Aluminium
Beam Angle	38°
Dimensions	80mm(Height) 170x64mm(Outer) 160x54mm(Cutout)
LED	CREE



### Product Part Code

HA-DL-8407-TRIPLE-21-<BEAM>-<CCT>-<BODY COLOR>

Comes with on/off drivers(Default)

### Also Available with Following Driver

Triac Dimmable

0-10 Analog Dimmable

DALI Dimmable / DALI 2.0

Smart  

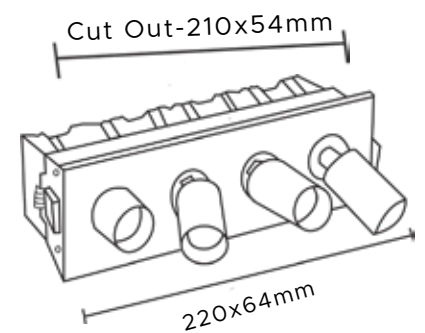


*\*For representational purposes only*

Driver Type to be mentioned with order

## Swivel Popout Mini Quadruple Downlight

Wattage	28W
CCT	3000K / 4000K / 6000K
Body Color	White / Black
Input Voltage	185-265V
Inner Color	Black
CRI	>85
THD	<15
PF	>0.9
Operating Temperature	-10°C to +60°C
Material	Aluminium
Beam Angle	36°
Dimensions	80mm(Height) 220x64mm(Outer) 210x54mm(Cutout)
LED	CREE



### Product Part Code

HA-DL-8407-QUAD-28-<BEAM>-<CCT>-<BODY COLOR>

Comes with on/off drivers(Default)

### Also Available with Following Driver

Triac Dimmable

0-10 Analog Dimmable

DALI Dimmable / DALI 2.0

Smart  

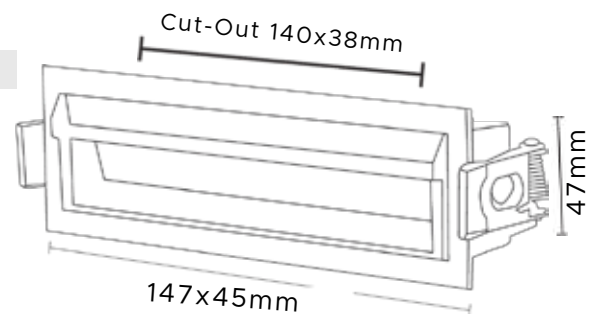


*\*For representational purposes only*

Driver Type to be mentioned with order

## Matrix Wallwasher

Wattage	15W
CCT	3000K / 4000K / 6000K
Body Color	White / Black
Input Voltage	185-265V
Inner Color	Black
CRI	>85
THD	<15
PF	>0.9
Operating Temperature	-10°C to +60°C
Material	Aluminium
Beam Angle	120°
Dimensions	47mm(Height) 147x45mm(Outer) 140x38mm(Cutout)
LED	Osram



### Product Part Code

HA-DL-PNRWW-15-<BEAM>-<CCT>-<BODY COLOR>

Comes with on/off drivers(Default)

### Also Available with Following Driver

Triac Dimmable

0-10 Analog Dimmable

DALI Dimmable / DALI 2.0

Smart  

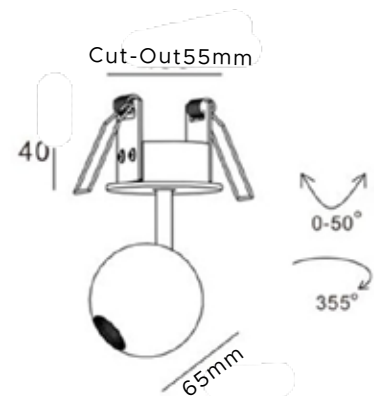


*\*For representational purposes only*

Driver Type to be mentioned with order

## Eyeball Popout Downlight

Wattage	7W
CCT	3000K / 4000K / 6000K
Body Color	Rose Gold / Black
Input Voltage	185-265V
Reflector	Silver
CRI	>85
THD	<15
PF	>0.9
Operating Temperature	-10°C to +60°C
Material	Aluminium
Beam Angle	38°
Dimensions	40mm(Height) 65mm(Outer) 55mm(Cutout)
LED	CREE



### Product Part Code

HA-DL-110422-7-<BEAM>-<CCT>-<BODY COLOR>

Comes with on/off drivers(Default)

### Also Available with Following Driver

Triac Dimmable

0-10 Analog Dimmable

DALI Dimmable / DALI 2.0

Smart  

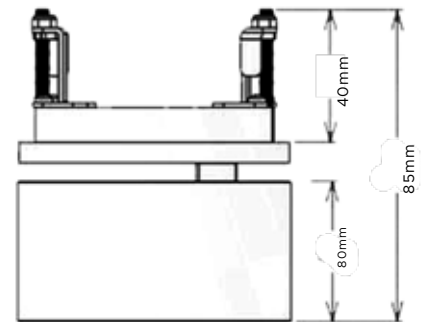


*\*For representational purposes only*

Driver Type to be mentioned with order

## Semi Concealed Zoom Downlight

Wattage	14W
CCT	3000K / 4000K / 6000K
Body Color	White / Black
Input Voltage	185-265V
Inner Color	Same as Body Color
CRI	>85
THD	<15
PF	>0.9
Operating Temperature	-10°C to +60°C
Material	Aluminium
Beam Angle	38°
Dimensions	40mm(Height) 85mm(Outer) 80mm(Cutout)
LED	CREE



### Product Part Code

HA-DL-3514-14-<BEAM>-<CCT>-<BODY COLOR>

Comes with on/off drivers(Default)

### Also Available with Following Driver

Triac Dimmable

0-10 Analog Dimmable

DALI Dimmable / DALI 2.0

Smart  



*\*For representational purposes only*

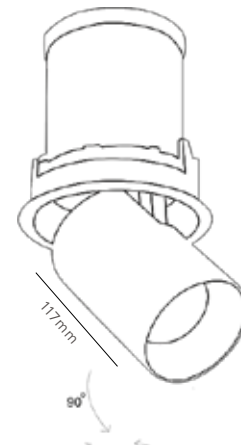
Driver Type to be mentioned with order

## Single Round Popout Downlight

Wattage	14W
CCT	3000K / 4000K / 6000K
Body Color	White + Black
Input Voltage	185-265V
Inner Color	Black
CRI	>85
THD	<15
PF	>0.9
Operating Temperature	-10°C to +60°C
Material	Aluminium
Beam Angle	38°
Dimensions	117mm(Height) 100mm(Outer) 92mm(Cutout)
LED	CREE



Cut-Out 92mm



### Product Part Code

HA-DL-786-14-<BEAM>-<CCT>-<BODY COLOR>

Comes with on/off drivers(Default)

### Also Available with Following Driver

Triac Dimmable

0-10 Analog Dimmable

DALI Dimmable / DALI 2.0

Smart  



*\*For representational purposes only*

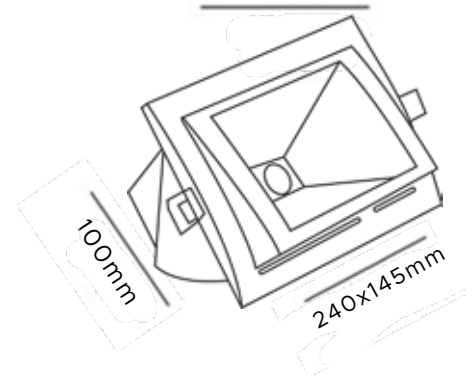
Driver Type to be mentioned with order

## Shop Zoomlight

Wattage	56W
CCT	3000K / 4000K / 6000K
Body Color	White / Black
Input Voltage	185-265V
Inner Color	Same as body Color
CRI	>85
THD	<15
PF	>0.9
Operating Temperature	-10°C to +60°C
Material	Aluminium
Beam Angle	38°
Dimensions	100mm(Height) 240x145mm(Outer) 215x105mm(Cutout)
LED	CREE



Cut-Out 215x105mm



### Product Part Code

HA-DL-ZOOM-56-<BEAM>-<CCT>-<BODY COLOR>

Comes with on/off drivers(Default)

### Also Available with Following Driver

Triac Dimmable

0-10 Analog Dimmable

DALI Dimmable / DALI 2.0

Smart  

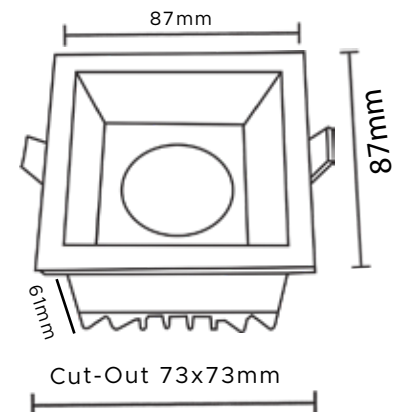


*\*For representational purposes only*

Driver Type to be mentioned with order

## Single Square COB Downlight

Wattage	14W
CCT	3000K / 4000K / 6000K
Body Color	White / Black
Input Voltage	185-265V
Inner Color	Black
CRI	>85
THD	<15
PF	>0.9
Operating Temperature	-10°C to +60°C
Material	Aluminium
Beam Angle	45°
Dimensions	116mm(Height) 87x87mm(Outer) 73x73mm(Cutout)
LED	CREE



### Product Part Code

HA-DL-4111-14-<BEAM>-<CCT>-<BODY COLOR>

Comes with on/off drivers(Default)

### Also Available with Following Driver

Triac Dimmable

0-10 Analog Dimmable

DALI Dimmable / DALI 2.0

Smart  

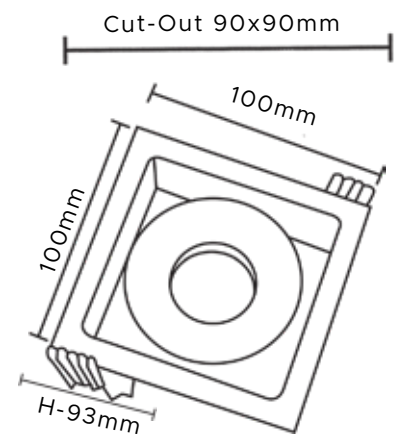
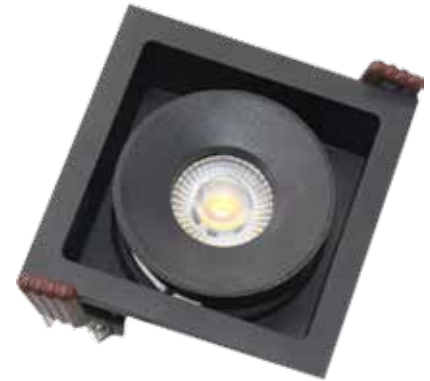


*\*For representational purposes only*

Driver Type to be mentioned with order

## Single Swivel Downlight

Wattage	12W
CCT	3000K / 4000K / 6000K
Body Color	White/ Black
Input Voltage	185-265V
Inner Color	Black
CRI	>85
THD	<15
PF	>0.9
Operating Temperature	-10°C to +60°C
Material	Aluminium
Beam Angle	40°
Dimensions	93mm(Height) 100x100mm(Outer) 90x90mm(Cutout)
LED	CREE



### Product Part Code

HA-DL-0409-12-<BEAM>-<CCT>-<BODY COLOR>

Comes with on/off drivers(Default)

### Also Available with Following Driver

Triac Dimmable

0-10 Analog Dimmable

DALI Dimmable / DALI 2.0

Smart  

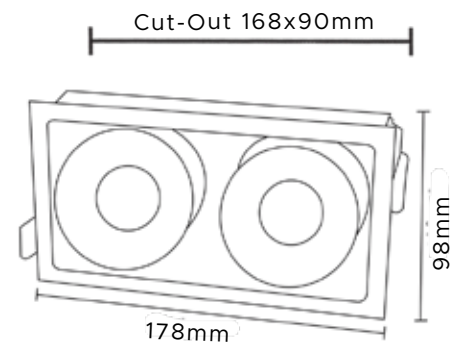


*\*For representational purposes only*

Driver Type to be mentioned with order

## Twin Swivel Downlight

Wattage	24W
CCT	3000K / 4000K / 6000K
Body Color	White/ Black
Input Voltage	185-265V
Inner Color	Black
CRI	>85
THD	<15
PF	>0.9
Operating Temperature	-10°C to +60°C
Material	Aluminium
Beam Angle	38°
Dimensions	93mm(Height) 178x90mm(Outer) 168x90mm(Cutout)
LED	CREE



### Product Part Code

HA-DL-0409-24-<BEAM>-<CCT>-<BODY COLOR>

Comes with on/off drivers(Default)

### Also Available with Following Driver

Triac Dimmable

0-10 Analog Dimmable

DALI Dimmable / DALI 2.0

Smart  

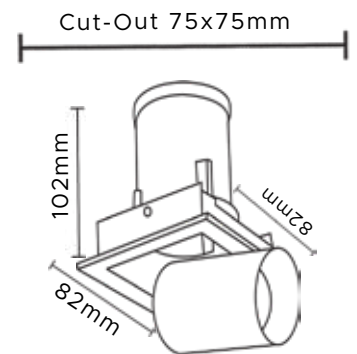


*\*For representational purposes only*

Driver Type to be mentioned with order

## Single Square Zoom Popout

Wattage	14W
CCT	3000K / 4000K / 6000K
Body Color	White / Black
Input Voltage	185-265V
Inner Color	Black
CRI	>85
THD	<15
PF	>0.9
Operating Temperature	-10°C to +60°C
Material	Aluminium
Beam Angle	38°
Dimensions	102mm(Height) 82x82mm(Outer) 75x75mm(Cutout)
LED	CREE



### Product Part Code

HA-DL-78699-14-<BEAM>-<CCT>-<BODY COLOR>

Comes with on/off drivers(Default)

### Also Available with Following Driver

Triac Dimmable

0-10 Analog Dimmable

DALI Dimmable / DALI 2.0

Smart  

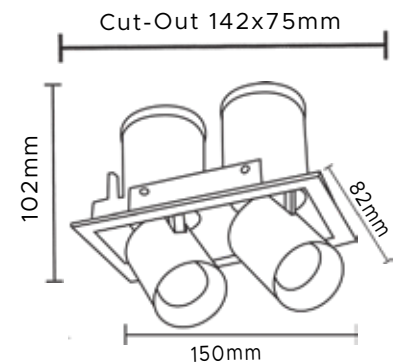


*\*For representational purposes only*

Driver Type to be mentioned with order

## Twin Zoom Popout

Wattage	28W
CCT	3000K / 4000K / 6000K
Body Color	White / Black
Input Voltage	185-265V
Inner Color	Black
CRI	>85
THD	<15
PF	>0.9
Operating Temperature	-10°C to +60°C
Material	Aluminium
Beam Angle	38°
Dimensions	102mm(Height) 150x82mm(Outer) 142x75mm(Cutout)
LED	CREE



### Product Part Code

HA-DL-78699-TWIN-28-<BEAM>-<CCT>-<BODY COLOR>

Comes with on/off drivers(Default)

### Also Available with Following Driver

Triac Dimmable

0-10 Analog Dimmable

DALI Dimmable / DALI 2.0

Smart  

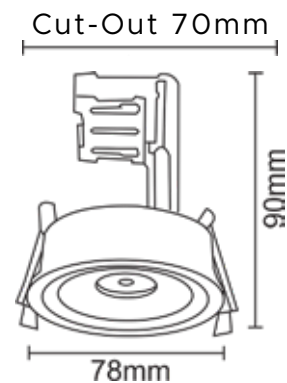
Driver Type to be mentioned with order



*\*For representational purposes only*

## Single Round Eyeball Downlight

Wattage	10W
CCT	3000K / 4000K / 6000K
Body Color	White / Black
Input Voltage	185-265V
Inner Color	Same as Body Color
CRI	>85
THD	<15
PF	>0.9
Operating Temperature	-10°C to +60°C
Material	Aluminium
Beam Angle	45°
Dimensions	90mm(Height) 78mm(Outer) 70mm(Cutout)
LED	CREE



### Product Part Code

HA-DL-0121-10-<BEAM>-<CCT>-<BODY COLOR>

Comes with on/off drivers(Default)

### Also Available with Following Driver

Triac Dimmable

0-10 Analog Dimmable

DALI Dimmable / DALI 2.0

Smart  

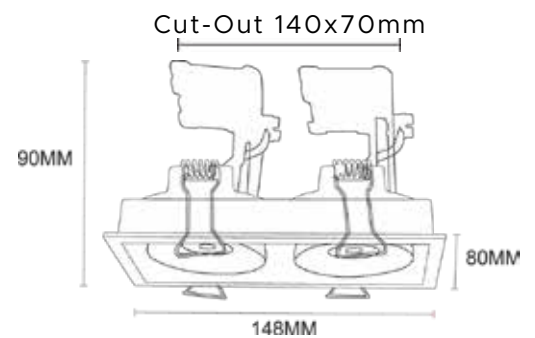


*\*For representational purposes only*

Driver Type to be mentioned with order

## Twin Eyeball Downlight

Wattage	20W
CCT	3000K / 4000K / 6000K
Body Color	White / Black
Input Voltage	185-265V
Inner Color	Same as Body Color
CRI	>85
THD	<15
PF	>0.9
Operating Temperature	-10°C to +60°C
Material	Aluminium
Beam Angle	36°
Dimensions	90mm(Height) 148x80mm(Outer) 140x70mm(Cutout)
LED	CREE



### Product Part Code

HA-DL0121-TWIN-20-<BEAM>-<CCT>-<BODY COLOR>

Comes with on/off drivers(Default)

### Also Available with Following Driver

Triac Dimmable

0-10 Analog Dimmable

DALI Dimmable / DALI 2.0

Smart  

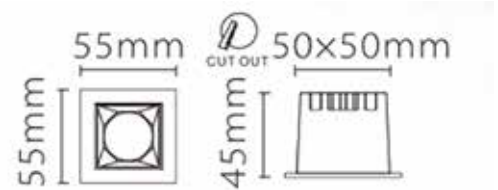


*\*For representational purposes only*

Driver Type to be mentioned with order

## Matrix Single

Wattage	06W
CCT	3000K / 4000K / 6000K
Body Color	White / Black
Input Voltage	185-265V
Inner Color	Gunmetal
CRI	>85
THD	<15
PF	>0.9
Operating Temperature	-10°C to +60°C
Material	Aluminium
Beam Angle	38°
Dimensions	45mm(Height) 55x55mm(Outer) 50x50mm(Cutout)
LED	Osram



### Product Part Code

HA-DL-MATRIX-6-<BEAM>-<CCT>-<BODY COLOR>

Comes with on/off drivers(Default)

### Also Available with Following Driver

Triac Dimmable

0-10 Analog Dimmable

DALI Dimmable / DALI 2.0

Smart  

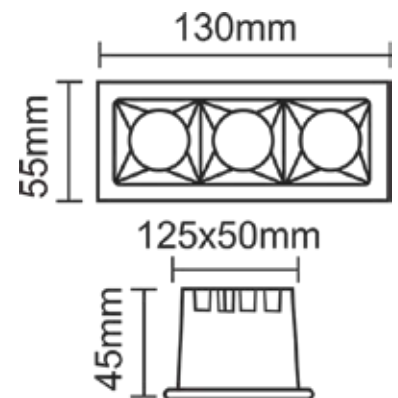


*\*For representational purposes only*

Driver Type to be mentioned with order

## Matrix Triple

Wattage	12W
CCT	3000K / 4000K / 6000K
Body Color	White / Black
Input Voltage	185-265V
Inner Color	Gunmetal
CRI	>85
THD	<15
PF	>0.9
Operating Temperature	-10°C to +60°C
Material	Aluminium
Beam Angle	38°
Dimensions	45mm(Height) 130x55mm(Outer) 125x50mm(Cutout)
LED	Osram



### Product Part Code

HA-DL-MATRIX-12-<BEAM>-<CCT>-<BODY COLOR>

Comes with on/off drivers(Default)

### Also Available with Following Driver

Triac Dimmable

0-10 Analog Dimmable

DALI Dimmable / DALI 2.0

Smart  

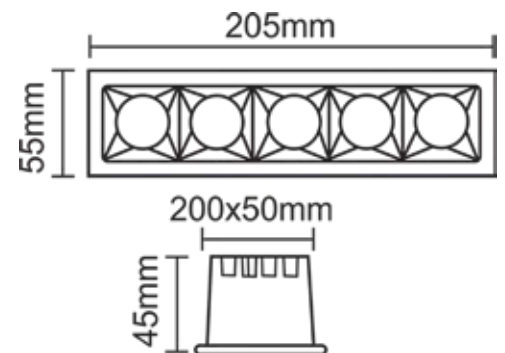


*\*For representational purposes only*

Driver Type to be mentioned with order

## Matrix 5

Wattage	24W
CCT	3000K / 4000K / 6000K
Body Color	White/ Black
Input Voltage	185-265V
Inner Color	Gunmetal
CRI	>85
THD	<15
PF	>0.9
Operating Temperature	-10°C to +60°C
Material	Aluminium
Beam Angle	38°
Dimensions	45mm(Height) 205x55mm(Outer) 200x50mm(Cutout)
LED	Osram



### Product Part Code

HA-DL-3514-14-<BEAM>-<CCT>-<BODY COLOR>

Comes with on/off drivers(Default)

### Also Available with Following Driver

Triac Dimmable

0-10 Analog Dimmable

DALI Dimmable / DALI 2.0

Smart  

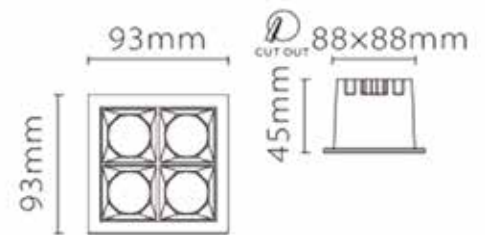


*\*For representational purposes only*

Driver Type to be mentioned with order

## Matrix 2x2

Wattage	18W
CCT	3000K / 4000K / 6000K
Body Color	White / Black
Input Voltage	185-265V
Inner Color	Gunmetal
CRI	>85
THD	<15
PF	>0.9
Operating Temperature	-10°C to +60°C
Material	Aluminium
Beam Angle	38°
Dimensions	45mm(Height) 93x93mm(Outer) 88x88mm(Cutout)
LED	Osram



### Product Part Code

HA-DL-MATRIX-2X2-18-<BEAM>-<CCT>-<BODY COLOR>

Comes with on/off drivers(Default)

### Also Available with Following Driver

Triac Dimmable

0-10 Analog Dimmable

DALI Dimmable / DALI 2.0

Smart  

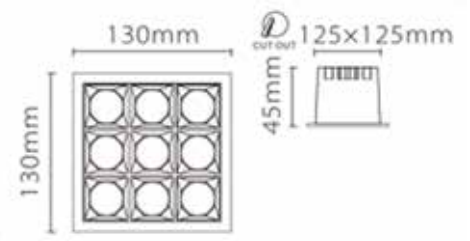


*\*For representational purposes only*

Driver Type to be mentioned with order

## Matrix 3x3

Wattage	40W
CCT	3000K / 4000K / 6000K
Body Color	White / Black
Input Voltage	185-265V
Inner Color	Gunmetal
CRI	>85
THD	<15
PF	>0.9
Operating Temperature	-10°C to +60°C
Material	Aluminium
Beam Angle	38°
Dimensions	45mm(Height) 130x130mm(Outer) 125x125mm(Cutout)
LED	Osram



### Product Part Code

HA-DL-MATRIX-3X3-40-<BEAM>-<CCT>-<BODY COLOR>

Comes with on/off drivers(Default)

### Also Available with Following Driver

Triac Dimmable

0-10 Analog Dimmable

DALI Dimmable / DALI 2.0

Smart  

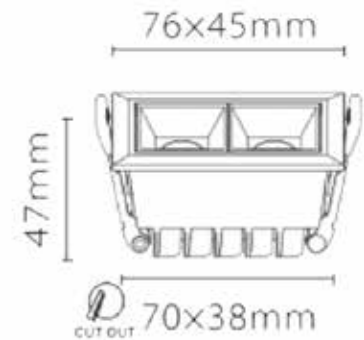


*\*For representational purposes only*

Driver Type to be mentioned with order

## Matrix PNR

Wattage	08W
CCT	3000K / 4000K / 6000K
Body Color	White / Black
Input Voltage	185-265V
Inner Color	Black
CRI	>85
THD	<15
PF	>0.9
Operating Temperature	-10°C to +60°C
Material	Aluminium
Beam Angle	45°
Dimensions	47mm(Height) 76x45mm(Outer) 70x38mm(Cutout)
LED	CREE



### Product Part Code

HA-DL-MATRIX-PNR-8-<BEAM>-<CCT>-<BODY COLOR>

Comes with on/off drivers(Default)

### Also Available with Following Driver

Triac Dimmable

0-10 Analog Dimmable

DALI Dimmable / DALI 2.0

Smart  

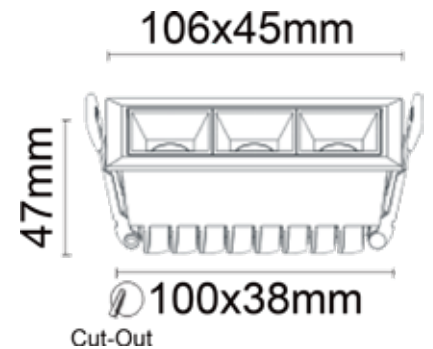


*\*For representational purposes only*

Driver Type to be mentioned with order

## Matrix PNR

Wattage	12W
CCT	3000K / 4000K / 6000K
Body Color	White / Black
Input Voltage	185-265V
Inner Color	Black
CRI	>85
THD	<15
PF	>0.9
Operating Temperature	-10°C to +60°C
Material	Aluminium
Beam Angle	40°
Dimensions	47mm(Height) 106x45mm(Outer) 100x38mm(Cutout)
LED	CREE



### Product Part Code

HA-DL-MATRIX-PNR-12-<BEAM>-<CCT>-<BODY COLOR>

Comes with on/off drivers(Default)

### Also Available with Following Driver

Triac Dimmable

0-10 Analog Dimmable

DALI Dimmable / DALI 2.0

Smart  

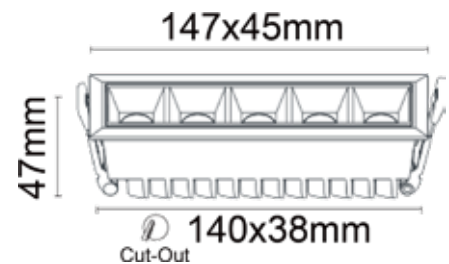


*\*For representational purposes only*

Driver Type to be mentioned with order

## Matrix PNR

Wattage	20W
CCT	3000K / 4000K / 6000K
Body Color	White / Black
Input Voltage	185-265V
Inner Color	Black
CRI	>85
THD	<15
PF	>0.9
Operating Temperature	-10°C to +60°C
Material	Aluminium
Beam Angle	45°
Dimensions	47mm(Height) 147x45mm(Outer) 140x38mm(Cutout)
LED	CREE



### Product Part Code

HA-DL-MATRIX-PNR-20-<BEAM>-<CCT>-<BODY COLOR>

Comes with on/off drivers(Default)

### Also Available with Following Driver

Triac Dimmable

0-10 Analog Dimmable

DALI Dimmable / DALI 2.0

Smart  

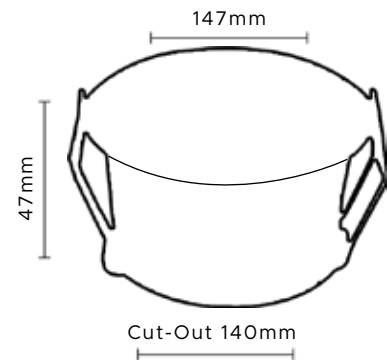


*\*For representational purposes only*

Driver Type to be mentioned with order

## Compact SMD Deep Downlight

Wattage	10W
CCT	3000K / 4000K / 6000K
Body Color	White / Black
Input Voltage	185-265V
Diffuser	PMMA
CRI	>85
THD	<15
PF	>0.9
Operating Temperature	-10°C to +60°C
Material	Aluminium
Beam Angle	120°
Dimensions	47mm(Height) 147mm(Outer) 140mm(Cutout)
LED	Bridgelux



### Product Part Code

HA-DL-SPR-SMD-10-<BEAM>-<CCT>-<BODY COLOR>

Comes with on/off drivers(Default)

### Also Available with Following Driver

Triac Dimmable

0-10 Analog Dimmable

DALI Dimmable / DALI 2.0

Smart  

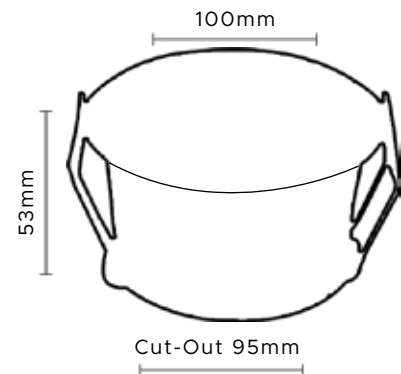


*\*For representational purposes only*

Driver Type to be mentioned with order

## Compact SMD Deep Downlight

Wattage	18W
CCT	3000K / 4000K / 6000K
Body Color	White / Black
Input Voltage	185-265V
Diffuser	PMMA
CRI	>85
THD	<15
PF	>0.9
Operating Temperature	-10°C to +60°C
Material	Aluminium
Beam Angle	120°
Dimensions	53mm(Height) 100mm(Outer) 95mm(Cutout)
LED	Bridgelux



### Product Part Code

HA-DL-SPR-SMD-18-<BEAM>-<CCT>-<BODY COLOR>

Comes with on/off drivers(Default)

### Also Available with Following Driver

Triac Dimmable

0-10 Analog Dimmable

DALI Dimmable / DALI 2.0

Smart  

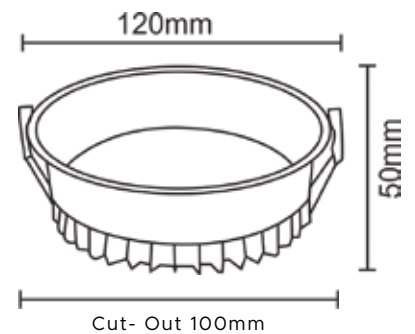


*\*For representational purposes only*

Driver Type to be mentioned with order

## SMD Deep Round Downlight

Wattage	14W
CCT	3000K / 4000K / 6000K
Body Color	White / Black
Input Voltage	185-265V
Diffuser	PMMA
CRI	>85
THD	<15
PF	>0.9
Operating Temperature	-10°C to +60°C
Material	Aluminium
Beam Angle	120°
Dimensions	50mm(Height) 120mm(Outer) 100mm(Cutout)
LED	Bridgelux



### Product Part Code

HA-DL-0704-28-<BEAM>-<CCT>-<BODY COLOR>

Comes with on/off drivers(Default)

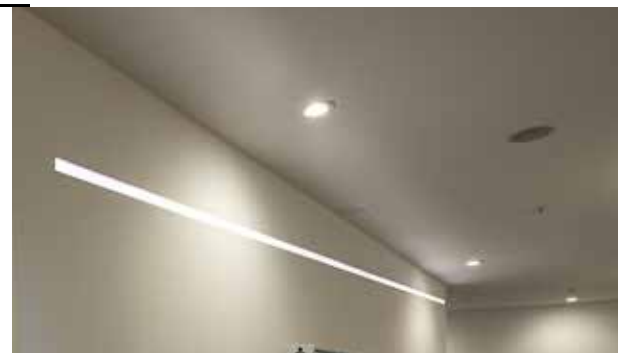
### Also Available with Following Driver

Triac Dimmable

0-10 Analog Dimmable

DALI Dimmable / DALI 2.0

Smart  

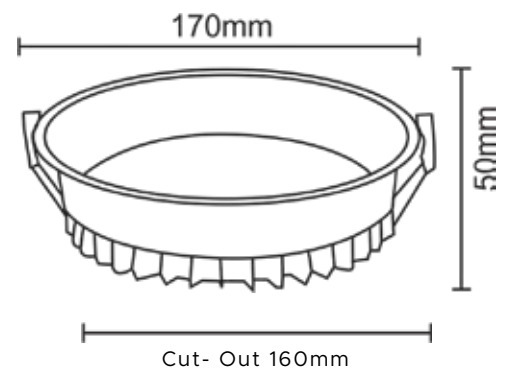


*\*For representational purposes only*

Driver Type to be mentioned with order

## SMD Deep Round Downlight

Wattage	28W
CCT	3000K / 4000K / 6000K
Body Color	White / Black
Input Voltage	185-265V
Diffuser	PMMA
CRI	>85
THD	<15
PF	>0.9
Operating Temperature	-10°C to +60°C
Material	Aluminium
Beam Angle	120°
Dimensions	50mm(Height) 170mm(Outer) 160mm(Cutout)
LED	Bridgelux



### Product Part Code

HA-DL0704-28-<BEAM>-<CCT>-<BODY COLOR>

Comes with on/off drivers(Default)

### Also Available with Following Driver

Triac Dimmable

0-10 Analog Dimmable

DALI Dimmable / DALI 2.0

Smart  

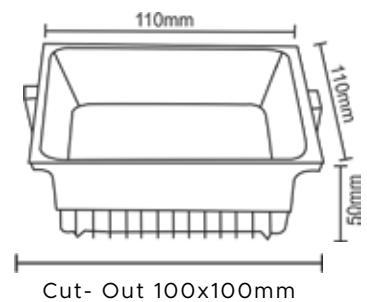


*\*For representational purposes only*

Driver Type to be mentioned with order

## SMD Deep Square Downlight

Wattage	14W
CCT	3000K / 4000K / 6000K
Body Color	White / Black
Input Voltage	185-265V
Diffuser	PMMA
CRI	>85
THD	<15
PF	>0.9
Operating Temperature	-10°C to +60°C
Material	Aluminium
Beam Angle	120°
Dimensions	50mm(Height) 110x110mm(Outer) 100x100mm(Cutout)
LED	Bridgelux



### Product Part Code

HA-DL-0704-SQ-14-<BEAM>-<CCT>-<BODY COLOR>

Comes with on/off drivers(Default)

### Also Available with Following Driver

Triac Dimmable

0-10 Analog Dimmable

DALI Dimmable / DALI 2.0

Smart  

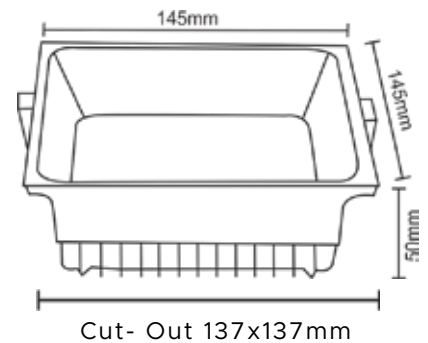


*\*For representational purposes only*

Driver Type to be mentioned with order

## SMD Deep Square Downlight

Wattage	21W
CCT	3000K / 4000K / 6000K
Body Color	White / Black
Input Voltage	185-265V
Diffuser	PMMA
CRI	>85
THD	<15
PF	>0.9
Operating Temperature	-10°C to +60°C
Material	Aluminium
Beam Angle	120°
Dimensions	50mm(Height) 145x145mm(Outer) 137x137mm(Cutout)
LED	Bridgelux



### Product Part Code

HA-DL-0704-SQ-21-<BEAM>-<CCT>-<BODY COLOR>

Comes with on/off drivers(Default)

### Also Available with Following Driver

Triac Dimmable

0-10 Analog Dimmable

DALI Dimmable / DALI 2.0

Smart  

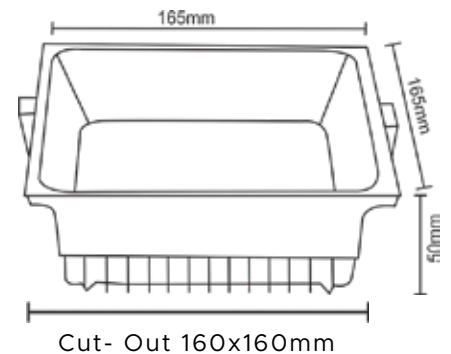


*\*For representational purposes only*

Driver Type to be mentioned with order

## SMD Deep Square Downlight

Wattage	24W
CCT	3000K / 4000K / 6000K
Body Color	White / Black
Input Voltage	185-265V
Diffuser	PMMA
CRI	>85
THD	<15
PF	>0.9
Operating Temperature	-10°C to +60°C
Material	Aluminium
Beam Angle	120°
Dimensions	50mm(Height) 165x165mm(Outer) 160x160mm(Cutout)
LED	Bridgelux



### Product Part Code

HA-DL-0704-SQ-28-<BEAM>-<CCT>-<BODY COLOR>

Comes with on/off drivers(Default)

### Also Available with Following Driver

Triac Dimmable

0-10 Analog Dimmable

DALI Dimmable / DALI 2.0

Smart  

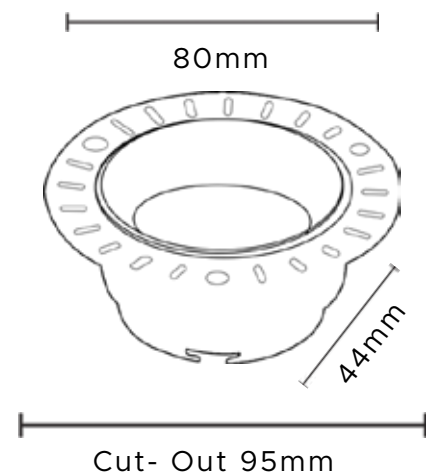


*\*For representational purposes only*

Driver Type to be mentioned with order

## SMD Trimless Downlight

Wattage	10W
CCT	3000K / 4000K / 6000K
Body Color	White
Input Voltage	185-265V
Diffuser	PMMA
CRI	>85
THD	<15
PF	>0.9
Operating Temperature	-10°C to +60°C
Material	Aluminium
Beam Angle	38°
Dimensions	44mm(Height) 80mm(Outer) 95mm(Cutout)
LED	Osram



### Product Part Code

HA-DL-TRM-SMD-10-<BEAM>-<CCT>-<BODY COLOR>

Comes with on/off drivers(Default)

### Also Available with Following Driver

Triac Dimmable

0-10 Analog Dimmable

DALI Dimmable / DALI 2.0

Smart  

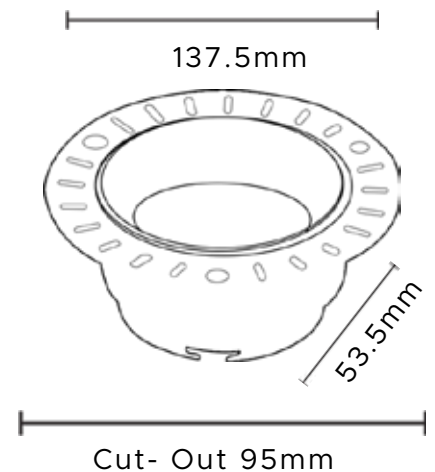


*\*For representational purposes only*

Driver Type to be mentioned with order

## SMD Trimless Downlight

Wattage	18W
CCT	3000K / 4000K / 6000K
Body Color	White
Input Voltage	185-265V
Diffuser	PMMA
CRI	>85
THD	<15
PF	>0.9
Operating Temperature	-10°C to +60°C
Material	Aluminium
Beam Angle	120°
Dimensions	53.5mm(Height) 137.5mm(Outer) 95mm(Cutout)
LED	Bridgelux



### Product Part Code

HA-DL-TRM-SMD-18-<BEAM>-<CCT>-<BODY COLOR>

Comes with on/off drivers(Default)

### Also Available with Following Driver

Triac Dimmable

0-10 Analog Dimmable

DALI Dimmable / DALI 2.0

Smart  



*\*For representational purposes only*

Driver Type to be mentioned with order

## SMD Panel 2x2

Wattage	56W
CCT	3000K / 4000K / 6000K
Body Color	White
Input Voltage	185-265V
Diffuser	PMMA
CRI	>85
THD	<15
PF	>0.9
Operating Temperature	-10°C to +60°C
Material	Aluminium
Beam Angle	120°
Dimensions	25mm(Height) 600x600mm(Cutout)
LED	Bridgelux



### Product Part Code

HA-DL-2X2-56-<BEAM>-<CCT>-<BODY COLOR>

Comes with on/off drivers(Default)

### Also Available with Following Driver

Triac Dimmable

0-10 Analog Dimmable

DALI Dimmable / DALI 2.0

Smart  

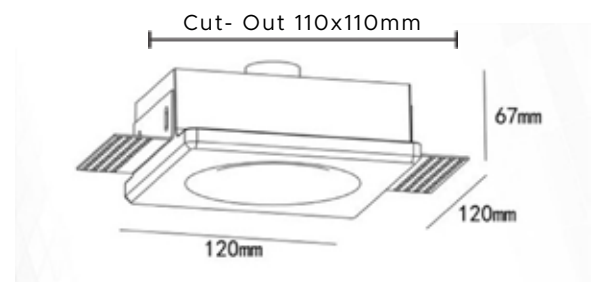


*\*For representational purposes only*

Driver Type to be mentioned with order

## Trimless Decorative Deep Downlight

Wattage	7W
CCT	3000K / 4000K
Body Color	White
Input Voltage	185-265V
Inner Color	Rose Gold
CRI	>85
THD	<15
PF	>0.9
Operating Temperature	-10°C to +60°C
Material	Gypsum
Beam Angle	38°
Dimensions	67mm(Height) 120x120mm(Outer) 110x110mm(Cutout)
LED	Bridgelux



### Product Part Code

HA-DL-110386-7-<BEAM>-<CCT>-<BODY COLOR>

Comes with on/off drivers(Default)

### Also Available with Following Driver

Triac Dimmable

0-10 Analog Dimmable

DALI Dimmable / DALI 2.0

Smart  

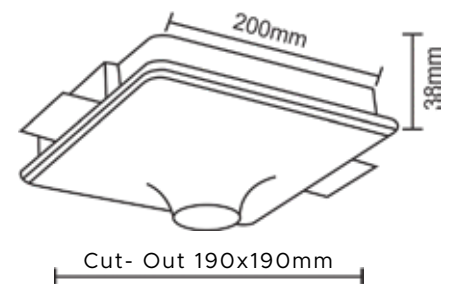


*\*For representational purposes only*

Driver Type to be mentioned with order

## Trimless Drop Light

Wattage	7W
CCT	3000K / 4000K
Body Color	White
Input Voltage	185-265V
Inner Color	Rose Gold
CRI	>85
THD	<15
PF	>0.9
Operating Temperature	-10°C to +60°C
Material	Gypsum
Beam Angle	45°
Dimensions	38mm(Height) 200x200mm(Outer) 190x190mm(Cutout)
LED	Bridgelux



### Product Part Code

HA-DL-0409-24-<BEAM>-<CCT>-<BODY COLOR>

Comes with on/off drivers(Default)

### Also Available with Following Driver

Triac Dimmable

0-10 Analog Dimmable

DALI Dimmable / DALI 2.0

Smart  

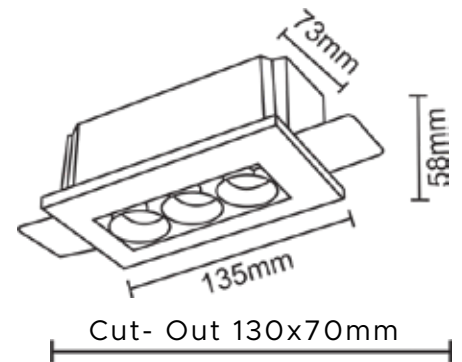


*\*For representational purposes only*

Driver Type to be mentioned with order

## Trimless Decorative Downlight

Wattage	12W
CCT	3000K / 4000K
Body Color	White
Input Voltage	185-265V
Inner Color	Rose Gold
CRI	>85
THD	<15
PF	>0.9
Operating Temperature	-10°C to +60°C
Material	Gypsum
Beam Angle	38°
Dimensions	58mm(Height) 135x78mm(Outer) 130x70mm(Cutout)
LED	Bridgelux



### Product Part Code

HA-DL-110216-12-<BEAM>-<CCT>-<BODY COLOR>

Comes with on/off drivers(Default)

### Also Available with Following Driver

Triac Dimmable

0-10 Analog Dimmable

DALI Dimmable / DALI 2.0

Smart  

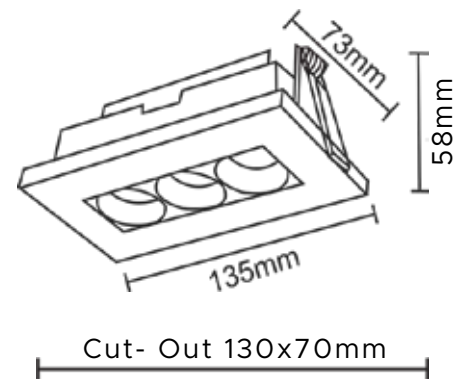


*\*For representational purposes only*

Driver Type to be mentioned with order

## Triple Decorative Downlight

Wattage	12W
CCT	3000K / 4000K
Body Color	White
Input Voltage	185-265V
Inner Color	Rose Gold
CRI	>85
THD	<15
PF	>0.9
Operating Temperature	-10°C to +60°C
Material	Gypsum
Beam Angle	38°
Dimensions	58mm(Height) 135x97mm(Outer) 130x70mm(Cutout)
LED	Bridgelux



### Product Part Code

HA-DL-110217-12-<BEAM>-<CCT>-<BODY COLOR>

Comes with on/off drivers(Default)

### Also Available with Following Driver

Triac Dimmable

0-10 Analog Dimmable

DALI Dimmable / DALI 2.0

Smart  

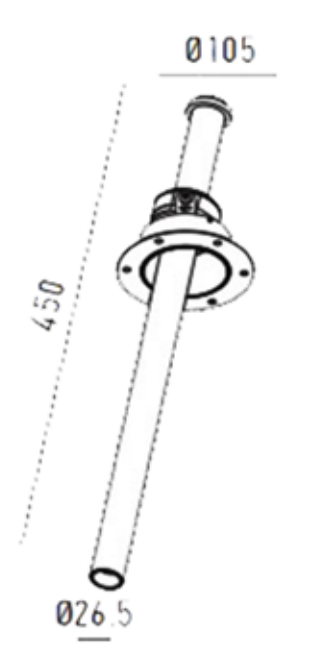


*\*For representational purposes only*

Driver Type to be mentioned with order

## Ultra-long Popout Downlight

Wattage	12W
CCT	3000K / 4000K
Body Color	White / Black
Input Voltage	185-265V
Inner Color	White / Black
CRI	>85
THD	<15
PF	>0.9
Operating Temperature	-10°C to +60°C
Material	Aluminium
Beam Angle	38°
Dimensions	450mm(Height) 105mm(Outer) 26.5mm(Cutout)
LED	Bridgelux



### Product Part Code

HA-DL-244244-12-<BEAM>-<CCT>-<BODY COLOR>

Comes with on/off drivers(Default)

### Also Available with Following Driver

Triac Dimmable

0-10 Analog Dimmable

DALI Dimmable / DALI 2.0

Smart  

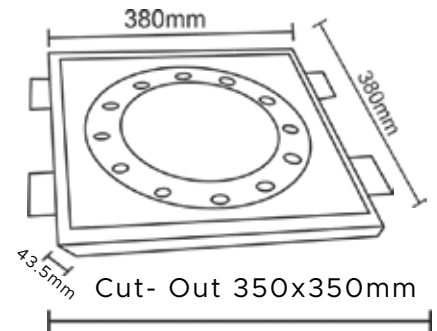
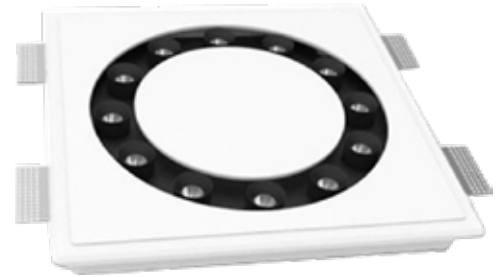


*\*For representational purposes only*

Driver Type to be mentioned with order

## Trimless Ringo Downlight

Wattage	56W
CCT	3000K / 4000K
Body Color	White / Black
Input Voltage	185-265V
Inner Color	Black
CRI	>85
THD	<15
PF	>0.9
Operating Temperature	-10°C to +60°C
Material	Gypsum
Beam Angle	38°
Dimensions	43.5mm(Height) 380x380mm(Outer) 350x350mm(Cutout)
LED	Bridgelux



### Product Part Code

HA-DL-218786-56-<BEAM>-<CCT>-<BODY COLOR>

Comes with on/off drivers(Default)

### Also Available with Following Driver

Triac Dimmable

0-10 Analog Dimmable

DALI Dimmable / DALI 2.0

Smart  



*\*For representational purposes only*

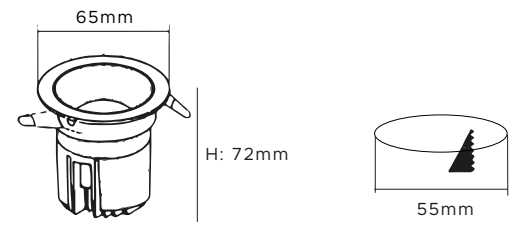
Driver Type to be mentioned with order

# MODULAR & BLADE-R LIGHTS SERIES



## Round Singular Modular 1047

Wattage	7W
CCT	3000K / 4000K / 6000K
Body Color	White / Black
Input Voltage	185-265V
Inner Reflector	Champagne Gold / Bright Silver / Gun Black
CRI	>85
THD	<15
PF	>0.9
Operating Temperature	-10°C to +60°C
Material	Aluminium
Beam Angle	38°
Dimensions	72mm(Height) 65mm(Outer) 55mm(Cutout)
LED	CREE



### Product Part Code

HA-MOD-1047-7-<BEAM>-<CCT>-<BODY COLOR>

Comes with on/off drivers(Default)

### Also Available with Following Driver

Triac Dimmable

0-10 Analog Dimmable

DALI Dimmable / DALI 2.0

Smart  



*\*For representational purposes only*

Driver Type to be mentioned with order

## Round Singular Modular 1047

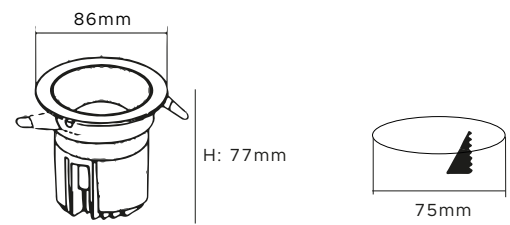
Wattage	12W
CCT	3000K / 4000K / 6000K
Body Color	White / Black
Input Voltage	185-265V
Inner Reflector	Champagne Gold / Bright Silver / Gun Black
CRI	>85
THD	<15
PF	>0.9
Operating Temperature	-10°C to +60°C
Material	Aluminium
Beam Angle	38°
Dimensions	77mm(Height) 86mm(Outer) 75mm(Cutout)
LED	CREE



### Product Part Code

HA-MOD-1047-12-<BEAM>-<CCT>-<BODY COLOR>

Comes with on/off drivers(Default)



### Also Available with Following Driver

Triac Dimmable

0-10 Analog Dimmable

DALI Dimmable / DALI 2.0

Smart  



*\*For representational purposes only*

Driver Type to be mentioned with order

## Round Singular Modular 1047

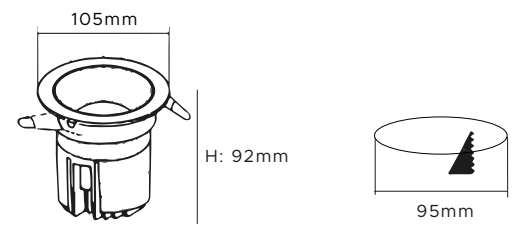
Wattage	18W
CCT	3000K / 4000K / 6000K
Body Color	White / Black
Input Voltage	185-265V
Inner Reflector	Champagne Gold / Bright Silver / Gun Black
CRI	>85
THD	<15
PF	>0.9
Operating Temperature	-10°C to +60°C
Material	Aluminium
Beam Angle	38°
Dimensions	92mm(Height) 105mm(Outer) 95mm(Cutout)
LED	CREE



### Product Part Code

HA-MOD-1047-18-<BEAM>-<CCT>-<BODY COLOR>

Comes with on/off drivers(Default)



### Also Available with Following Driver

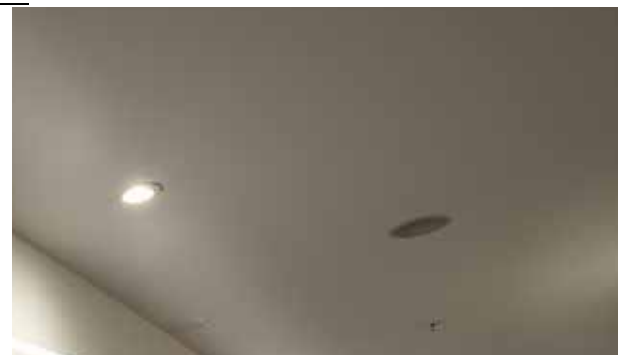
Triac Dimmable

0-10 Analog Dimmable

DALI Dimmable / DALI 2.0

Smart  

Driver Type to be mentioned with order



*\*For representational purposes only*

## Square Singular Modular 1048

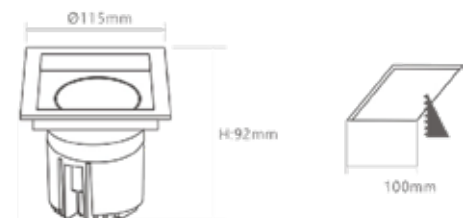
Wattage	12W
CCT	3000K / 4000K / 6000K
Body Color	White / Black
Input Voltage	185-265V
Inner Reflector	Champagne Gold / Bright Silver / Gun Black
CRI	>85
THD	<15
PF	>0.9
Operating Temperature	-10°C to +60°C
Material	Aluminium
Beam Angle	38°
Dimensions	92mm(Height) 115mm(Outer) 100mm(Cutout)
LED	CREE



### Product Part Code

HA-MOD-1048-12-<BEAM>-<CCT>-<BODY COLOR>

Comes with on/off drivers(Default)



### Also Available with Following Driver

Triac Dimmable

0-10 Analog Dimmable

DALI Dimmable / DALI 2.0

Smart  

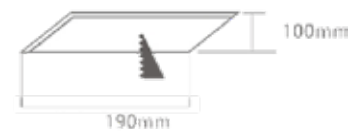
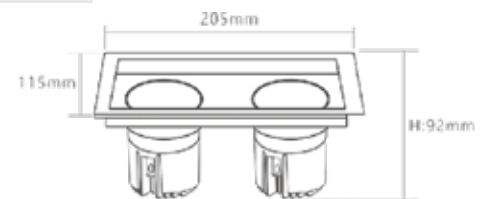
Driver Type to be mentioned with order



*\*For representational purposes only*

## Twin Modular 1048

Wattage	24W
CCT	3000K / 4000K / 6000K
Body Color	White / Black
Input Voltage	185-265V
Inner Reflector	Champagne Gold / Bright Silver / Gun Black
CRI	>85
THD	<15
PF	>0.9
Operating Temperature	-10°C to +60°C
Material	Aluminium
Beam Angle	38°
Dimensions	92mm(Height) 205 x 115mm(Outer) 190x100mm(Cutout)
LED	CREE



### Product Part Code

HA-MOD-TWIN-1048-24-<BEAM>-<CCT>-<BODY COLOR>

Comes with on/off drivers (Default)

### Also Available with Following Driver

Triac Dimmable

0-10 Analog Dimmable

DALI Dimmable / DALI 2.0

Smart  

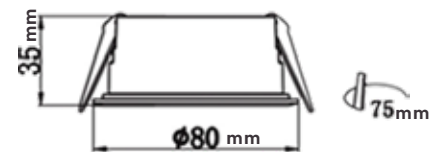


Driver Type to be mentioned with order

*\*For representational purposes only*

## Blade-R Main Ringlight

Wattage	9W
CCT	3000K / 4000K / 6000K
Body Color	White / Black
Input Voltage	185-265V
Inner Color	Black
CRI	>85
THD	<15
PF	>0.9
Operating Temperature	-10°C to +60°C
Material	Aluminium
Beam Angle	38°
Dimensions	35mm(Height) 80mm(Outer) 75mm(Cutout)
LED	Osram



### Product Part Code

HA-BLADE-R-A-9-<BEAM>-<CCT>-<BODY COLOR>

Comes with on/off drivers(Default)

### Also Available with Following Driver

Triac Dimmable

0-10 Analog Dimmable

DALI Dimmable / DALI 2.0

Smart  

Driver Type to be mentioned with order



*\*For representational purposes only*

## Blade-R Main Ringlight

Wattage	16W
CCT	3000K / 4000K / 6000K
Body Color	White / Black
Input Voltage	185-265V
Inner Color	Black
CRI	>85
THD	<15
PF	>0.9
Operating Temperature	-10°C to +60°C
Material	Aluminium
Beam Angle	38°
Dimensions	35mm(Height) 128mm(Outer) 120mm(Cutout)
LED	Osram



### Product Part Code

HA-BLADE-R-A-16-<BEAM>-<CCT>-<BODY COLOR>

Comes with on/off drivers(Default)

### Also Available with Following Driver

Triac Dimmable

0-10 Analog Dimmable

DALI Dimmable / DALI 2.0

Smart  

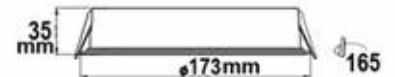


*\*For representational purposes only*

Driver Type to be mentioned with order

## Blade-R Main Ringlight

Wattage	21W
CCT	3000K / 4000K / 6000K
Body Color	White / Black
Input Voltage	185-265V
Inner Color	Black
CRI	>85
THD	<15
PF	>0.9
Operating Temperature	-10°C to +60°C
Material	Aluminium
Beam Angle	38°
Dimensions	35mm(Height) 173mm(Outer) 165mm(Cutout)
LED	Osram



### Product Part Code

HA-BLADE-R-A-21-<BEAM>-<CCT>-<BODY COLOR>

Comes with on/off drivers(Default)

### Also Available with Following Driver

Triac Dimmable

0-10 Analog Dimmable

DALI Dimmable / DALI 2.0

Smart  

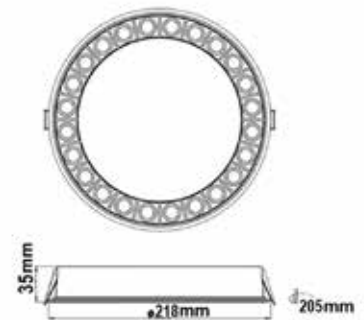


*\*For representational purposes only*

Driver Type to be mentioned with order

## Blade-R Main Ringlight

Wattage	32W
CCT	3000K / 4000K / 6000K
Body Color	White / Black
Input Voltage	185-265V
Inner Color	Black
CRI	>85
THD	<15
PF	>0.9
Operating Temperature	-10°C to +60°C
Material	Aluminium
Beam Angle	38°
Dimensions	35mm(Height) 218mm(Outer) 205mm(Cutout)
LED	Osram



### Product Part Code

HA-BLADE-R-A-32-<BEAM>-<CCT>-<BODY COLOR>

Comes with on/off drivers(Default)

### Also Available with Following Driver

Triac Dimmable

0-10 Analog Dimmable

DALI Dimmable / DALI 2.0

Smart  

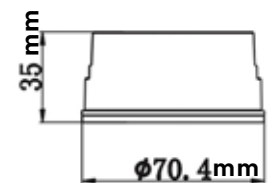
Driver Type to be mentioned with order



*\*For representational purposes only*

## Blade-R Inner Ringlight

Wattage	9W
CCT	3000K / 4000K / 6000K
Body Color	White / Black
Input Voltage	185-265V
Inner Color	Black
CRI	>85
THD	<15
PF	>0.9
Operating Temperature	-10°C to +60°C
Material	Aluminium
Beam Angle	38°
Dimensions	35mm(Height) 70.4mm(Outer)
LED	Osram



### Product Part Code

HA-BLADE-R-B-9-<BEAM>-<CCT>-<BODY COLOR>

Comes with on/off drivers(Default)

### Also Available with Following Driver

Triac Dimmable

0-10 Analog Dimmable

DALI Dimmable / DALI 2.0

Smart  

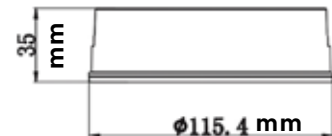
Driver Type to be mentioned with order



*\*For representational purposes only*

## Blade-R Inner Ringlight

Wattage	16W
CCT	3000K / 4000K / 6000K
Body Color	White / Black
Input Voltage	185-265V
Inner Color	Black
CRI	>85
THD	<15
PF	>0.9
Operating Temperature	-10°C to +60°C
Material	Aluminium
Beam Angle	38°
Dimensions	35mm(Height) 115.4mm(Outer)
LED	Osram



### Product Part Code

HA-BLADE-R-B-16-<BEAM>-<CCT>-<BODY COLOR>

Comes with on/off drivers(Default)

### Also Available with Following Driver

Triac Dimmable

0-10 Analog Dimmable

DALI Dimmable / DALI 2.0

Smart  

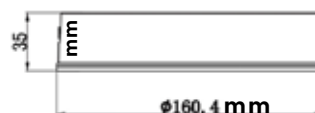
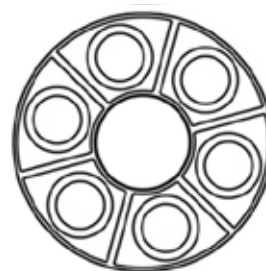
Driver Type to be mentioned with order



*\*For representational purposes only*

## Blade-R Inner Ringlight

Wattage	21W
CCT	3000K / 4000K / 6000K
Body Color	White / Black
Input Voltage	185-265V
Inner Color	Black
CRI	>85
THD	<15
PF	>0.9
Operating Temperature	-10°C to +60°C
Material	Aluminium
Beam Angle	38°
Dimensions	35mm(Height) 160.4mm(Outer)
LED	Osram



### Product Part Code

HA-BLADE-R-B-21-<BEAM>-<CCT>-<BODY COLOR>

Comes with on/off drivers(Default)

### Also Available with Following Driver

Triac Dimmable

0-10 Analog Dimmable

DALI Dimmable / DALI 2.0

Smart  

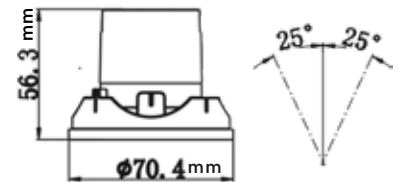
Driver Type to be mentioned with order



*\*For representational purposes only*

## Blade-R COB Downlight with Honeycomb

Wattage	7W
CCT	3000K / 4000K / 6000K
Body Color	White / Black
Input Voltage	185-265V
Inner Color	Same as Body Color
CRI	>85
THD	<15
PF	>0.9
Operating Temperature	-10°C to +60°C
Material	Aluminium
Beam Angle	38°
Dimensions	56.3mm(Height) 70.4mm(Outer)
LED	CREE



### Product Part Code

HA-BLADE-R-C-7-<BEAM>-<CCT>-<BODY COLOR>

Comes with on/off drivers(Default)

### Also Available with Following Driver

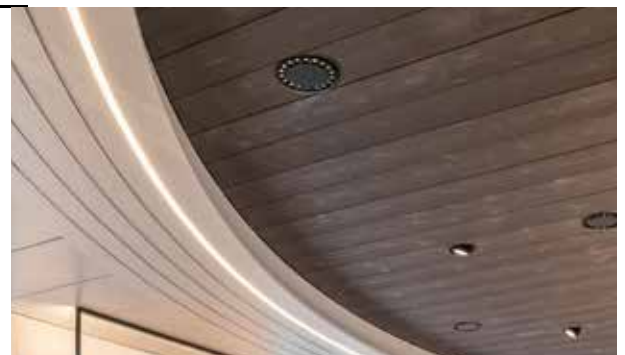
Triac Dimmable

0-10 Analog Dimmable

DALI Dimmable / DALI 2.0

Smart  

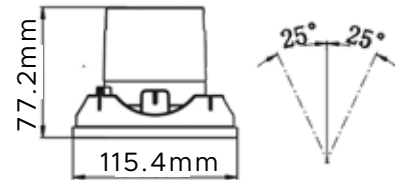
Driver Type to be mentioned with order



*\*For representational purposes only*

## Blade-R COB Downlight with Honeycomb

Wattage	14W
CCT	3000K / 4000K / 6000K
Body Color	White / Black
Input Voltage	185-265V
Inner Color	Same as Body Color
CRI	>85
THD	<15
PF	>0.9
Operating Temperature	-10°C to +60°C
Material	Aluminium
Beam Angle	38°
Dimensions	77.2mm(Height) 115.4mm(Outer)
LED	CREE



### Product Part Code

HA-BLADE-R-C-14-<BEAM>-<CCT>-<BODY COLOR>

Comes with on/off drivers(Default)

### Also Available with Following Driver

Triac Dimmable

0-10 Analog Dimmable

DALI Dimmable / DALI 2.0

Smart  

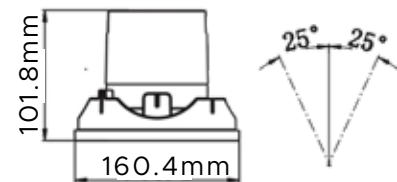
Driver Type to be mentioned with order



*\*For representational purposes only*

## Blade-R COB Downlight with Honeycomb

Wattage	21W
CCT	3000K / 4000K / 6000K
Body Color	White / Black
Input Voltage	185-265V
Inner Reflector	Same as Body Color
CRI	>85
THD	<15
PF	>0.9
Operating Temperature	-10°C to +60°C
Material	Aluminium
Beam Angle	38°
Dimensions	101.8mm(Height) 160.4mm(Outer)
LED	CREE



### Product Part Code

HA-BLADE-R-C-21-<BEAM>-<CCT>-<BODY COLOR>

Comes with on/off drivers(Default)

### Also Available with Following Driver

Triac Dimmable

0-10 Analog Dimmable

DALI Dimmable / DALI 2.0

Smart  

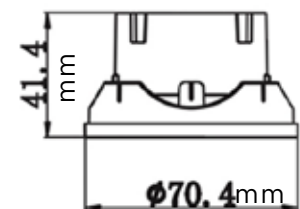
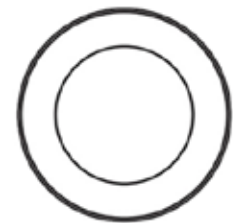
Driver Type to be mentioned with order



*\*For representational purposes only*

## Blade-R SMD Downlight

Wattage	7W
CCT	3000K / 4000K / 6000K
Body Color	White / Black
Input Voltage	185-265V
Diffuser	PMMA
CRI	>85
THD	<15
PF	>0.9
Operating Temperature	-10°C to +60°C
Material	Aluminium
Beam Angle	120°
Dimensions	41.4mm(Height) 70.4mm(Outer)
LED	Bridgelux



### Product Part Code

HA-BLADE-R-D-7-<BEAM>-<CCT>-<BODY COLOR>

Comes with on/off drivers(Default)

### Also Available with Following Driver

Triac Dimmable

0-10 Analog Dimmable

DALI Dimmable / DALI 2.0

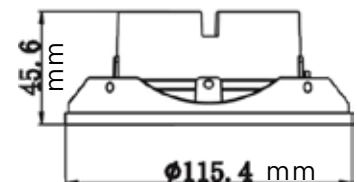
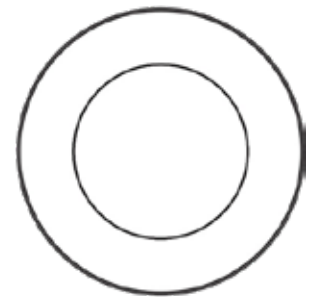
Smart  



Driver Type to be mentioned with order

## Blade-R SMD Downlight

Wattage	14W
CCT	3000K / 4000K / 6000K
Body Color	White / Black
Input Voltage	185-265V
Diffuser	PMMA
CRI	>85
THD	<15
PF	>0.9
Operating Temperature	-10°C to +60°C
Material	Aluminium
Beam Angle	120°
Dimensions	45.6mm(Height) 115.4mm(Outer)
LED	Bridgelux



### Product Part Code

HA-BLADE-R-D-14-<BEAM>-<CCT>-<BODY COLOR>

Comes with on/off drivers(Default)

### Also Available with Following Driver

Triac Dimmable

0-10 Analog Dimmable

DALI Dimmable / DALI 2.0

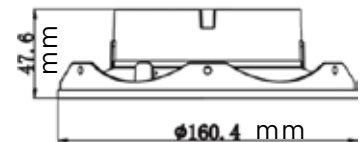
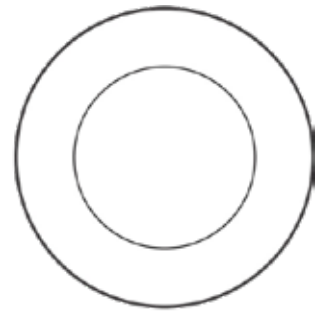
Smart  



Driver Type to be mentioned with order

## Blade-R SMD Downlight

Wattage	21W
CCT	3000K / 4000K / 6000K
Body Color	White / Black
Input Voltage	185-265V
Diffuser	PMMA
CRI	>85
THD	<15
PF	>0.9
Operating Temperature	-10°C to +60°C
Material	Aluminium
Beam Angle	120°
Dimensions	47.6mm(Height) 160.4mm(Outer)
LED	Bridgelux



### Product Part Code

HA-BLADE-R-D-21-<BEAM>-<CCT>-<BODY COLOR>

Comes with on/off drivers(Default)

### Also Available with Following Driver

Triac Dimmable

0-10 Analog Dimmable

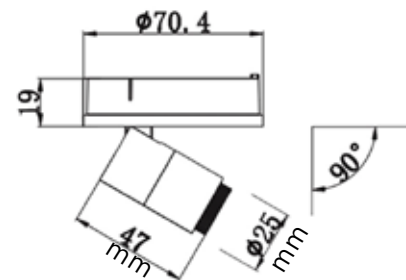
DALI Dimmable / DALI 2.0

Smart  



Driver Type to be mentioned with order

Wattage	4W
CCT	3000K / 4000K / 6000K
Body Color	White / Black
Input Voltage	185-265V
Inner Color	Black
CRI	>85
THD	<15
PF	>0.9
Operating Temperature	-10°C to +60°C
Material	Aluminium
Beam Angle	38°
Dimensions	25mm(Height) 47mm(Outer)
LED	CREE



## Product Part Code

HA-BLADE-R-TR-4-<BEAM>-<CCT>-<BODY COLOR>

Comes with on/off drivers(Default)

## Also Available with Following Driver

Triac Dimmable

0-10 Analog Dimmable

DALI Dimmable / DALI 2.0

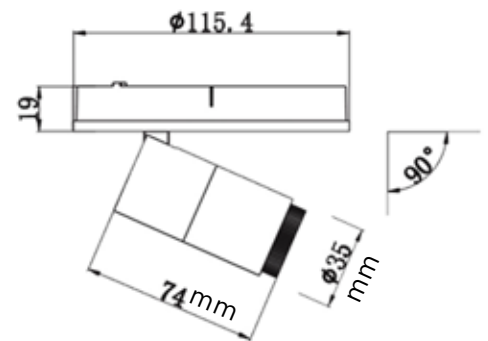
Smart  



Driver Type to be mentioned with order

## Blade-R Track Spot

Wattage	7W
CCT	3000K / 4000K / 6000K
Body Color	White / Black
Input Voltage	185-265V
Inner Color	Black
CRI	>85
THD	<15
PF	>0.9
Operating Temperature	-10°C to +60°C
Material	Aluminium
Beam Angle	38°
Dimensions	35mm(Height) x 74mm(Outer)
LED	CREE



### Product Part Code

HA-BLADE-R-TR-7-<BEAM>-<CCT>-<BODY COLOR>

Comes with on/off drivers(Default)

### Also Available with Following Driver

Triac Dimmable

0-10 Analog Dimmable

DALI Dimmable / DALI 2.0

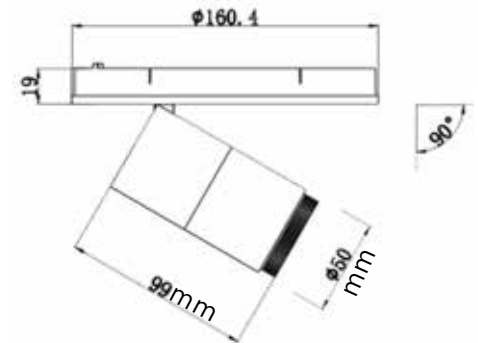
Smart  



Driver Type to be mentioned with order

## Blade-R Track Spot

Wattage	14W
CCT	3000K / 4000K / 6000K
Body Color	White / Black
Input Voltage	185-265V
Inner Reflector	Black
CRI	>85
THD	<15
PF	>0.9
Operating Temperature	-10°C to +60°C
Material	Aluminium
Beam Angle	38°
Dimensions	50mm(Height) 99mm(Outer)
LED	CREE



### Product Part Code

HA-BLADE-R-TR-14-<BEAM>-<CCT>-<BODY COLOR>

Comes with on/off drivers(Default)

### Also Available with Following Driver

Triac Dimmable

0-10 Analog Dimmable

DALI Dimmable / DALI 2.0

Smart  

Driver Type to be mentioned with order



*\*For representational purposes only*

## Blade-R Cover-A\_B\_C

---

Wattage	NA
CCT	NA
Body Color	White
Input Voltage	NA
CRI	NA
THD	NA
PF	NA
Operating Temperature	NA
Material	NA
Beam Angle	NA
Dimensions	NA

LED	NA
-----	----



### Product Part Code

HA-BLADE-R-COVER-A\_B\_C-<BEAM>-<CCT>-<BODY COLOR>

Comes with on/off drivers(Default)

### Also Available with Following Driver

---

Triac Dimmable

0-10 Analog Dimmable

DALI Dimmable / DALI 2.0

Smart  

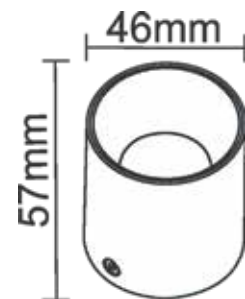
Driver Type to be mentioned with order

# SURFACE LIGHTS SERIES



## Surface Cylindrical SF COB

Wattage	4W
CCT	3000K / 4000K / 6000K
Body Color	White / Black
Input Voltage	185-265V
Inner Color	Black
CRI	>85
THD	<15
PF	>0.9
Operating Temperature	-10°C to +60°C
Material	Aluminium
Beam Angle	36°
Dimensions	57mm(Height) 46mm(Width)
LED	CREE



### Product Part Code

HA-SUR-04-SFCOB-<BEAM><CCT>-<BODY COLOR>

Comes with on/off drivers(Default)

### Also Available with Following Driver

Triac Dimmable

0-10 Analog Dimmable

DALI Dimmable / DALI 2.0

Smart  

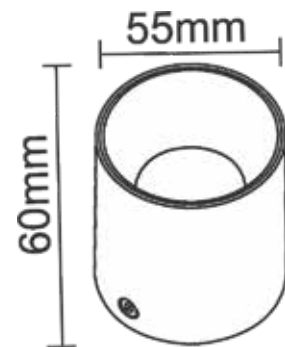


*\*For representational purposes only*

Driver Type to be mentioned with order

## Surface Cylindrical SF COB

Wattage	7W
CCT	3000K / 4000K / 6000K
Body Color	White / Black
Input Voltage	185-265V
Inner Color	Black
CRI	>85
THD	<15
PF	>0.9-
Operating Temperature	10°C to +60°C
Material	Aluminium
Beam Angle	36°
Dimensions	60mm(Height) 55mm(Width)
LED	CREE



### Product Part Code

HA-SUR-07-SFCOB-<BEAM>-<CCT>-<BODY COLOR>

Comes with on/off drivers(Default)

### Also Available with Following Driver

Triac Dimmable

0-10 Analog Dimmable

DALI Dimmable / DALI 2.0

Smart  

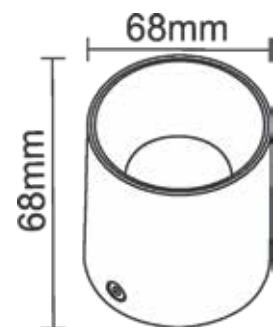


*\*For representational purposes only*

Driver Type to be mentioned with order

## Surface Cylindrical SF COB

Wattage	12W
CCT	3000K / 4000K / 6000K
Body Color	White / Black
Input Voltage	185-265V
Inner Color	Black
CRI	>85
THD	<15
PF	>0.9
Operating Temperature	-10°C to +60°C
Material	Aluminium
Beam Angle	36°
Dimensions	68mm(Height) 68mm(Width)
LED	CREE



### Product Part Code

HA-SUR-12-SFCOB-<BEAM>-<CCT>-<BODY COLOR>

Comes with on/off drivers(Default)

### Also Available with Following Driver

Triac Dimmable

0-10 Analog Dimmable

DALI Dimmable / DALI 2.0

Smart  

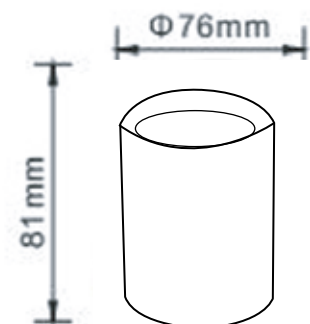


*\*For representational purposes only*

Driver Type to be mentioned with order

## Surface Cylindrical Deep SMD

Wattage	10W
CCT	3000K / 4000K / 6000K
Body Color	White / Black
Input Voltage	185-265V
Diffuser	PMMA
CRI	>85
THD	<15
PF	>0.9
Operating Temperature	-10°C to +60°C
Material	Aluminium
Beam Angle	120°
Dimensions	81mm(Height) 76mm(Width)
LED	Bridgelux



### Product Part Code

HA-SU-SMD-10-<BEAM>-<CCT>-<BODY COLOR>

Comes with on/off drivers(Default)

### Also Available with Following Driver

Triac Dimmable

0-10 Analog Dimmable

DALI Dimmable / DALI 2.0

Smart  

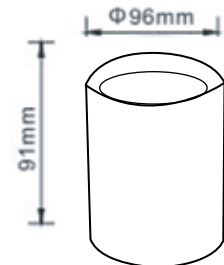


*\*For representational purposes only*

Driver Type to be mentioned with order

## Surface Cylindrical Deep SMD

Wattage	18W
CCT	3000K / 4000K / 6000K
Body Color	White / Black
Input Voltage	185-265V
Diffuser	PMMA
CRI	>85
THD	<15
PF	>0.9
Operating Temperature	-10°C to +60°C
Material	Aluminium
Beam Angle	120°
Dimensions	91mm(Height) 96mm(Width)
LED	Bridgelux



### Product Part Code

HA-SU-SMD-18-<BEAM>-<CCT>-<BODY COLOR>

Comes with on/off drivers(Default)

### Also Available with Following Driver

Triac Dimmable

0-10 Analog Dimmable

DALI Dimmable / DALI 2.0

Smart  

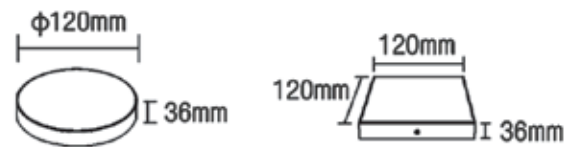


*\*For representational purposes only*

Driver Type to be mentioned with order

## Surface Downlights SMD

Wattage	21W
CCT	3000K / 4000K / 6000K
Body Color	White / Black
Input Voltage	185-265V
Diffuser	PMMA
CRI	>85
THD	<15
PF	>0.9
Operating Temperature	-10°C to +60°C
Material	Aluminium
Beam Angle	120°
Dimensions	36mm(Height) 120mm(Width)
LED	Bridgelux



### Product Part Code

HA-SUR-7350-21-<BEAM>-<CCT>-<BODY COLOR>

Comes with on/off drivers(Default)

Please specify ROUND or SQUARE

### Also Available with Following Driver

Triac Dimmable

0-10 Analog Dimmable

DALI Dimmable / DALI 2.0

Smart  

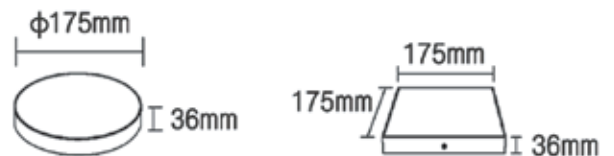


*\*For representational purposes only*

Driver Type to be mentioned with order

## Surface Downlights SMD

Wattage	28W
CCT	3000K / 4000K / 6000K
Body Color	White / Black
Input Voltage	185-265V
Diffuser	PMMA
CRI	>85
THD	<15
PF	>0.9
Operating Temperature	-10°C to +60°C
Material	Aluminium
Beam Angle	120°
Dimensions	36mm(Height) 175mm(Width)
LED	Bridgelux



### Product Part Code

HA-SUR-7350-28-<BEAM><CCT>-<BODY COLOR>

Comes with on/off drivers(Default)

Please specify ROUND or SQUARE

### Also Available with Following Driver

Triac Dimmable

0-10 Analog Dimmable

DALI Dimmable / DALI 2.0

Smart  



*\*For representational purposes only*

Driver Type to be mentioned with order

## Surface Downlights SMD

Wattage	35W
CCT	3000K / 4000K / 6000K
Body Color	White / Black
Input Voltage	185-265V
Diffuser	PMMA
CRI	>85
THD	<15
PF	>0.9
Operating Temperature	-10°C to +60°C
Material	Aluminium
Beam Angle	120°
Dimensions	36mm(Height) 225mm(Width)
LED	Bridgelux

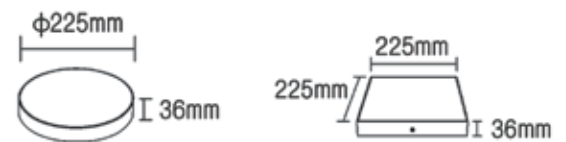


### Product Part Code

HA-SUR-7350-35-<BEAM>-<CCT>-<BODY COLOR>

Comes with on/off drivers(Default)

Please specify ROUND or SQUARE



### Also Available with Following Driver

Triac Dimmable

0-10 Analog Dimmable

DALI Dimmable / DALI 2.0

Smart  

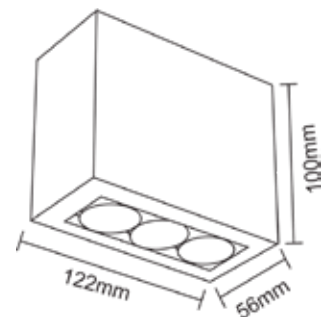


*\*For representational purposes only*

Driver Type to be mentioned with order

## Surface 210066

Wattage	8W
CCT	3000K / 4000K / 6000K
Body Color	White / Black
Input Voltage	185-265V
Reflector	Rose Gold
CRI	>85
THD	<15
PF	>0.9
Operating Temperature	-10°C to +60°C
Material	Cement
Beam Angle	120°
Dimensions	100mm(Height) 122mm(Length) 56mm(Width)
LED	Osram



### Product Part Code

HA-SUR-210066-8-<BEAM>-<CCT>-<BODY COLOR>

Comes with on/off drivers(Default)

### Also Available with Following Driver

Triac Dimmable

0-10 Analog Dimmable

DALI Dimmable / DALI 2.0

Smart  



*\*For representational purposes only*

Driver Type to be mentioned with order

## Surface Linea

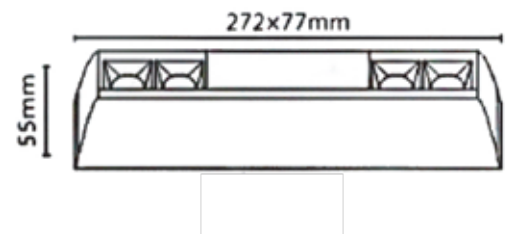
Wattage	24W
CCT	3000K / 4000K / 6000K
Body Color	White / Black
Input Voltage	185-265V
Reflector	Gun Metal
CRI	>85
THD	<15
PF	>0.9
Operating Temperature	-10°C to +60°C
Material	Aluminium
Beam Angle	38°
Dimensions	55mm(Height) 272 x 77mm(Width)
LED	CREE



### Product Part Code

HA-SUR-LINEA-24-<BEAM>-<CCT>-<BODY COLOR>

Comes with on/off drivers(Default)



### Also Available with Following Driver

Triac Dimmable

0-10 Analog Dimmable

DALI Dimmable / DALI 2.0

Smart  

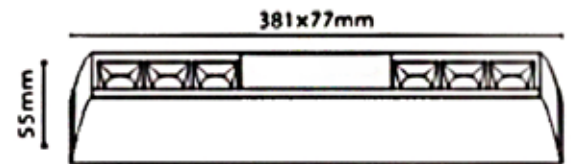


*\*For representational purposes only*

Driver Type to be mentioned with order

## Surface Linea

Wattage	35W
CCT	3000K / 4000K / 6000K
Body Color	White / Black
Input Voltage	185-265V
Reflector	Gun Metal
CRI	>85
THD	<15
PF	>0.9
Operating Temperature	-10°C to +60°C
Material	Aluminium
Beam Angle	38°
Dimensions	55mm(Height) 381 x 77mm(Width)
LED	CREE



### Product Part Code

HA-SUR-LINEA-35-<BEAM>-<CCT>-<BODY COLOR>

Comes with on/off drivers(Default)

### Also Available with Following Driver

Triac Dimmable

0-10 Analog Dimmable

DALI Dimmable / DALI 2.0

Smart  

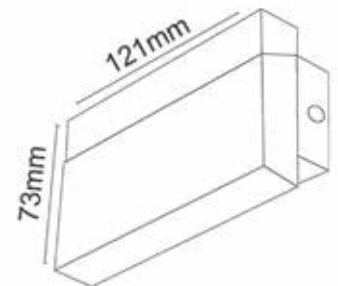


*\*For representational purposes only*

Driver Type to be mentioned with order

## Surface Wall Light 222

Wattage	7W
CCT	3000K / 4000K / 6000K
Body Color	White / Black
Input Voltage	185-265V
Inner Color	NA
CRI	>85
THD	<15
PF	>0.9
Operating Temperature	-10°C to +60°C
Material	Aluminium
Beam Angle	-
Dimensions	73mm(Height) 121mm(Width)
LED	Bridgelux



### Product Part Code

HA-SUR-PL222-07-<CCT>-<BODY COLOR>

Comes with on/off drivers(Default)

### Also Available with Following Driver

Triac Dimmable

0-10 Analog Dimmable

DALI Dimmable / DALI 2.0

Smart  

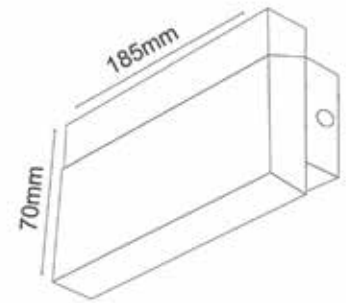


*\*For representational purposes only*

Driver Type to be mentioned with order

## Surface Wall Light 222

Wattage	14W
CCT	3000K / 4000K / 6000K
Body Color	White / Black
Input Voltage	185-265V
Inner Color	NA
CRI	>85
THD	<15
PF	>0.9
Operating Temperature	-10°C to +60°C
Material	Aluminium
Beam Angle	-
Dimensions	70mm(Height) 185mm(Width)
LED	Bridgelux



### Product Part Code

HA-SUR-PL222-14-<CCT>-<BODY COLOR>

Comes with on/off drivers(Default)

### Also Available with Following Driver

Triac Dimmable

0-10 Analog Dimmable

DALI Dimmable / DALI 2.0

Smart  

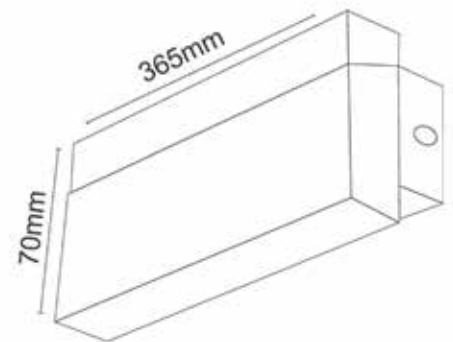


*\*For representational purposes only*

Driver Type to be mentioned with order

## Surface Wall Light 222

Wattage	21W
CCT	3000K / 4000K / 6000K
Body Color	Pink / White / Black
Input Voltage	185-265V
Inner Color	NA
CRI	>85
THD	<15
PF	>0.9
Operating Temperature	-10°C to +60°C
Material	Aluminium
Beam Angle	-
Dimensions	70mm(Height) 365mm(Width)
LED	Bridgelux



### Product Part Code

HA-SUR-PL222-21-<CCT>-<BODY COLOR>

Comes with on/off drivers(Default)

### Also Available with Following Driver

Triac Dimmable

0-10 Analog Dimmable

DALI Dimmable / DALI 2.0

Smart  

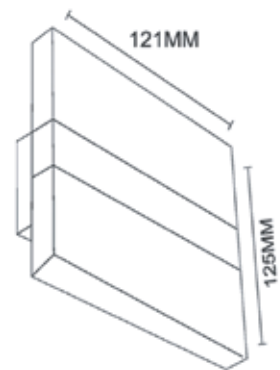


*\*For representational purposes only*

Driver Type to be mentioned with order

## Surface Wall Light 222 UD

Wattage	14W
CCT	3000K / 4000K / 6000K
Body Color	White / Black
Input Voltage	185-265V
Inner Color	NA
CRI	>85
THD	<15
PF	>0.9
Operating Temperature	-10°C to +60°C
Material	Aluminium
Beam Angle	-
Dimensions	125mm(Height) 121mm(Width)
LED	Bridgelux



### Product Part Code

HA-SUR-PL222-14-<CCT>-<BODY COLOR>

Comes with on/off drivers(Default)

### Also Available with Following Driver

Triac Dimmable

0-10 Analog Dimmable

DALI Dimmable / DALI 2.0

Smart  

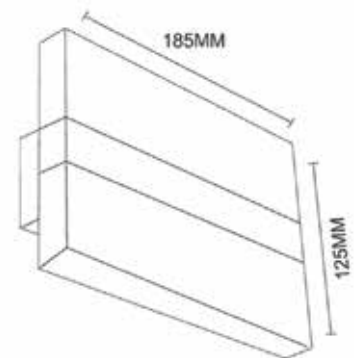


*\*For representational purposes only*

Driver Type to be mentioned with order

## Surface Wall Light 222 UD

Wattage	21W
CCT	3000K / 4000K / 6000K
Body Color	White / Black
Input Voltage	185-265V
Inner Color	NA
CRI	>85
THD	<15
PF	>0.9
Operating Temperature	-10°C to +60°C
Material	Aluminium
Beam Angle	-
Dimensions	125mm(Height) 185mm(Width)
LED	Bridgelux



### Product Part Code

HA-SUR-PL222-21-<CCT>-<BODY COLOR>

Comes with on/off drivers(Default)

### Also Available with Following Driver

Triac Dimmable

0-10 Analog Dimmable

DALI Dimmable / DALI 2.0

Smart  

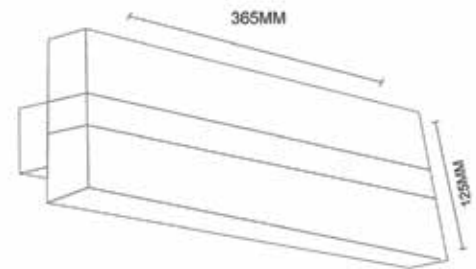


*\*For representational purposes only*

Driver Type to be mentioned with order

## Surface Wall Light 222 UD

Wattage	42W
CCT	3000K / 4000K / 6000K
Body Color	White / Black
Input Voltage	185-265V
Inner Color	NA
CRI	>85
THD	<15
PF	>0.9
Operating Temperature	-10°C to +60°C
Material	Aluminium
Beam Angle	-
Dimensions	125mm(Height) 365mm(Width)
LED	Bridgelux



### Product Part Code

HA-SUR-PL222-42-<CCT>-<BODY COLOR>

Comes with on/off drivers(Default)

### Also Available with Following Driver

Triac Dimmable

0-10 Analog Dimmable

DALI Dimmable / DALI 2.0

Smart  

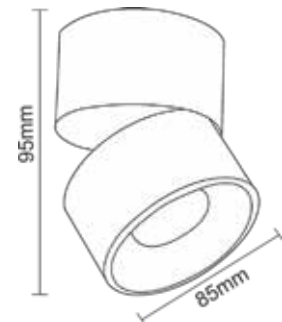


*\*For representational purposes only*

Driver Type to be mentioned with order

## Surface Cylindrical Swivel

Wattage	14W
CCT	3000K / 4000K / 6000K
Body Color	White / Black
Input Voltage	185-265V
Inner Color	White / Black
CRI	>85
THD	<15
PF	>0.9
Operating Temperature	-10°C to +60°C
Material	Aluminium
Beam Angle	38°
Dimensions	95mm(Height) 85mm(Width)
LED	CREE



### Product Part Code

HA-SUR-3507-14-<BEAM>-<CCT>-<BODY COLOR>

Comes with on/off drivers(Default)

Please specify ROUND or SQUARE

### Also Available with Following Driver

Triac Dimmable

0-10 Analog Dimmable

DALI Dimmable / DALI 2.0

Smart  

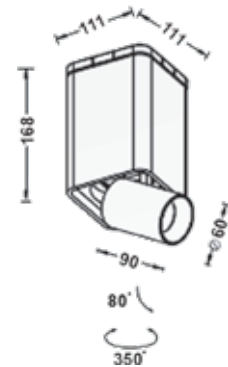


*\*For representational purposes only*

Driver Type to be mentioned with order

## Surface Square Zoom

Wattage	14W
CCT	3000K / 4000K / 6000K
Body Color	White / Black
Input Voltage	185-265V
Inner Color	Black(with white) / Copper (with Black)
CRI	>85
THD	<15
PF	>0.9
Operating Temperature	-10°C to +60°C
Material	Aluminium
Beam Angle	38°
Dimensions	168mm(Height) 111mm x 111mm(Width)
LED	CREE



### Product Part Code

HA-SUR-444-14-<BEAM>-<CCT>-<BODY COLOR>

Comes with on/off drivers(Default)

Please specify ROUND or SQUARE

### Also Available with Following Driver

Triac Dimmable

0-10 Analog Dimmable

DALI Dimmable / DALI 2.0

Smart  

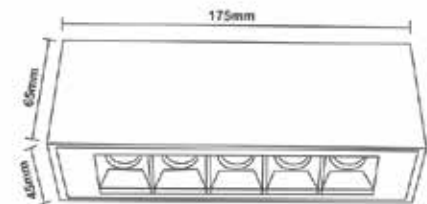


*\*For representational purposes only*

Driver Type to be mentioned with order

## Surface PNR

Wattage	7W
CCT	3000K / 4000K / 6000K
Body Color	White / Black
Input Voltage	185-265V
Inner Color	Black
CRI	>85
THD	<15
PF	>0.9
Operating Temperature	-10°C to +60°C
Material	Aluminium
Beam Angle	38°
Dimensions	65mm(Height) 175mm(Width) 45mm(Length)
LED	Osram



### Product Part Code

HA-SUR-7SF-PNR-<BEAM>-<CCT>-<BODY COLOR>

Comes with on/off drivers(Default)

### Also Available with Following Driver

Triac Dimmable

0-10 Analog Dimmable

DALI Dimmable / DALI 2.0

Smart  



*\*For representational purposes only*

Driver Type to be mentioned with order

## Surface Tubelight

Wattage	4W
CCT	3000K / 4000K / 6000K
Body Color	White
Input Voltage	185-265V
Diffuser	PMMA
CRI	>85
THD	<15
PF	>0.9
Operating Temperature	-10°C to +60°C
Material	Aluminium
Beam Angle	-
Dimensions	300mm(Width)
LED	EPISTAR



### Product Part Code

HA-SUR-T5-04-<CCT>-<BODY COLOR>

Comes with on/off drivers(Default)

### Also Available with Following Driver

Triac Dimmable

0-10 Analog Dimmable

DALI Dimmable / DALI 2.0

Smart  

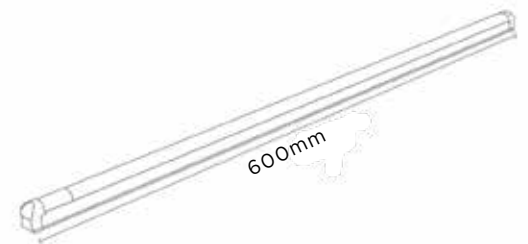
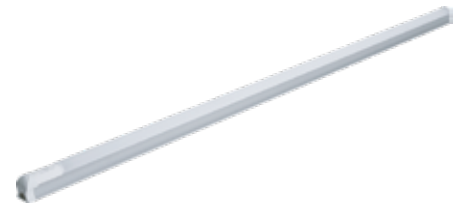


*\*For representational purposes only*

Driver Type to be mentioned with order

## Surface Tubelight

Wattage	8W
CCT	3000K / 4000K / 6000K
Body Color	White / Black
Input Voltage	185-265V
Diffuser	PMMA
CRI	>85
THD	<15
PF	>0.9
Operating Temperature	-10°C to +60°C
Material	Aluminium
Beam Angle	-
Dimensions	600mm(Width)
LED	EPISTAR



### Product Part Code

HA-SUR-T5-08-<CCT>-<BODY COLOR>

Comes with on/off drivers(Default)

### Also Available with Following Driver

Triac Dimmable

0-10 Analog Dimmable

DALI Dimmable / DALI 2.0

Smart  

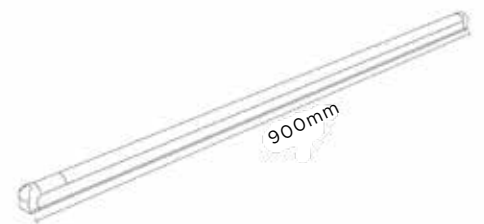
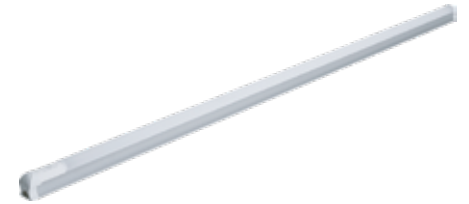


*\*For representational purposes only*

Driver Type to be mentioned with order

## Surface Tubelight

Wattage	12W
CCT	3000K / 4000K / 6000K
Body Color	White / Black
Input Voltage	185-265V
Diffuser	PMMA
CRI	>85
THD	<15
PF	>0.9
Operating Temperature	-10°C to +60°C
Material	Aluminium
Beam Angle	-
Dimensions	900mm(Width)
LED	EPISTAR



### Product Part Code

HA-SUR-T5-12-<CCT>-<BODY COLOR>

Comes with on/off drivers(Default)

### Also Available with Following Driver

Triac Dimmable

0-10 Analog Dimmable

DALI Dimmable / DALI 2.0

Smart  

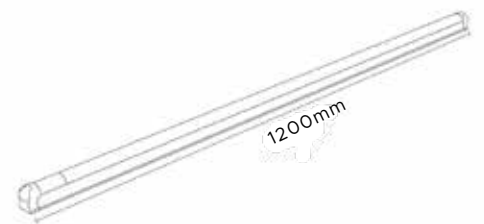
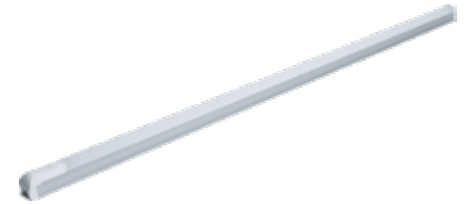


*\*For representational purposes only*

Driver Type to be mentioned with order

## Surface Tubelight

Wattage	16W
CCT	3000K / 4000K / 6000K
Body Color	White / Black
Input Voltage	185-265V
Diffuser	PMMA
CRI	>85
THD	<15
PF	>0.9
Operating Temperature	-10°C to +60°C
Material	Aluminium
Beam Angle	-
Dimensions	1200mm(Width)
LED	EPISTAR



### Product Part Code

HA-SUR-T5-16-<CCT>-<BODY COLOR>

Comes with on/off drivers(Default)

### Also Available with Following Driver

Triac Dimmable

0-10 Analog Dimmable

DALI Dimmable / DALI 2.0

Smart  

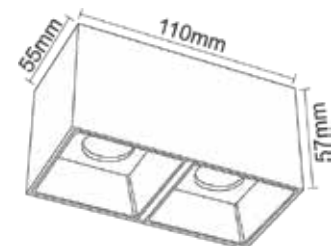


*\*For representational purposes only*

Driver Type to be mentioned with order

## Surface Twin 7272

Wattage	14W
CCT	3000K / 4000K / 6000K
Body Color	White / Black
Input Voltage	185-265V
Inner Color	White / Black
CRI	>85
THD	<15
PF	>0.9
Operating Temperature	-10°C to +60°C
Material	Aluminium
Beam Angle	38°
Dimensions	57(Height) 110(Length) 55mm(Width)
LED	CREE



### Product Part Code

HA-SUR-7272-14-<BEAM>-<CCT>-<BODY COLOR>

Comes with on/off drivers(Default)

### Also Available with Following Driver

Triac Dimmable

0-10 Analog Dimmable

DALI Dimmable / DALI 2.0

Smart  

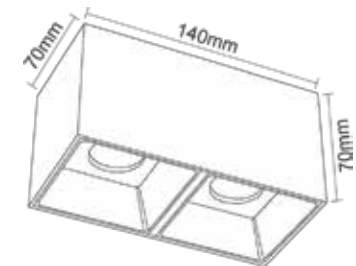


*\*For representational purposes only*

Driver Type to be mentioned with order

## Surface Twin 7272

Wattage	24W
CCT	3000K / 4000K / 6000K
Body Color	White / Black
Input Voltage	185-265V
Inner Color	White / Black
CRI	>85
THD	<15
PF	>0.9
Operating Temperature	-10°C to +60°C
Material	Aluminium
Beam Angle	38°
Dimensions	70(Height) 140(Length) 70mm(Width)
LED	CREE



### Product Part Code

HA-SUR-7272-24-<BEAM>-<CCT>-<BODY COLOR>

Comes with on/off drivers(Default)

### Also Available with Following Driver

Triac Dimmable

0-10 Analog Dimmable

DALI Dimmable / DALI 2.0

Smart  

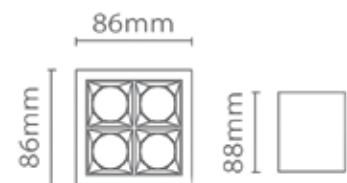


*\*For representational purposes only*

Driver Type to be mentioned with order

## Surface Matrix

Wattage	18W
CCT	3000K / 4000K / 6000K
Body Color	White / Black
Input Voltage	185-265V
Inner Color	Black
CRI	>85
THD	<15
PF	>0.9
Operating Temperature	-10°C to +60°C
Material	Aluminium
Beam Angle	38°
Dimensions	88mm(Height) 86 x 86mm(Width)
LED	Osram



### Product Part Code

HA-SUR-MATRIX-18SF-<BEAM>-<CCT>-<BODY COLOR>

Comes with on/off drivers(Default)

### Also Available with Following Driver

Triac Dimmable

0-10 Analog Dimmable

DALI Dimmable / DALI 2.0

Smart  

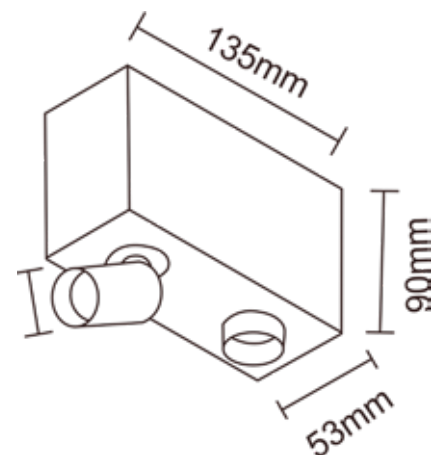


*\*For representational purposes only*

Driver Type to be mentioned with order

## Surface Twin Popout

Wattage	14W
CCT	3000K / 4000K / 6000K
Body Color	White / Black
Input Voltage	185-265V
Inner Color	Black
CRI	>85
THD	<15
PF	>0.9
Operating Temperature	-10°C to +60°C
Material	Aluminium
Beam Angle	38°
Dimensions	90mm(Height) 135mm(Length) 53mm(Width)
LED	CREE



### Product Part Code

HA-SUR-4477-14-<BEAM>-<CCT>-<BODY COLOR>

Comes with on/off drivers(Default)

### Also Available with Following Driver

Triac Dimmable

0-10 Analog Dimmable

DALI Dimmable / DALI 2.0

Smart  

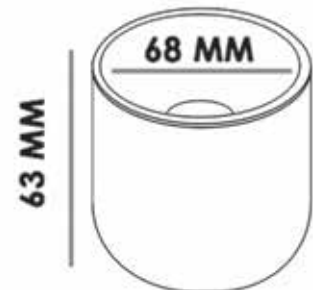


*\*For representational purposes only*

Driver Type to be mentioned with order

## Surface Deep Cylindrical 2114

Wattage	7W
CCT	3000K / 4000K / 6000K
Body Color	White / Black
Input Voltage	185-265V
Inner Color	Same as body color
CRI	>85
THD	<15
PF	>0.9
Operating Temperature	-10°C to +60°C
Material	Aluminium
Beam Angle	38°
Dimensions	63mm(Height) 68mm(Width)
LED	CREE



### Product Part Code

HA-SUR-2114-07-<BEAM>-<CCT>-<BODY COLOR>

Comes with on/off drivers(Default)

### Also Available with Following Driver

Triac Dimmable

0-10 Analog Dimmable

DALI Dimmable / DALI 2.0

Smart  

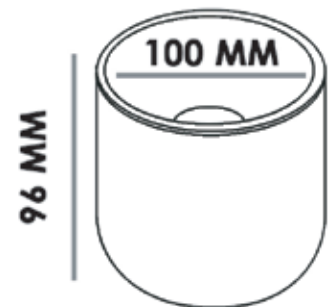


*\*For representational purposes only*

Driver Type to be mentioned with order

## Surface Deep Cylindrical 2114

Wattage	14W
CCT	3000K / 4000K / 6000K
Body Color	White / Black
Input Voltage	185-265V
Inner Color	Same as body color
CRI	>85
THD	<15
PF	>0.9
Operating Temperature	-10°C to +60°C
Material	Aluminium
Beam Angle	38°
Dimensions	96mm(Height) 100mm(Width)
LED	CREE



### Product Part Code

HA-SUR-2114-14-<BEAM>-<CCT>-<BODY COLOR>

Comes with on/off drivers(Default)

### Also Available with Following Driver

Triac Dimmable

0-10 Analog Dimmable

DALI Dimmable / DALI 2.0

Smart  

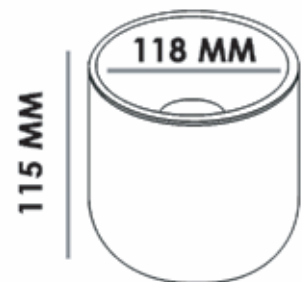


*\*For representational purposes only*

Driver Type to be mentioned with order

## Surface Deep Cylindrical 2114

Wattage	21W
CCT	3000K / 4000K / 6000K
Body Color	White / Black
Input Voltage	185-265V
Inner Color	Same as body color
CRI	>85
THD	<15
PF	>0.9
Operating Temperature	-10°C to +60°C
Material	Aluminium
Beam Angle	38°
Dimensions	115mm(Height) 118mm(Width)
LED	CREE



### Product Part Code

HA-SUR-2114-21-<BEAM>-<CCT>-<BODY COLOR>

Comes with on/off drivers(Default)

### Also Available with Following Driver

Triac Dimmable

0-10 Analog Dimmable

DALI Dimmable / DALI 2.0

Smart  

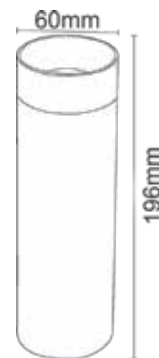


*\*For representational purposes only*

Driver Type to be mentioned with order

## Surface Long Cylindrical

Wattage	9W
CCT	3000K / 4000K / 6000K
Body Color	White / Black
Input Voltage	185-265V
Inner Color	Same as body color
CRI	>85
THD	<15
PF	>0.9
Operating Temperature	-10°C to +60°C
Material	Aluminium
Beam Angle	38°
Dimensions	196mm(Height) 60mm(Width)
LED	Bridgelux



### Product Part Code

HA-SUR-LG-09-<BEAM>-<CCT>-<BODY COLOR>

Comes with on/off drivers(Default)

### Also Available with Following Driver

Triac Dimmable

0-10 Analog Dimmable

DALI Dimmable / DALI 2.0

Smart  

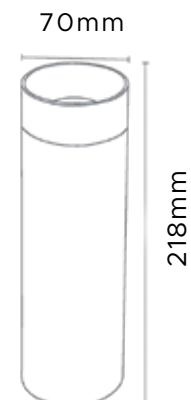


*\*For representational purposes only*

Driver Type to be mentioned with order

## Surface Long Cylindrical

Wattage	16W
CCT	3000K / 4000K / 6000K
Body Color	White / Black
Input Voltage	185-265V
Inner Color	Same as body color
CRI	>85
THD	<15
PF	>0.9
Operating Temperature	-10°C to +60°C
Material	Aluminium
Beam Angle	38°
Dimensions	218mm(Height) 70mm(Width)
LED	Bridgelux



### Product Part Code

HA-SUR-LG-16-<BEAM>-<CCT>-<BODY COLOR>

Comes with on/off drivers(Default)

### Also Available with Following Driver

Triac Dimmable

0-10 Analog Dimmable

DALI Dimmable / DALI 2.0

Smart  

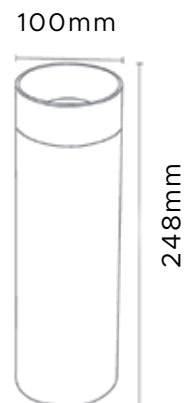


*\*For representational purposes only*

Driver Type to be mentioned with order

## Surface Long Cylindrical

Wattage	24W
CCT	3000K / 4000K / 6000K
Body Color	White / Black
Input Voltage	185-265V
Inner Color	Same as body color
CRI	>85
THD	<15
PF	>0.9
Operating Temperature	-10°C to +60°C
Material	Aluminium
Beam Angle	38°
Dimensions	248mm(Height) 100mm(Width)
LED	Bridgelux



### Product Part Code

HA-SUR-LG-24-<BEAM>-<CCT>-<BODY COLOR>

Comes with on/off drivers(Default)

### Also Available with Following Driver

Triac Dimmable

0-10 Analog Dimmable

DALI Dimmable / DALI 2.0

Smart  

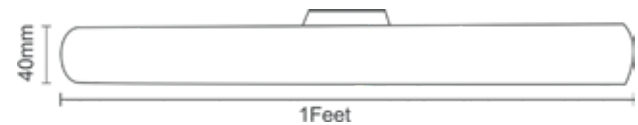


*\*For representational purposes only*

Driver Type to be mentioned with order

## Surface Wall Light PL888

Wattage	12W
CCT	3000K / 4000K / 6000K
Body Color	White / Black / Chrome / Rose Gold / Antique Brass / Champagne Gold
Input Voltage	185-265V
Diffuser	PMMA
CRI	>85
THD	<15
PF	>0.9
Operating Temperature	-10°C to +60°C
Material	Aluminium
Beam Angle	-
Dimensions	40mm(Height) 304.8mm(Width)
LED	Bridgelux



### Product Part Code

HA-SUR-PL888-12-<CCT>-<BODY COLOR>

Comes with on/off drivers(Default)

### Also Available with Following Driver

Triac Dimmable

0-10 Analog Dimmable

DALI Dimmable / DALI 2.0

Smart  



*\*For representational purposes only*

Driver Type to be mentioned with order

## Surface Wall Light PL888

Wattage	24W
CCT	3000K / 4000K / 6000K
Body Color	White / Black / Chrome / Rose Gold / Antique Brass / Champagne Gold
Input Voltage	185-265V
Diifuser	PMMA
CRI	>85
THD	<15
PF	>0.9
Operating Temperature	-10°C to +60°C
Material	Aluminium
Beam Angle	-
Dimensions	40mm(Height) 609.6mm(Width)
LED	Bridgelux



### Product Part Code

HA-SUR-PL888-24-<CCT>-<BODY COLOR>

Comes with on/off drivers(Default)

### Also Available with Following Driver

Triac Dimmable

0-10 Analog Dimmable

DALI Dimmable / DALI 2.0

Smart  



*\*For representational purposes only*

Driver Type to be mentioned with order

## Surface Wall Light PL888

Wattage	36W
CCT	3000K / 4000K / 6000K
Body Color	White / Black / Chrome / Rose Gold / Antique Brass / Champagne Gold
Input Voltage	185-265V
Diffuser	PMMA
CRI	>85
THD	<15
PF	>0.9
Operating Temperature	-10°C to +60°C
Material	Aluminium
Beam Angle	-
Dimensions	40mm(Height) 914.4mm(Width)
LED	Bridgelux



### Product Part Code

HA-SUR-PL888-36-<CCT>-<BODY COLOR>

Comes with on/off drivers(Default)

### Also Available with Following Driver

Triac Dimmable

0-10 Analog Dimmable

DALI Dimmable / DALI 2.0

Smart  

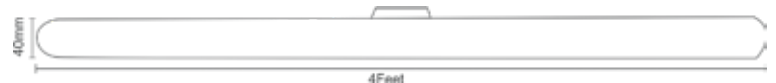


*\*For representational purposes only*

Driver Type to be mentioned with order

## Surface Wall Light PL888

Wattage	48W
CCT	3000K / 4000K / 6000K
Body Color	White / Black / Chrome / Rose Gold / Antique Brass / Champagne Gold
Input Voltage	185-265V
Diifuser	PMMA
CRI	>85
THD	<15
PF	>0.9
Operating Temperature	-10°C to +60°C
Material	Aluminium
Beam Angle	-
Dimensions	40mm(Height) 1219.2mm(Width)
LED	Bridgelux



### Product Part Code

HA-SUR-PL888-48-<CCT>-<BODY COLOR>

Comes with on/off drivers(Default)

### Also Available with Following Driver

Triac Dimmable

0-10 Analog Dimmable

DALI Dimmable / DALI 2.0

Smart  

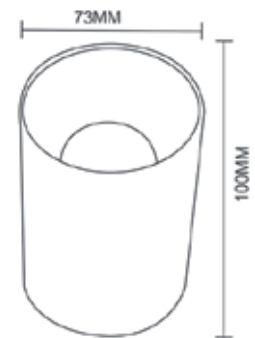


*\*For representational purposes only*

Driver Type to be mentioned with order

## Surface Multi-Reflector Round SF COB

Wattage	14W
CCT	3000K / 4000K / 6000K
Body Color	White / Black
Input Voltage	185-265V
Inner Color	White / Black / Yellow-Gold
CRI	Rose Gold / Silver
THD	>85
PF	<15
Operating Temperature	>0.9
Material	-10°C to +60°C
Beam Angle	Aluminium
Dimensions	38°
	100mm(Height)
	73mm(Width)
LED	Bridgelux



### Product Part Code

HA-SUR-SFCOB-02-14-<BEAM>-<CCT>-<BODY COLOR>

Comes with on/off drivers(Default)

### Also Available with Following Driver

Triac Dimmable

0-10 Analog Dimmable

DALI Dimmable / DALI 2.0

Smart  

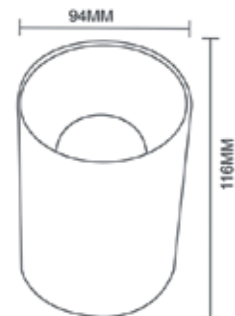


*\*For representational purposes only*

Driver Type to be mentioned with order

## Surface Multi-Reflector Round SF COB

Wattage	24W
CCT	3000K / 4000K / 6000K
Body Color	White / Black
Input Voltage	185-265V
Inner Color	White / Black / Yellow-Gold Rose-Gold / Silver
CRI	>85
THD	<15
PF	>0.9
Operating Temperature	-10°C to +60°C
Material	Aluminium
Beam Angle	38°
Dimensions	116mm(Height) 94mm(Width)
LED	Bridgelux



### Product Part Code

HA-SUR-SFCOB-02-24-<BEAM>-<CCT>-<BODY COLOR>

Comes with on/off drivers(Default)

### Also Available with Following Driver

Triac Dimmable

0-10 Analog Dimmable

DALI Dimmable / DALI 2.0

Smart  

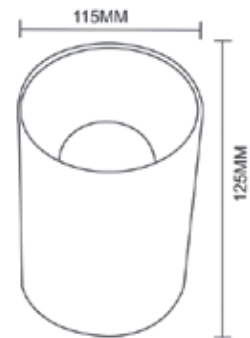


*\*For representational purposes only*

Driver Type to be mentioned with order

## Surface Multi-Reflector Round SF COB

Wattage	35W
CCT	3000K / 4000K / 6000K
Body Color	White / Black
Input Voltage	185-265V
Inner Color	White / Black / Yellow-Gold Rose-Gold / Silver
CRI	>85
THD	<15
PF	>0.9
Operating Temperature	-10°C to +60°C
Material	Aluminium
Beam Angle	38°
Dimensions	125mm(Height) 115mm(Width)
LED	Bridgelux



### Product Part Code

HA-SUR-SFCOB-02-35-<BEAM>-<CCT>-<BODY COLOR>

Comes with on/off drivers(Default)

### Also Available with Following Driver

Triac Dimmable

0-10 Analog Dimmable

DALI Dimmable / DALI 2.0

Smart  

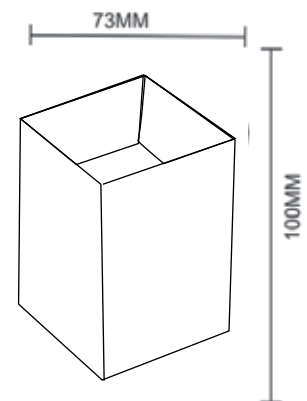


*\*For representational purposes only*

Driver Type to be mentioned with order

## Surface Multi-Reflector Square SF COB

Wattage	14W
CCT	3000K / 4000K / 6000K
Body Color	White / Black
Input Voltage	185-265V
Inner Color	White / Black / Yellow-Gold Rose-Gold / Silver
CRI	>85
THD	<15
PF	>0.9
Operating Temperature	-10°C to +60°C
Material	Aluminium
Beam Angle	38°
Dimensions	100mm(Height) 73mm(Width)
LED	Bridgelux



### Product Part Code

HA-SUR-SFCOB-SQ-02-14-<BEAM>-<CCT>-<BODY COLOR>

Comes with on/off drivers(Default)

### Also Available with Following Driver

Triac Dimmable

0-10 Analog Dimmable

DALI Dimmable / DALI 2.0

Smart  

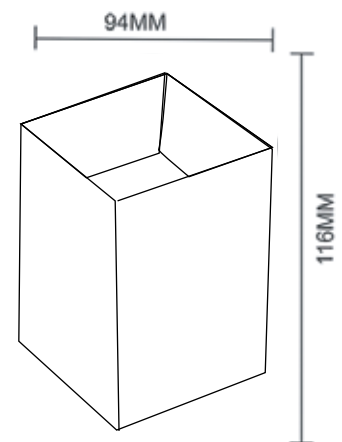


*\*For representational purposes only*

Driver Type to be mentioned with order

## Surface Multi-Reflector Square SF COB

Wattage	24W
CCT	3000K / 4000K / 6000K
Body Color	White / Black
Input Voltage	185-265V
Inner Color	White / Black / Yellow-Gold Rose-Gold / Silver
CRI	>85
THD	<15
PF	>0.9
Operating Temperature	-10°C to +60°C
Material	Aluminium
Beam Angle	38°
Dimensions	116mm(Height) 94mm(Width)
LED	Bridgelux



### Product Part Code

HA-SUR-SFCOB-SQ-02-24-<BEAM>-<CCT>-<BODY COLOR>

Comes with on/off drivers(Default)

### Also Available with Following Driver

Triac Dimmable

0-10 Analog Dimmable

DALI Dimmable / DALI 2.0

Smart  

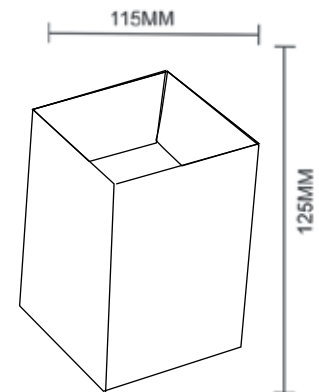


*\*For representational purposes only*

Driver Type to be mentioned with order

## Surface Multi-Reflector Square SF COB

Wattage	35W
CCT	3000K / 4000K / 6000K
Body Color	White / Black
Input Voltage	185-265V
Inner Color	White / Black / Yellow-Gold Rose-Gold / Silver
CRI	>85
THD	<15
PF	>0.9
Operating Temperature	-10°C to +60°C
Material	Aluminium
Beam Angle	38°
Dimensions	125mm(Height) 115mm(Width)
LED	Bridgelux



### Product Part Code

HA-SUR-SFCOB-SQ-02-35-<BEAM>-<CCT>-<BODY COLOR>

Comes with on/off drivers(Default)

### Also Available with Following Driver

Triac Dimmable

0-10 Analog Dimmable

DALI Dimmable / DALI 2.0

Smart  



*\*For representational purposes only*

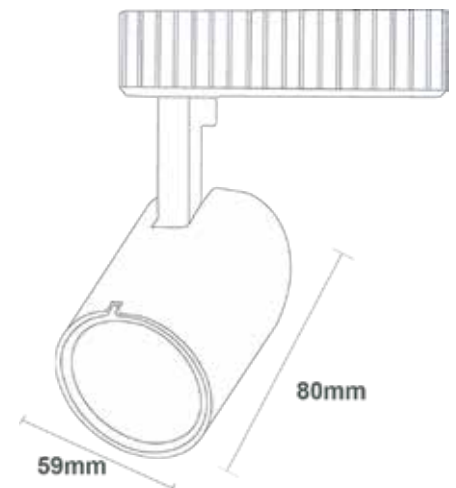
Driver Type to be mentioned with order

# TRACK LIGHTS SERIES



## Track Light 09TR-09

Wattage	9W
CCT	3000K / 4000K / 6000K
Body Color	White / Black
Input Voltage	185-265V
Inner Color	Black
CRI	>85
THD	<15
PF	>0.9
Operating Temperature	-10°C to +60°C
Material	Aluminium
Beam Angle	24°
Dimensions	80mm(Height) 59mm(Width)
LED	CREE



### Product Part Code

HA-09TR-09-<BEAM><CCT>-<BODY COLOR>

Comes with on/off drivers(Default)

### Also Available with Following Driver

Triac Dimmable

0-10 Analog Dimmable

DALI Dimmable / DALI 2.0

Smart  

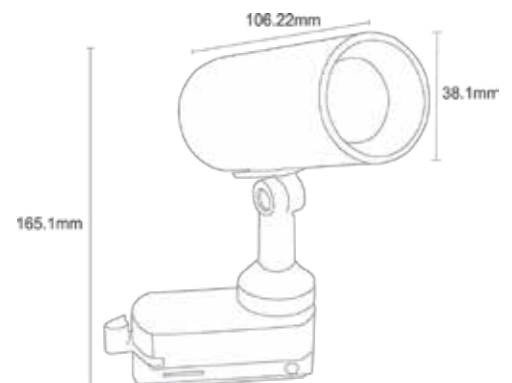


*\*For representational purposes only*

Driver Type to be mentioned with order

## Track Light 14-3535-TR-14

Wattage	14W
CCT	3000K / 4000K / 6000K
Body Color	White / Black
Input Voltage	185-265V
Inner Color	Gold
CRI	<15
THD	>0.9-
PF	10°C to +60°C
Operating Temperature	Aluminium
Material	36°
Beam Angle	165.1mm(Height)
Dimensions	106.22mm(Width) 38.1mm(Length)
LED	CREE



### Product Part Code

HA-14-3535-TR-14-<BEAM>-<CCT>-<BODY COLOR>

Comes with on/off drivers(Default)

### Also Available with Following Driver

Triac Dimmable

0-10 Analog Dimmable

DALI Dimmable / DALI 2.0

Smart  

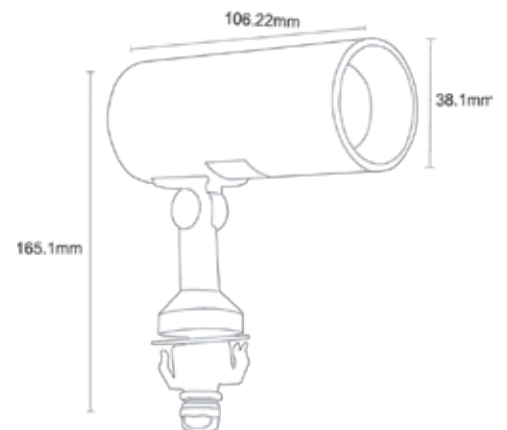


*\*For representational purposes only*

Driver Type to be mentioned with order

## Track Light 14-3535-CD-14

Wattage	14W
CCT	3000K / 4000K / 6000K
Body Color	White / Black
Input Voltage	185-265V
Inner Color	Gold
CRI	>85
THD	<15
PF	>0.9
Operating Temperature	-10°C to +60°C
Material	Aluminium
Beam Angle	36°
Dimensions	165.1mm(Height) 106.22mm(Width) 38.1mm(Length)
LED	CREE



### Product Part Code

HA-14-3535-CD-14-<BEAM>-<CCT>-<BODY COLOR>

Comes with on/off drivers(Default)

### Also Available with Following Driver

Triac Dimmable

0-10 Analog Dimmable

DALI Dimmable / DALI 2.0

Smart  

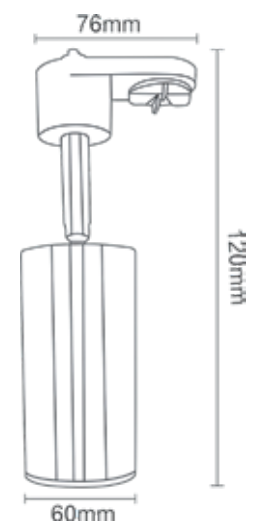


*\*For representational purposes only*

Driver Type to be mentioned with order

## Track Light 14-TR-714-14

Wattage	14W
CCT	3000K / 4000K / 6000K
Body Color	Gun Metal   Brass Gold   Rose Gold
Input Voltage	185-265V
Inner Color	Same as Body Color
CRI	>85
THD	<15
PF	>0.9
Operating Temperature	-10°C to +60°C
Material	Aluminium
Beam Angle	40°
Dimensions	120mm(Height) 60mm(Width) 76mm(Length)
LED	CREE



### Product Part Code

HA-14-TR-714-14-<BEAM>-<CCT>-<BODY COLOR>

Comes with on/off drivers(Default)

### Also Available with Following Driver

Triac Dimmable

0-10 Analog Dimmable

DALI Dimmable / DALI 2.0

Smart  

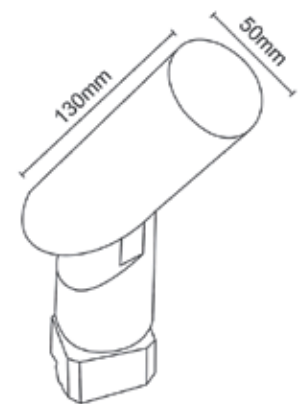


*\*For representational purposes only*

Driver Type to be mentioned with order

## Track Light 14TR-02-14

Wattage	14W
CCT	3000K / 4000K / 6000K
Body Color	White / Black
Input Voltage	185-265V
Inner Color	Silver / Gold
CRI	>85
THD	<15
PF	>0.9
Operating Temperature	-10°C to +60°C
Material	Aluminium
Beam Angle	120°
Dimensions	130mm(Height) 50mm(Width)
LED	Bridgelux



### Product Part Code

HA-14TR-02-14-<BEAM>-<CCT>-<BODY COLOR>

Comes with on/off drivers(Default)

### Also Available with Following Driver

Triac Dimmable

0-10 Analog Dimmable

DALI Dimmable / DALI 2.0

Smart  

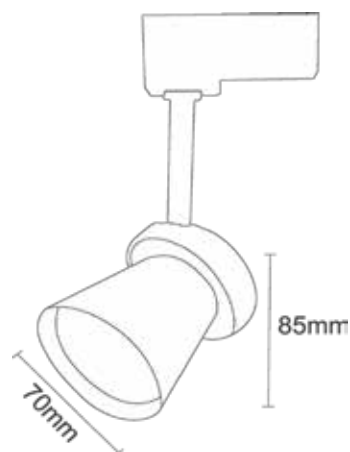


*\*For representational purposes only*

Driver Type to be mentioned with order

## Track Light 14TR-CREE-14

Wattage	14W
CCT	3000K / 4000K / 6000K
Body Color	White / Black
Input Voltage	185-265V
Inner Color	Black
CRI	>85
THD	<15
PF	>0.9
Operating Temperature	-10°C to +60°C
Material	Aluminium
Beam Angle	40°
Dimensions	85mm(Height) 70mm(Width)
LED	CREE



### Product Part Code

HA-14TR-CREE-14-<BEAM>-<CCT>-<BODY COLOR>

Comes with on/off drivers(Default)

### Also Available with Following Driver

Triac Dimmable

0-10 Analog Dimmable

DALI Dimmable / DALI 2.0

Smart  

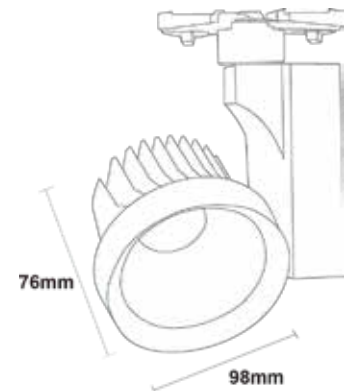


*\*For representational purposes only*

Driver Type to be mentioned with order

## Track Light 21TR-02-21

Wattage	21W
CCT	3000K / 4000K / 6000K
Body Color	White / Black
Input Voltage	185-265V
Inner Reflector	Same as Body Color
CRI	>85
THD	<15
PF	>0.9
Operating Temperature	-10°C to +60°C
Material	Aluminium
Beam Angle	24°
Dimensions	76mm(Height) 98mm(Width)
LED	CREE



### Product Part Code

HA-21TR-02-21-<BEAM><CCT>-<BODY COLOR>

Comes with on/off drivers(Default)

### Also Available with Following Driver

Triac Dimmable

0-10 Analog Dimmable

DALI Dimmable / DALI 2.0

Smart  

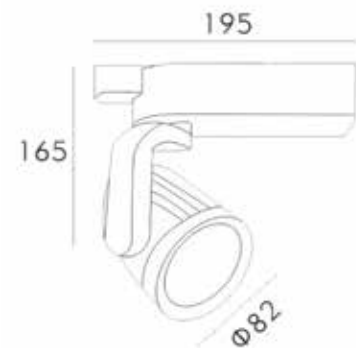


*\*For representational purposes only*

Driver Type to be mentioned with order

## Track Light 30TR-1870-30

Wattage	30W
CCT	3000K / 4000K / 6000K
Body Color	White / Black
Input Voltage	185-265V
Inner Color	Same as Body Color
CRI	>85
THD	<15
PF	>0.9
Operating Temperature	-10°C to +60°C
Material	Aluminium
Beam Angle	45°
Dimensions	165mm(Height) 195mm(Width) 82mm(Length)
LED	CREE



### Product Part Code

HA-30TR-1870-30-<BEAM>-<CCT>-<BODY COLOR>

Comes with on/off drivers(Default)

### Also Available with Following Driver

Triac Dimmable

0-10 Analog Dimmable

DALI Dimmable / DALI 2.0

Smart  

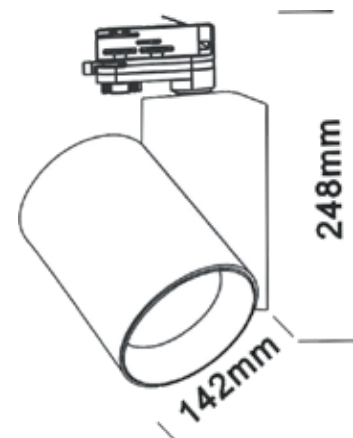


*\*For representational purposes only*

Driver Type to be mentioned with order

## Track Light 36TR-1830-35

Wattage	35W
CCT	3000K / 4000K / 6000K
Body Color	White / Black
Input Voltage	185-265V
Inner Color	Black
CRI	>85
THD	<15
PF	>0.9
Operating Temperature	-10°C to +60°C
Material	Aluminium
Beam Angle	45°
Dimensions	248mm(Height) 142mm(Width)
LED	CREE



### Product Part Code

HA-36TR-1830-35-<BEAM>-<CCT>-<BODY COLOR>

Comes with on/off drivers(Default)

### Also Available with Following Driver

Triac Dimmable

0-10 Analog Dimmable

DALI Dimmable / DALI 2.0

Smart  

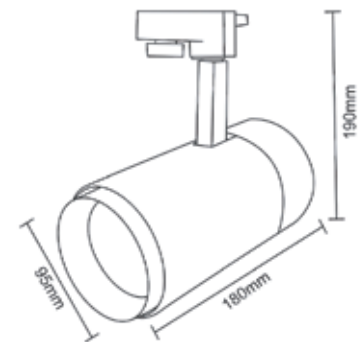


*\*For representational purposes only*

Driver Type to be mentioned with order

## Track Light 35TR-C+E-35

Wattage	35W
CCT	3000K / 4000K / 6000K
Body Color	White / Black
Input Voltage	185-265V
Inner Color	Same as Body Color
CRI	>85
THD	<15
PF	>0.9
Operating Temperature	-10°C to +60°C
Material	Aluminium
Beam Angle	38°
Dimensions	190mm(Height) 95mm(Width) 180(Length)
LED	CREE



### Product Part Code

HA-35TR-C+E-35-<BEAM>-<CCT>-<BODY COLOR>

Comes with on/off drivers(Default)

### Also Available with Following Driver

Triac Dimmable

0-10 Analog Dimmable

DALI Dimmable / DALI 2.0

Smart  

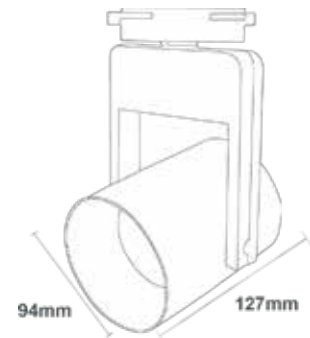
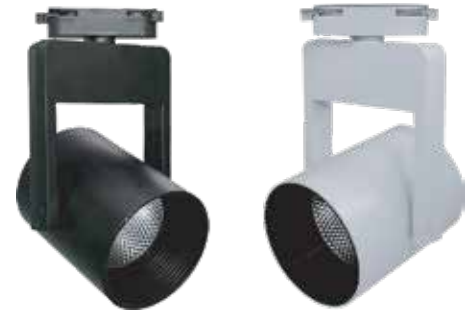


*\*For representational purposes only*

Driver Type to be mentioned with order

## Track Light 35TR-35

Wattage	35W
CCT	3000K / 4000K / 6000K
Body Color	White / Black
Input Voltage	185-265V
Inner Color	White / Black
CRI	>85
THD	<15
PF	>0.9
Operating Temperature	-10°C to +60°C
Material	Aluminium
Beam Angle	38°
Dimensions	94mm(Height) 127mm(Width)
LED	CREE



### Product Part Code

HA-35TR-777-35-<BEAM><CCT>-<BODY COLOR>

Comes with on/off drivers(Default)

### Also Available with Following Driver

Triac Dimmable

0-10 Analog Dimmable

DALI Dimmable / DALI 2.0

Smart  

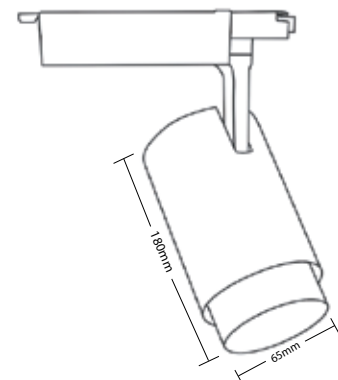


*\*For representational purposes only*

Driver Type to be mentioned with order

## Track Light 35TR-DC-242-35

Wattage	35W
CCT	3000K / 4000K / 6000K
Body Color	White / Black
Input Voltage	185-265V
Inner Color	Black
CRI	>85
THD	<15
PF	>0.9
Operating Temperature	10°C to +60°C
Material	Aluminium
Beam Angle	Degree Adjustable
Dimensions	180mm(Height) 65mm(Width)
LED	CREE



### Product Part Code

HA-14-3535-TR-14-<BEAM>-<CCT>-<BODY COLOR>

Comes with on/off drivers(Default)

### Also Available with Following Driver

Triac Dimmable

0-10 Analog Dimmable

DALI Dimmable / DALI 2.0

Smart  



*\*For representational purposes only*

Driver Type to be mentioned with order

## Track Light 36TR-CLDI-35

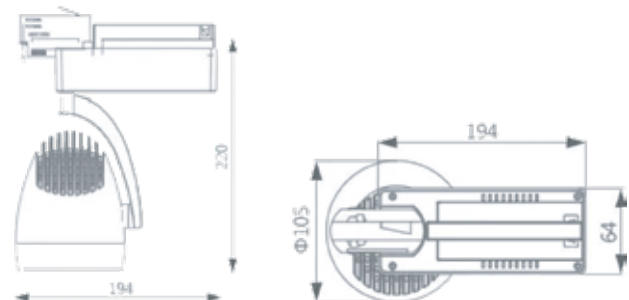
Wattage	35W
CCT	3000K / 4000K / 6000K
Body Color	White / Black
Input Voltage	185-265V
Inner Color	Same as Body Color
CRI	>85
THD	<15
PF	>0.9
Operating Temperature	-10°C to +60°C
Material	Aluminium
Beam Angle	36°
Dimensions	220mm(Height) 105mm(Width)
LED	CREE



### Product Part Code

HA-14-3535-CD-14-<BEAM>-<CCT>-<BODY COLOR>

Comes with on/off drivers(Default)



### Also Available with Following Driver

Triac Dimmable

0-10 Analog Dimmable

DALI Dimmable / DALI 2.0

Smart  



*\*For representational purposes only*

Driver Type to be mentioned with order

## Track Light 14TR-414-14

Wattage	14W
CCT	3000K / 4000K / 6000K
Body Color	White / Black
Input Voltage	185-265V
Inner Color	Black
CRI	>85
THD	<15
PF	>0.9
Operating Temperature	-10°C to +60°C
Material	Aluminium
Beam Angle	40°
Dimensions	95mm(Height) 65mm(Width) 148mm(Length)
LED	CREE



### Product Part Code

HA-14TR-714-14-<BEAM>-<CCT>-<BODY COLOR>

Comes with on/off drivers(Default)

### Also Available with Following Driver

Triac Dimmable

0-10 Analog Dimmable

DALI Dimmable / DALI 2.0

Smart  

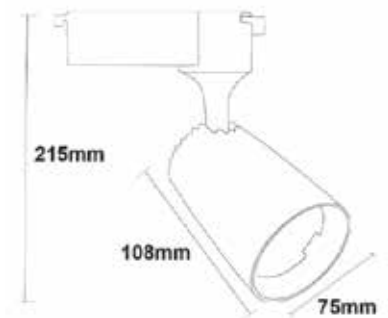


*\*For representational purposes only*

Driver Type to be mentioned with order

## Track Light 21TR-414-14

Wattage	21W
CCT	3000K / 4000K / 6000K
Body Color	White / Black
Input Voltage	185-265V
Inner Color	Black
CRI	>85
THD	<15
PF	>0.9
Operating Temperature	-10°C to +60°C
Material	Aluminium
Beam Angle	40°
Dimensions	108mm(Height) 75mm(Width) 215mm(Length)
LED	CREE



### Product Part Code

HA-21TR-714-14-<BEAM>-<CCT>-<BODY COLOR>

Comes with on/off drivers(Default)

### Also Available with Following Driver

Triac Dimmable

0-10 Analog Dimmable

DALI Dimmable / DALI 2.0

Smart  

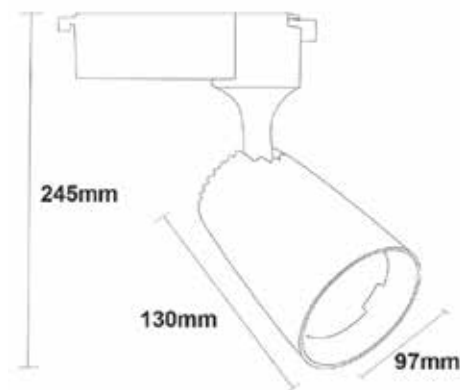


*\*For representational purposes only*

Driver Type to be mentioned with order

## Track Light 35TR-414-14

Wattage	35W
CCT	3000K / 4000K / 6000K
Body Color	White / Black
Input Voltage	185-265V
Inner Color	Black
CRI	>85
THD	<15
PF	>0.9
Operating Temperature	-10°C to +60°C
Material	Aluminium
Beam Angle	40°
Dimensions	130mm(Height) 97mm(Width) 245mm(Length)
LED	CREE



### Product Part Code

HA-35TR-714-14-<BEAM>-<CCT>-<BODY COLOR>

Comes with on/off drivers(Default)

### Also Available with Following Driver

Triac Dimmable

0-10 Analog Dimmable

DALI Dimmable / DALI 2.0

Smart  

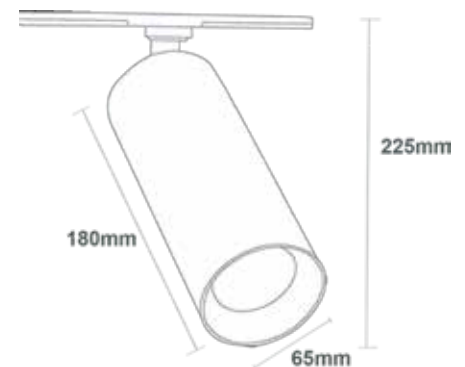


*\*For representational purposes only*

Driver Type to be mentioned with order

## Track Light 14-4714-14

Wattage	14W
CCT	3000K / 4000K / 6000K
Body Color	White / Black
Input Voltage	185-265V
Inner Color	Black
CRI	>85
THD	<15
PF	>0.9
Operating Temperature	-10°C to +60°C
Material	Aluminium
Beam Angle	40°
Dimensions	180mm(Height) 65mm(Width) 225(Length)
LED	CREE



### Product Part Code

HA-14-4714-14-<BEAM><CCT>-<BODY COLOR>

Comes with on/off drivers(Default)

### Also Available with Following Driver

Triac Dimmable

0-10 Analog Dimmable

DALI Dimmable / DALI 2.0

Smart  

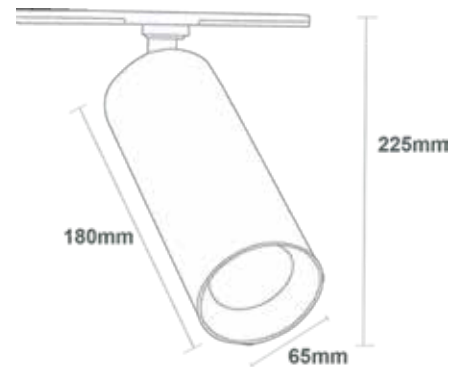


*\*For representational purposes only*

Driver Type to be mentioned with order

## Track Light 21-4714-14

Wattage	21W
CCT	3000K / 4000K / 6000K
Body Color	White / Black
Input Voltage	185-265V
Inner Reflector	Black
CRI	>85
THD	<15
PF	>0.9
Operating Temperature	-10°C to +60°C
Material	Aluminium
Beam Angle	40°
Dimensions	180mm(Height) 65mm(Width) 225(Length)
LED	CREE



### Product Part Code

HA-21-4714-21-<BEAM><CCT>-<BODY COLOR>

Comes with on/off drivers(Default)

### Also Available with Following Driver

Triac Dimmable

0-10 Analog Dimmable

DALI Dimmable / DALI 2.0

Smart  

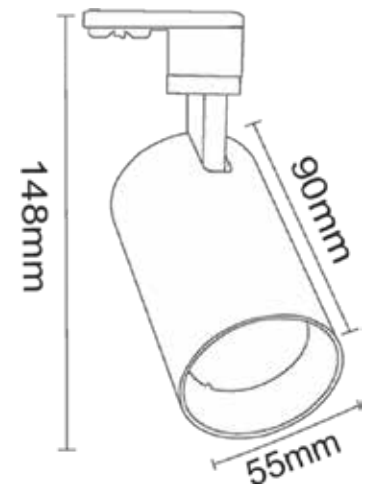


*\*For representational purposes only*

Driver Type to be mentioned with order

## Track Light 09TR-777-09

Wattage	9W
CCT	3000K / 4000K / 6000K
Body Color	White / Black
Input Voltage	185-265V
Inner Color	Black
CRI	>85
THD	<15
PF	>0.9
Operating Temperature	-10°C to +60°C
Material	Aluminium
Beam Angle	38°
Dimensions	148mm(Height) 55mm(Width) 90mm(Length)
LED	CREE



### Product Part Code

HA-09TR-777-09-<BEAM>-<CCT>-<BODY COLOR>

Comes with on/off drivers(Default)

### Also Available with Following Driver

Triac Dimmable

0-10 Analog Dimmable

DALI Dimmable / DALI 2.0

Smart  

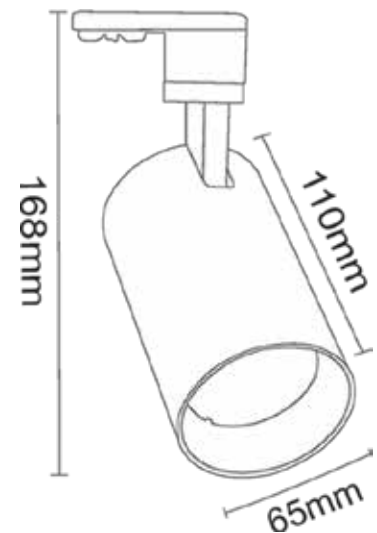


*\*For representational purposes only*

Driver Type to be mentioned with order

## Track Light 14TR-777-09

Wattage	14W
CCT	3000K / 4000K / 6000K
Body Color	White / Black
Input Voltage	185-265V
Inner Color	Black
CRI	>85
THD	<15
PF	>0.9
Operating Temperature	-10°C to +60°C
Material	Aluminium
Beam Angle	38°
Dimensions	168mm(Height) 65mm(Width) 110mm(Length)
LED	CREE



### Product Part Code

HA-14TR-777-09-<BEAM>-<CCT>-<BODY COLOR>

Comes with on/off drivers(Default)

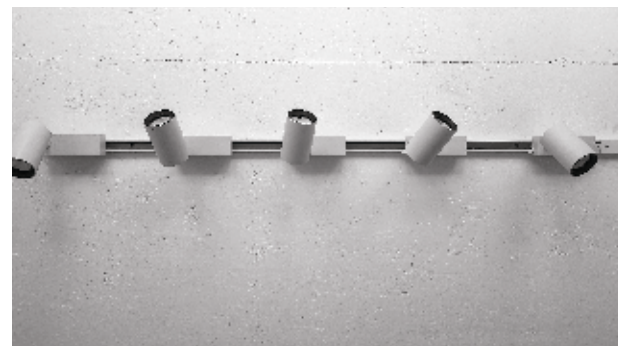
### Also Available with Following Driver

Triac Dimmable

0-10 Analog Dimmable

DALI Dimmable / DALI 2.0

Smart  

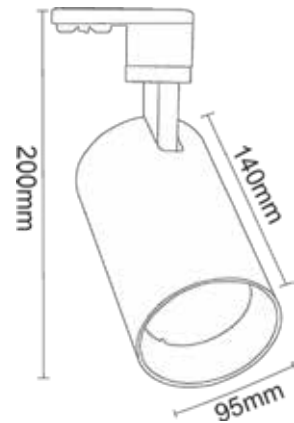


*\*For representational purposes only*

Driver Type to be mentioned with order

## Track Light 35TR-777-35

Wattage	35W
CCT	3000K / 4000K / 6000K
Body Color	White / Black
Input Voltage	185-265V
Inner Color	Black
CRI	>85
THD	<15
PF	>0.9
Operating Temperature	-10°C to +60°C
Material	Aluminium
Beam Angle	38°
Dimensions	200mm(Height) 95mm(Width) 140mm(Length)
LED	CREE



### Product Part Code

HA-35TR-777-35-<BEAM><CCT>-<BODY COLOR>

Comes with on/off drivers(Default)

### Also Available with Following Driver

Triac Dimmable

0-10 Analog Dimmable

DALI Dimmable / DALI 2.0

Smart  

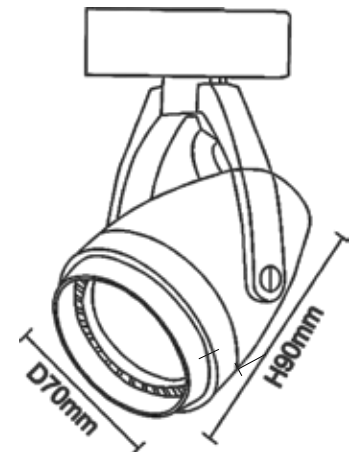


*\*For representational purposes only*

Driver Type to be mentioned with order

## Track Light 14-WL-14

Wattage	14W
CCT	3000K / 4000K / 6000K
Body Color	White / Black
Input Voltage	185-265V
Inner Color	Same as Body Color
CRI	>85
THD	<15
PF	>0.9
Operating Temperature	10°C to +60°C
Material	Aluminium
Beam Angle	40°
Dimensions	90mm(Height) 70mm(Width)
LED	CREE



### Product Part Code

HA-14-WL-14-<BEAM>-<CCT>-<BODY COLOR>

Comes with on/off drivers(Default)

### Also Available with Following Driver

Triac Dimmable

0-10 Analog Dimmable

DALI Dimmable / DALI 2.0

Smart  

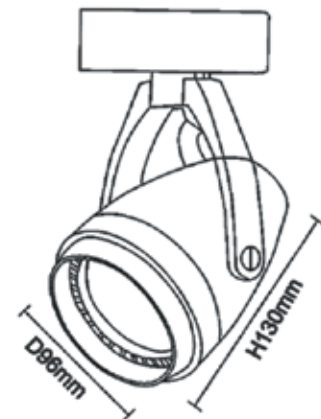


*\*For representational purposes only*

Driver Type to be mentioned with order

## Track Light 21-WL-21

Wattage	21W
CCT	3000K / 4000K / 6000K
Body Color	White / Black
Input Voltage	185-265V
Inner Color	Same as Body Color
CRI	>85
THD	<15
PF	>0.9
Operating Temperature	-10°C to +60°C
Material	Aluminium
Beam Angle	40°
Dimensions	130mm(Height) 96mm(Width)
LED	CREE



### Product Part Code

HA-21-WL-21-<BEAM>-<CCT>-<BODY COLOR>

Comes with on/off drivers(Default)

### Also Available with Following Driver

Triac Dimmable

0-10 Analog Dimmable

DALI Dimmable / DALI 2.0

Smart  

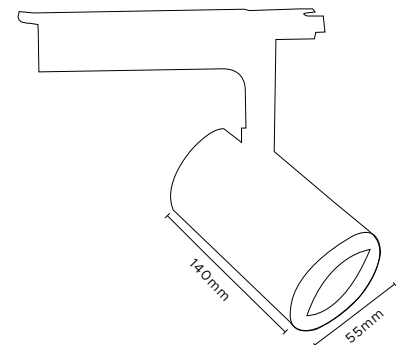


*\*For representational purposes only*

Driver Type to be mentioned with order

## Track Light 21-TR-Dimmable

Wattage	21W
CCT	3000K / 4000K / 6000K
Body Color	White / Black
Input Voltage	185-265V
Inner Color	Black
CRI	>85
THD	<15
PF	>0.9
Operating Temperature	-10°C to +60°C
Material	Aluminium
Beam Angle	40°
Dimensions	140mm(Height) 55mm(Width)
LED	CREE



### Product Part Code

HA-21-TR-DIMMABLE-<BEAM>-<CCT>-<BODY COLOR>

Comes with on/off drivers(Default)

### Also Available with Following Driver

Triac Dimmable

0-10 Analog Dimmable

DALI Dimmable / DALI 2.0

Smart  

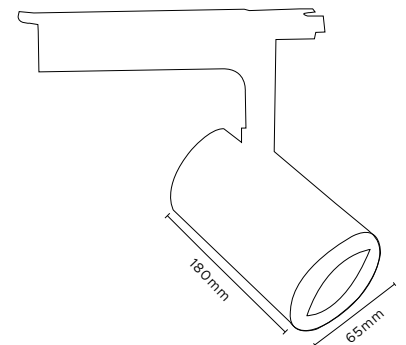


*\*For representational purposes only*

Driver Type to be mentioned with order

## Track Light 35-TR-Dimmable

Wattage	35W
CCT	3000K / 4000K / 6000K
Body Color	White / Black
Input Voltage	185-265V
Inner Color	Black
CRI	>85
THD	<15
PF	>0.9
Operating Temperature	-10°C to +60°C
Material	Aluminium
Beam Angle	40°
Dimensions	180mm(Height) 65mm(Width)
LED	CREE



### Product Part Code

HA-35-TR-DIMMABLE-<BEAM>-<CCT>-<BODY COLOR>

Comes with on/off drivers(Default)

### Also Available with Following Driver

Triac Dimmable

0-10 Analog Dimmable

DALI Dimmable / DALI 2.0

Smart  

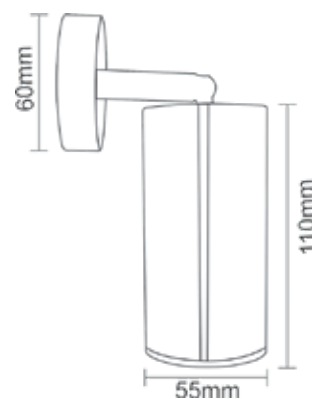


*\*For representational purposes only*

Driver Type to be mentioned with order

## Track Light Spot 14WL-714

Wattage	14W
CCT	3000K / 4000K / 6000K
Body Color	Gun Metal   Brass Gold   Rose Gold
Input Voltage	185-265V
Inner Reflector	Same as Body Color
CRI	>85
THD	<15
PF	>0.9
Operating Temperature	-10°C to +60°C
Material	Aluminium
Beam Angle	40°
Dimensions	130mm(Height) 97mm(Width) 245mm(Length)
LED	CREE



### Product Part Code

HA-14WL-714-<BEAM>-<CCT>-<BODY COLOR>

Comes with on/off drivers(Default)

### Also Available with Following Driver

Triac Dimmable

0-10 Analog Dimmable

DALI Dimmable / DALI 2.0

Smart  

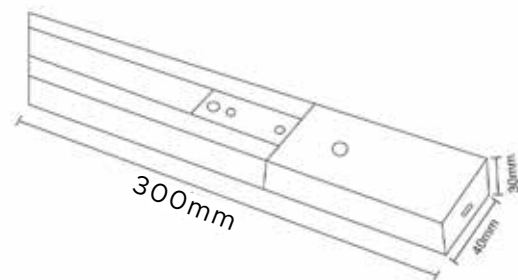
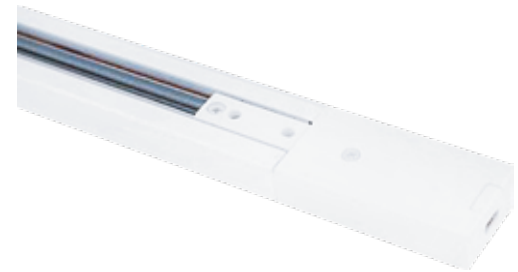


*\*For representational purposes only*

Driver Type to be mentioned with order

## Track Channel 1 feet Surface

Wattage	NA
CCT	NA
Body Color	White / Black
Input Voltage	NA
Inner Reflector	NA
CRI	N/A
THD	NA
PF	NA
Operating Temperature	NA
Material	Aluminium
Beam Angle	NA
Dimensions	30mm(Height) 40mm(Width) 300mm(Length)
LED	NA



### Product Part Code

HA-TP-1FEET-SURFACE-<BEAM><CCT>-<BODY COLOR>

Comes with on/off drivers(Default)

### Also Available with Following Driver

Triac Dimmable

0-10 Analog Dimmable

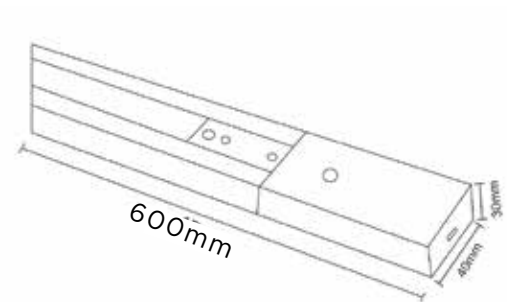
DALI Dimmable / DALI 2.0

Smart  

Driver Type to be mentioned with order

## Track Channel 2 feet Surface

Wattage	NA
CCT	NA
Body Color	White / Black
Input Voltage	NA
Inner Reflector	NA
CRI	N/A
THD	NA
PF	NA
Operating Temperature	NA
Material	Aluminium
Beam Angle	NA
Dimensions	30mm(Height) 40mm(Width) 600mm(Length)
LED	NA



### Product Part Code

HA-TP-2 FEET SURFACE-<BEAM><CCT>-<BODY COLOR>

Comes with on/off drivers(Default)

### Also Available with Following Driver

Triac Dimmable

0-10 Analog Dimmable

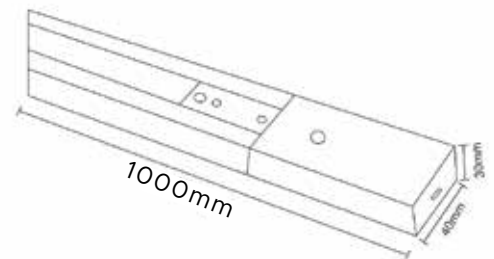
DALI Dimmable / DALI 2.0

Smart  

Driver Type to be mentioned with order

## Track Channel 1 meter Surface

Wattage	NA
CCT	NA
Body Color	White / Black
Input Voltage	NA
Inner Reflector	NA
CRI	N/A
THD	NA
PF	NA
Operating Temperature	NA
Material	Aluminium
Beam Angle	NA
Dimensions	30mm(Height) 40mm(Width) 1000mm(Length)
LED	NA



### Product Part Code

HA-TP-1-METER-SURFACE-<BEAM><CCT>-<BODY COLOR>

Comes with on/off drivers(Default)

### Also Available with Following Driver

Triac Dimmable

0-10 Analog Dimmable

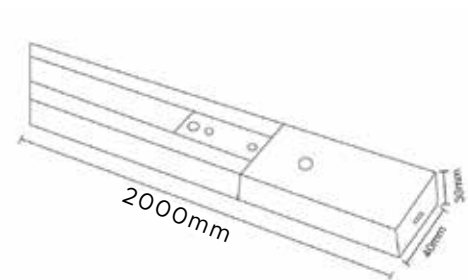
DALI Dimmable / DALI 2.0

Smart  

Driver Type to be mentioned with order

## Track Channel 2 meter Surface

Wattage	NA
CCT	NA
Body Color	White / Black
Input Voltage	NA
Inner Reflector	NA
CRI	N/A
THD	NA
PF	NA
Operating Temperature	NA
Material	Aluminium
Beam Angle	NA
Dimensions	30mm(Height) 40mm(Width) 2000mm(Length)
LED	NA



### Product Part Code

HA-TP-2-METER-SURFACE--<BEAM><CCT>-<BODY COLOR>

Comes with on/off drivers(Default)

### Also Available with Following Driver

Triac Dimmable

0-10 Analog Dimmable

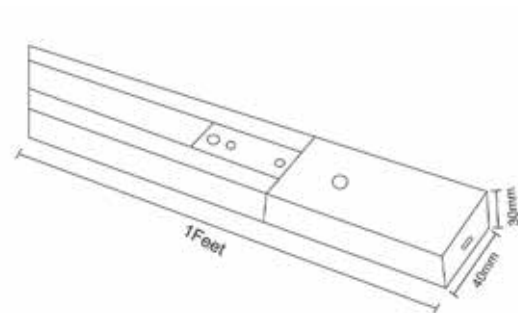
DALI Dimmable / DALI 2.0

Smart  

Driver Type to be mentioned with order

## Track Channel 3 meter Surface

Wattage	NA
CCT	NA
Body Color	White / Black
Input Voltage	NA
Inner Reflector	NA
CRI	N/A
THD	NA
PF	NA
Operating Temperature	NA
Material	Aluminium
Beam Angle	NA
Dimensions	30mm(Height) 40mm(Width) 3000mm(Length)
LED	NA



### Product Part Code

HA-TP-3-METER-SURFACE-<BEAM><CCT>--<BODY COLOR>

Comes with on/off drivers(Default)

### Also Available with Following Driver

Triac Dimmable

0-10 Analog Dimmable

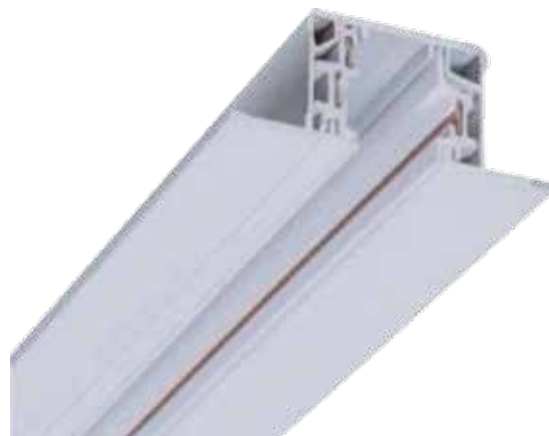
DALI Dimmable / DALI 2.0

Smart  

Driver Type to be mentioned with order

## Track Channel 1 meter Concealed

Wattage	NA
CCT	NA
Body Color	White / Black
Input Voltage	NA
Inner Reflector	NA
CRI	N/A
THD	NA
PF	NA
Operating Temperature	NA
Material	Aluminium
Beam Angle	NA
Dimensions	30mm(Height) 40mm(Width) 1000mm(Length)
LED	NA



### Product Part Code

HA-TP-1-METER-CONCEAL-<BEAM><CCT>--<BODY COLOR>

Comes with on/off drivers(Default)

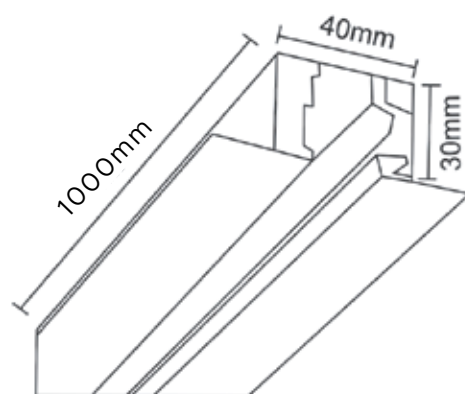
### Also Available with Following Driver

Triac Dimmable

0-10 Analog Dimmable

DALI Dimmable / DALI 2.0

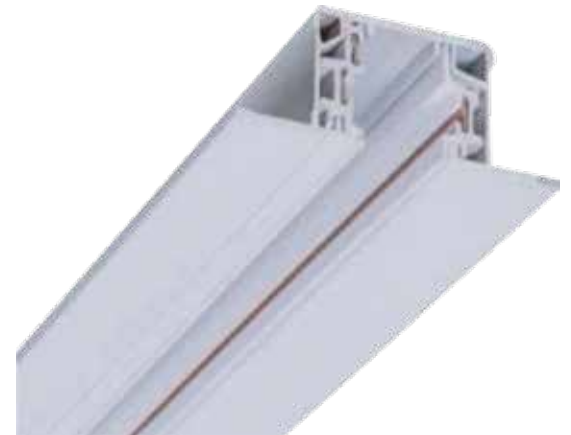
Smart  



Driver Type to be mentioned with order

## Track Channel 2 meter Concealed

Wattage	NA
CCT	NA
Body Color	White / Black
Input Voltage	NA
Inner Reflector	NA
CRI	N/A
THD	NA
PF	NA
Operating Temperature	NA
Material	Aluminium
Beam Angle	NA
Dimensions	30mm(Height) 40mm(Width) 1000mm(Length)
LED	NA



### Product Part Code

HA-TP-2 METER-CONCEAL-<BEAM><CCT>-<BODY COLOR>  
Comes with on/off drivers(Default)

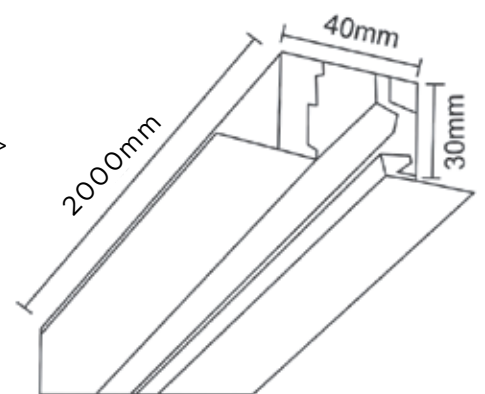
### Also Available with Following Driver

Triac Dimmable

0-10 Analog Dimmable

DALI Dimmable / DALI 2.0

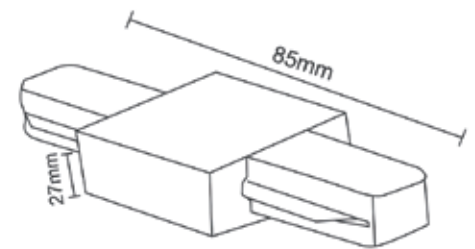
Smart  



Driver Type to be mentioned with order

## Track Connector I-Jointer

Wattage	NA
CCT	NA
Body Color	White / Black
Input Voltage	NA
Inner Reflector	NA
CRI	N/A
THD	NA
PF	NA
Operating Temperature	NA
Material	Aluminium
Beam Angle	NA
Dimensions	27mm(Height) 85mm(Width)
LED	NA



### Product Part Code

HA-TRK-I-JOINTER-<BEAM><CCT>-<BODY COLOR>

Comes with on/off drivers(Default)

### Also Available with Following Driver

Triac Dimmable

0-10 Analog Dimmable

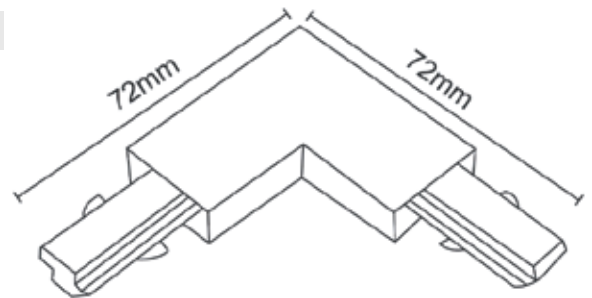
DALI Dimmable / DALI 2.0

Smart  

Driver Type to be mentioned with order

## Track Connector L-Jointer

Wattage	NA
CCT	NA
Body Color	White / Black
Input Voltage	NA
Inner Reflector	NA
CRI	N/A
THD	NA
PF	NA
Operating Temperature	NA
Material	Aluminium
Beam Angle	NA
Dimensions	72mm x72mm(Width)
LED	NA



### Product Part Code

HA-TRK-L JOINTER-<BEAM><CCT>-<BODY COLOR>  
Comes with on/off drivers(Default)

### Also Available with Following Driver

Triac Dimmable

0-10 Analog Dimmable

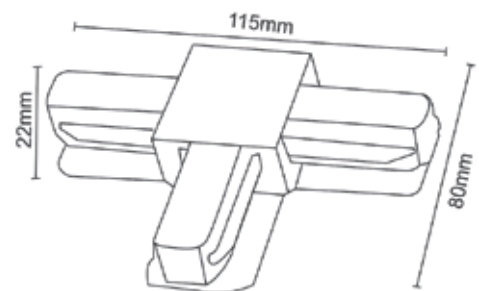
DALI Dimmable / DALI 2.0

Smart  

Driver Type to be mentioned with order

## Track Connector T Jointer

Wattage	NA
CCT	NA
Body Color	White / Black
Input Voltage	NA
Inner Reflector	NA
CRI	N/A
THD	NA
PF	NA
Operating Temperature	NA
Material	Aluminium
Beam Angle	NA
Dimensions	22mm(Height) 80mm(Width) 115m(Length)
LED	NA



### Product Part Code

HA-TRK-T-JOINTER-<BEAM><CCT>-<BODY COLOR>

Comes with on/off drivers(Default)

### Also Available with Following Driver

Triac Dimmable

0-10 Analog Dimmable

DALI Dimmable / DALI 2.0

Smart  

Driver Type to be mentioned with order

## Track Connector X Jointer

Wattage	NA
CCT	NA
Body Color	White / Black
Input Voltage	NA
Inner Reflector	NA
CRI	N/A
THD	NA
PF	NA
Operating Temperature	NA
Material	Aluminium
Beam Angle	NA
Dimensions	25mm(Height) 20mm(Width) 115mm(Length)
LED	



### Product Part Code

HA-TRK-X-JOINTER-<BEAM><CCT>-<BODY COLOR>

Comes with on/off drivers(Default)

### Also Available with Following Driver

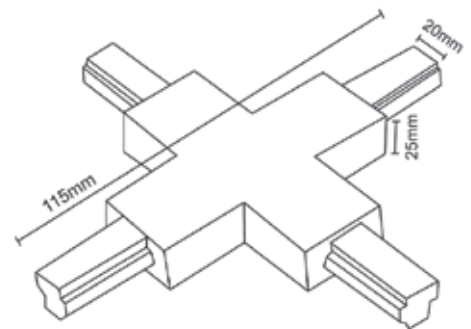
Triac Dimmable

0-10 Analog Dimmable

DALI Dimmable / DALI 2.0

Smart  

Driver Type to be mentioned with order



# MAGNETIC LIGHTS SERIES



## Magnetic Tracks Surface

Body Color	Black
Material	Aluminium
Dimensions	55mm(Height) 1000mm(Length) 28mm(Width)
Mounting	SURFACE

### Product Part Code

HA-MAG-TRK-1-SUR-<BODY COLOR>

Accessories: LIVE END | LIVE JOINTER | DUST COVER | L JOINT

(Project Specific)



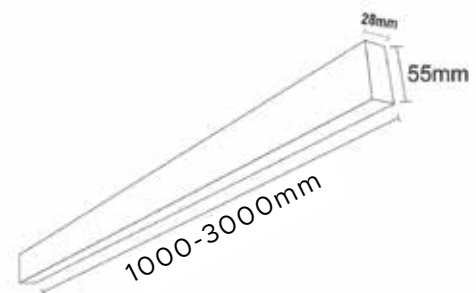
Body Color	Black
Material	Aluminium
Dimensions	55mm(Height) 2000mm(Length) 28mm(Width)
Mounting	SURFACE

### Product Part Code

HA-MAG-TRK-2-SUR-<BODY COLOR>

Accessories: LIVE END | LIVE JOINTER | DUST COVER | L JOINT

(Project Specific)



Body Color	Black
Material	Aluminium
Dimensions	55mm(Height) 3000mm(Length) 28mm(Width)
Mounting	SURFACE

### Product Part Code

HA-MAG-TRK-3-SUR-<BODY COLOR>

Accessories: LIVE END | LIVE JOINTER | DUST COVER | L JOINT

(Project Specific)



*\*For representational purposes only*

## Magnetic Tracks Trimless

Body Color	Black
Material	Aluminium
Dimensions	55mm(Height) 1000mm(Length) 69mm(Width)
Mounting	TRIMLESS



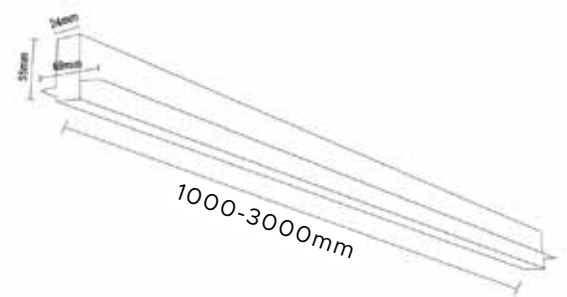
### Product Part Code

HA-MAG-TRK-1-TLS-<BODY COLOR>

Accessories: LIVE END | LIVE JOINTER | DUST COVER | L JOINT

(Project Specific)

Body Color	Black
Material	Aluminium
Dimensions	55mm(Height) 2000mm(Length) 69mm(Width)
Mounting	TRIMLESS



### Product Part Code

HA-MAG-TRK-2-TLS-<BODY COLOR>

Accessories: LIVE END | LIVE JOINTER | DUST COVER | L JOINT

(Project Specific)

Body Color	Black
Material	Aluminium
Dimensions	55mm(Height) 3000mm(Length) 69mm(Width)
Mounting	TRIMLESS



*\*For representational purposes only*

### Product Part Code

HA-MAG-TRK-3-TLS-<BODY COLOR>

Accessories: LIVE END | LIVE JOINTER | DUST COVER | L JOINT

(Project Specific)

## Magnetic Tracks Concealed

Body Color	Black
Material	Aluminium
Dimensions	57.5mm(Height) 1000mm(Length) 43.5mm(Width)
Mounting	CONCEALED



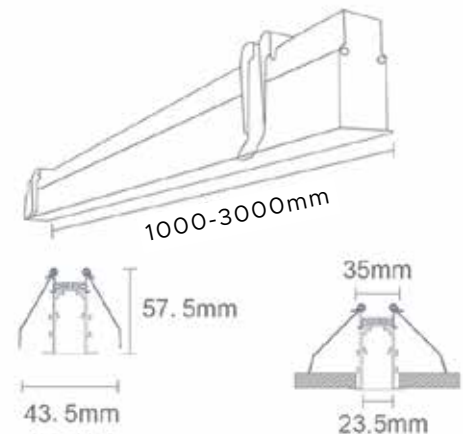
### Product Part Code

HA-MAG-TRK-1-CON-<BODY COLOR>

Accessories: LIVE END | LIVE JOINTER | DUST COVER | L JOINT

(Project Specific)

Body Color	Black
Material	Aluminium
Dimensions	57.5mm(Height) 2000mm(Length) 43.5mm(Width)
Mounting	CONCEALED



### Product Part Code

HA-MAG-TRK-2-CON-<BODY COLOR>

Accessories: LIVE END | LIVE JOINTER | DUST COVER | L JOINT

(Project Specific)

Body Color	Black
Material	Aluminium
Dimensions	57.5mm(Height) 3000mm(Length) 43.5mm(Width)
Mounting	CONCEALED



*\*For representational purposes only*

### Product Part Code

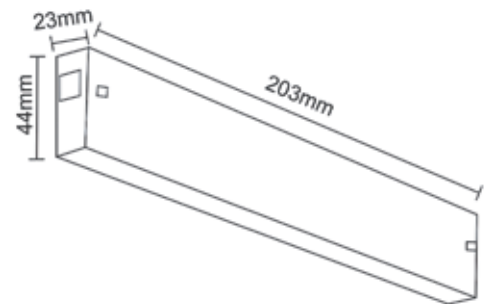
HA-MAG-TRK-3-CON-<BODY COLOR>

Accessories: LIVE END | LIVE JOINTER | DUST COVER | L JOINT

(Project Specific)

## Magnetic lights Linear-200

Wattage	7W
CCT	3000K / 4000K / 6000K
Body Color	Black
Input Voltage	185-265V
CRI	>85
THD	<15
PF	>0.9
Operating Temperature	-10°C to +60°C
Material	Aluminium
Beam Angle	120°
Dimensions	44mm(Height) 203mm(Length) 23mm(Width)
Driver	Integral ON / OFF
Mounting	Clip & Lock



### Product Part Code

HA-MAG-LINEAR-200-7-<BEAM>-<CCT>-<BODY COLOR>

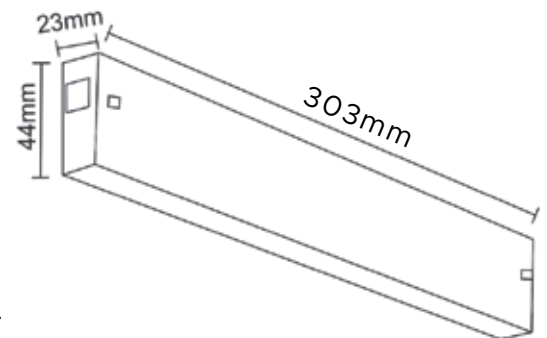
Comes with on/off drivers(Default)



*\*For representational purposes only*

## Magnetic lights Linear-300

Wattage	12W
CCT	3000K / 4000K / 6000K
Body Color	Black
Input Voltage	185-265V
CRI	>85
THD	<15
PF	>0.9
Operating Temperature	-10°C to +60°C
Material	Aluminium
Beam Angle	120°
Dimensions	44mm(Height) 303mm(Length) 23mm(Width)
Driver	Integral ON / OFF
Mounting	Clip & Lock



### Product Part Code

HA-MAG-LINEAR-300-12-<BEAM>-<CCT>-<BODY COLOR>

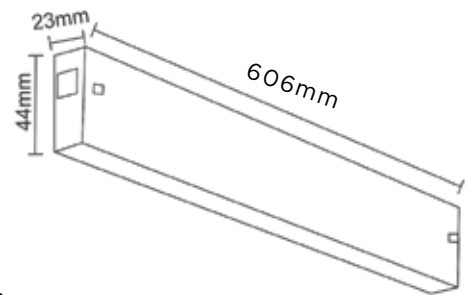
Comes with on/off drivers(Default)



*\*For representational purposes only*

## Magnetic lights Linear-600

Wattage	18W
CCT	3000K / 4000K / 6000K
Body Color	Black
Input Voltage	185-265V
CRI	>85
THD	<15
PF	>0.9
Operating Temperature	-10°C to +60°C
Material	Aluminium
Beam Angle	120°
Dimensions	44mm(Height) 606mm(Length) 23mm(Width)
Driver	Integral ON / OFF
Mounting	Clip & Lock



### Product Part Code

HA-MAG-LINEAR-600-18-<BEAM>-<CCT>-<BODY COLOR>

Comes with on/off drivers(Default)



*\*For representational purposes only*

## Magnetic Lights Dust Cover

---

Body Color	Black
Diffuser	PMMA
Dimensions	Standard

### Product Part Code

HA-MAG-DC-<LENGTH>-<BODY COLOR>



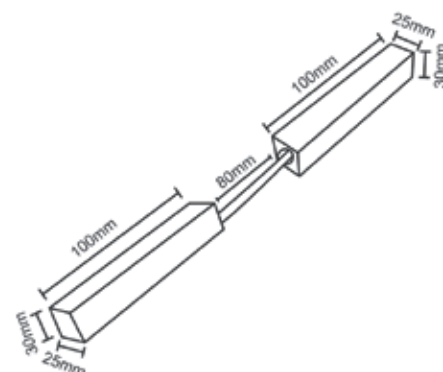
## Magnetic Track Live Joint

---

Body Color	Black
Diffuser	PMMA
Dimensions	30mm(Height)
	280mm(Length)
	25mm(Width)

### Product Part Code

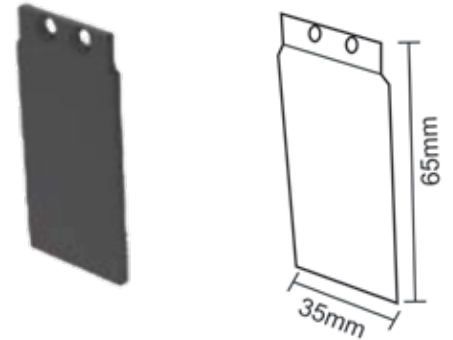
HA-MAG-LIVE-<BODY COLOR>



## Magnetic Track Live End

---

Body Color	Black
Material	Aluminium
Dimensions	65mm(Height) 35mm(Width)



### Product Part Code

HA-MAG-LE-<BODY COLOR>

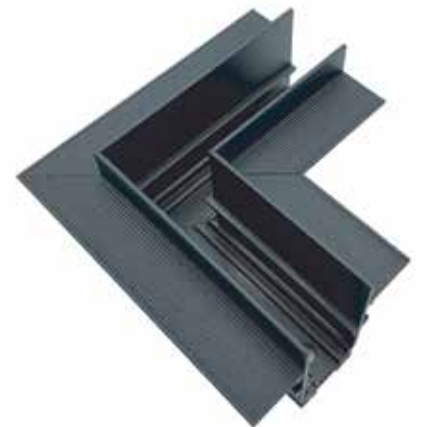
## Magnetic lights LJoint

---

Body Color	Black
Material	Aluminium
Beam Angle	NA
Dimensions	Standard
Type	Surface / Trimless / Concealed

### Product Part Code

HA-MAG-L-J-<TYPE>-<BODY COLOR>



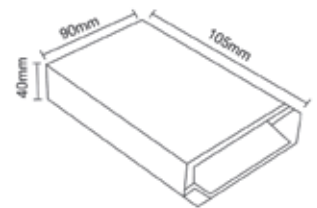
## Magnetic lights SPMS

Voltage	48V
Wattage	50W
Body Color	Sliver
Material	Aluminium
Dimensions	Standard
Driver	Constant Voltage Driver
Mounting	External

### Product Part Code

HA-SMPS-48V-<50W>-<BODY COLOR>

Comes with on/off drivers(Default)



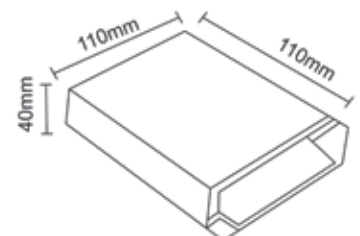
## Magnetic lights

Voltage	48V
Wattage	75W
Body Color	Sliver
Material	Aluminium
Dimensions	Standard
Driver	Constant Voltage Driver
Mounting	External

### Product Part Code

HA-SMPS-48V-<75W>-<BODY COLOR>

Comes with on/off drivers(Default)



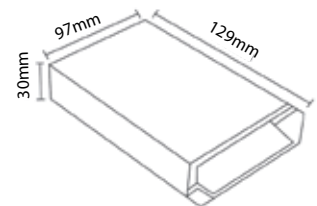
## Magnetic lights SPMS

Voltage	48V
Wattage	100W
Body Color	Sliver
Material	Aluminium
Dimensions	Standard
Driver	Constant Voltage Driver
Mounting	External

### Product Part Code

HA-SMPS-48V-<100W>-<BODY COLOR>

Comes with on/off drivers(Default)



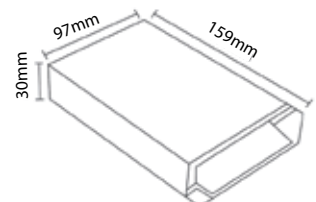
## Magnetic lights

Voltage	48V
Wattage	150W
Body Color	Sliver
Material	Aluminium
Dimensions	Standard
Driver	Constant Voltage Driver
Mounting	External

### Product Part Code

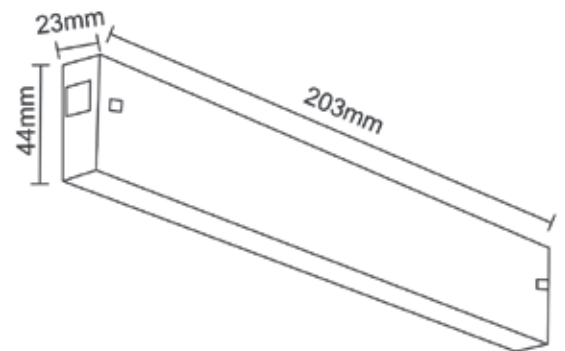
HA-SMPS-48V-<150W>-<BODY COLOR>

Comes with on/off drivers(Default)



## Magnetic lights Linear-200

Wattage	7W
CCT	3000K / 4000K / 6000K
Body Color	Silver
Input Voltage	48V
CRI	>85
THD	<15
PF	>0.9
Operating Temperature	-10°C to +60°C
Material	Aluminium
Beam Angle	120°
Dimensions	44mm(Height) 203mm(Length) 23mm(Width)
Mounting	Clip & Lock



### Product Part Code

HA-MAG-LINEAR-200-7-<BEAM>-<CCT>-<BODY COLOR>

Comes with on/off drivers(Default)

### Also Available with Following Driver

0-10 Analog Dimmable

DALI Dimmable / DALI 2.0

Smart  

Smart with CCT Tuning

DALI with CCT Tuning

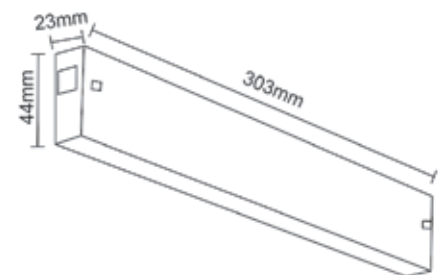


*\*For representational purposes only*

Driver Type to be mentioned with order

## Magnetic lights Linear-300

Wattage	12W
CCT	3000K / 4000K / 6000K
Body Color	Silver
Input Voltage	48V
CRI	>85
THD	<15
PF	>0.9
Operating Temperature	-10°C to +60°C
Material	Aluminium
Beam Angle	120°
Dimensions	44mm(Height) 303mm(Length) 23mm(Width)
Mounting	Clip & Lock



### Product Part Code

HA-MAG-LINEAR-300-12-<BEAM>-<CCT>-<BODY COLOR>

Comes with on/off drivers(Default)

### Also Available with Following Driver

0-10 Analog Dimmable

DALI Dimmable / DALI 2.0

Smart  

Smart with CCT Tuning

DALI with CCT Tuning

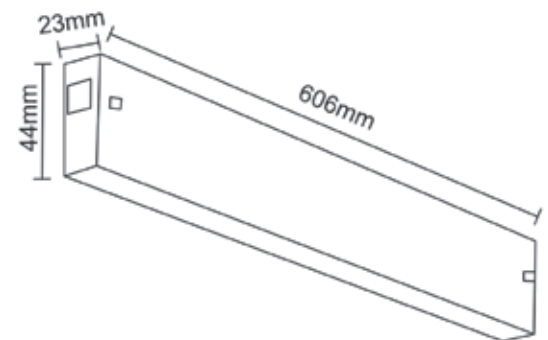


*\*For representational purposes only*

Driver Type to be mentioned with order

## Magnetic lights Linear-600

Wattage	18W
CCT	3000K / 4000K / 6000K
Body Color	Silver
Input Voltage	48V
CRI	>85
THD	<15
PF	>0.9
Operating Temperature	-10°C to +60°C
Material	Aluminium
Beam Angle	120°
Dimensions	44mm(Height) 606mm(Length) 23mm(Width)
Mounting	Clip & Lock



### Product Part Code

HA-MAG-LINEAR-600-18-<BEAM>-<CCT>-<BODY COLOR>

Comes with on/off drivers(Default)

### Also Available with Following Driver

0-10 Analog Dimmable

DALI Dimmable / DALI 2.0

Smart  

Smart with CCT Tuning

DALI with CCT Tuning

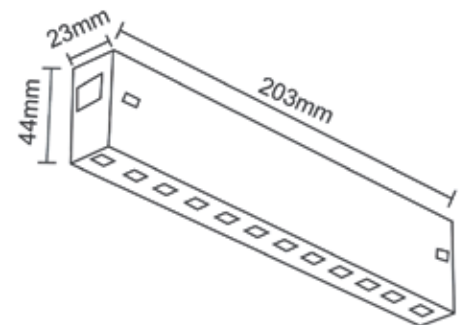


*\*For representational purposes only*

Driver Type to be mentioned with order

## Magnetic lights Laser-300

Wattage	12W
CCT	3000K / 4000K / 6000K
Body Color	Black
Input Voltage	48V
CRI	>85
THD	<15
PF	>0.9
Operating Temperature	-10°C to +60°C
Material	Aluminium
Beam Angle	38°
Dimensions	44mm(Height) 203mm(Length) 23mm(Width)
Mounting	Clip & Lock



### Product Part Code

HA-MAG-LASER-300-12-<BEAM>-<CCT>-<BODY COLOR>

Comes with on/off drivers(Default)

### Also Available with Following Driver

0-10 Analog Dimmable

DALI Dimmable / DALI 2.0

Smart  

Smart with CCT Tuning

DALI with CCT Tuning



*\*For representational purposes only*

Driver Type to be mentioned with order

## Magnetic Lights Laser-300

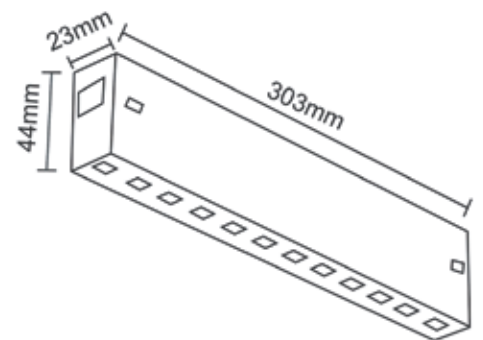
Wattage	18W
CCT	3000K / 4000K / 6000K
Body Color	Black
Input Voltage	48V
CRI	>85
THD	<15
PF	>0.9
Operating Temperature	-10°C to +60°C
Material	Aluminium
Beam Angle	38°
Dimensions	44mm(Height) 303mm(Length) 23mm(Width)
Mounting	Clip & Lock



### Product Part Code

HA-MAG-LASER-300-18-<BEAM>-<CCT>-<BODY COLOR>

Comes with on/off drivers(Default)



### Also Available with Following Driver

0-10 Analog Dimmable

DALI Dimmable / DALI 2.0

Smart  

Smart with CCT Tuning

DALI with CCT Tuning



*\*For representational purposes only*

Driver Type to be mentioned with order

## Magnetic lights TRK-12

Wattage	12W
CCT	3000K / 4000K / 6000K
Body Color	Black
Input Voltage	48V
CRI	>85
THD	<15
PF	>0.9
Operating Temperature	-10°C to +60°C
Material	Aluminium
Beam Angle	38°
Dimensions	80mm(Height) 35mm(Width)
Mounting	Clip & Lock



### Product Part Code

HA-MAG-TRK-12-<BEAM>-<CCT>-<BODY COLOR>

Comes with on/off drivers(Default)

### Also Available with Following Driver

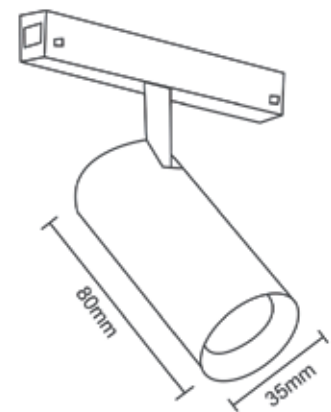
0-10 Analog Dimmable

DALI Dimmable / DALI 2.0

Smart  

Smart with CCT Tuning

DALI with CCT Tuning

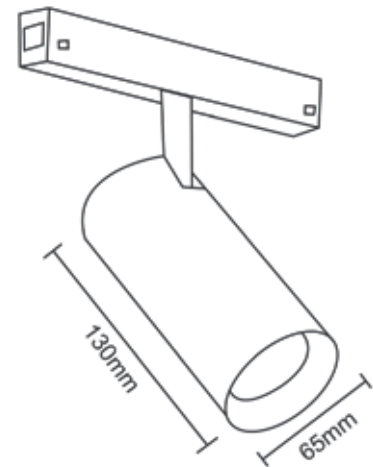


*\*For representational purposes only*

Driver Type to be mentioned with order

## Magnetic lights TRK-18

Wattage	18W
CCT	3000K / 4000K / 6000K
Body Color	Black
Input Voltage	48V
CRI	>85
THD	<15
PF	>0.9
Operating Temperature	-10°C to +60°C
Material	Aluminium
Beam Angle	38°
Dimensions	130mm(Height) 65mm(Width)
Mounting	Clip & Lock



### Product Part Code

HA-MAG-TRK-18-<BEAM>-<CCT>-<BODY COLOR>

Comes with on/off drivers(Default)

### Also Available with Following Driver

0-10 Analog Dimmable

DALI Dimmable / DALI 2.0

Smart  

Smart with CCT Tuning

DALI with CCT Tuning

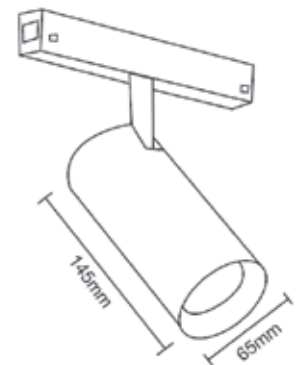


*\*For representational purposes only*

Driver Type to be mentioned with order

## Magnetic lights TRK-30

Wattage	30W
CCT	3000K / 4000K / 6000K
Body Color	Black
Input Voltage	48V
CRI	>85
THD	<15
PF	>0.9
Operating Temperature	-10°C to +60°C
Material	Aluminium
Beam Angle	38°
Dimensions	145mm(Height) 65mm(Width)
Mounting	Clip & Lock



### Product Part Code

HA-MAG-TRK-30-<BEAM>-<CCT>-<BODY COLOR>

Comes with on/off drivers(Default)

### Also Available with Following Driver

0-10 Analog Dimmable

DALI Dimmable / DALI 2.0

Smart  

Smart with CCT Tuning

DALI with CCT Tuning



*\*For representational purposes only*

Driver Type to be mentioned with order

## Magnetic lights LaserWW-12

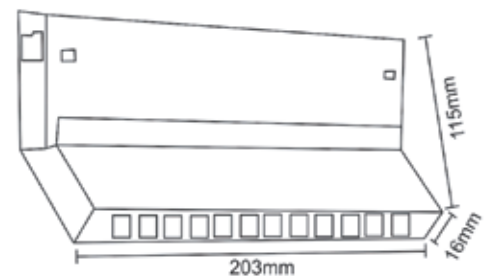
Wattage	12W
CCT	3000K / 4000K / 6000K
Body Color	Black
Input Voltage	48V
CRI	>85
THD	<15
PF	>0.9
Operating Temperature	-10°C to +60°C
Material	Aluminium
Beam Angle	38°
Dimensions	115mm(Height) 203mm(Length) 16mm(Width)
Mounting	Clip & Lock



### Product Part Code

HA-MAG-LASERWW-12-<BEAM>-<CCT>-<BODY COLOR>

Comes with on/off drivers(Default)



### Also Available with Following Driver

0-10 Analog Dimmable

DALI Dimmable / DALI 2.0

Smart  

Smart with CCT Tuning

DALI with CCT Tuning



*\*For representational purposes only*

Driver Type to be mentioned with order

# STRIP LIGHTS SERIES



## LED Flexible Strip 2835-60

Wattage	6W
CCT (Option1)	3000K/ 4000K/ 6000K
RGB+CCT (Option2)	R/G/B/2700K/5000K
Colors (Option3)	Rose Red/Lemon Yellow /Pink/Purple/Ice Blue /Amber/Orange
Input Voltage	185-265V
CRI	>85
THD	<15
PF	>0.9
Operating Temperature	-10°C to +60°C
Material	PCB
Beam Angle	120°
Lumes	24-26Lms
Number of LED	60
IP	20/65
Voltage	12v/24v
Dimensions	5000mm(Length) 8mm(Width)



### Product Part Code

HA-2835-60-6-<OPTION>-<IP>

Comes with on/off drivers(Default)

### Also Available with Following Driver

Triac Dimmable

0-10 Analog Dimmable

DALI Dimmable / DALI 2.0

Smart  



*\*For representational purposes only*

Driver Type to be mentioned with order

## LED Flexible Strip 2835-120

Wattage	12W
CCT	3000K/ 4000K/ 6000K
Input Voltage	185-265V
CRI	80
THD	<15
PF	>0.9
Operating Temperature	-10°C to +60°C
Material	PCB
Beam Angle	120°
Lumes	8-10Lms
Number of LED	120
IP	20/65
Voltage	12v/24v
Dimensions	5000mm(Length)
	10mm(Width)



### Product Part Code

HA-2835-120-12-<BEAM>-<CCT>-<BODY COLOR>

Comes with on/off drivers(Default)

Special LED colors available on request | Also available in 5mm PCB

### Also Available with Following Driver

Triac Dimmable

0-10 Analog Dimmable

DALI Dimmable / DALI 2.0

Smart  



*\*For representational purposes only*

Driver Type to be mentioned with order

## LED Flexible Strip 2835-120

Wattage	16W
CCT	3000K/ 4000K/ 6000K
Input Voltage	185-265V
CRI	80
THD	<15
PF	>0.9
Operating Temperature	-10°C to +60°C
Material	PCB
Beam Angle	120°
Lumes	24-26Lms
Number of LED	1200
IP	20/65
Voltage	12v/24v
Dimensions	5000mm(Length) 10mm(Width)



### Product Part Code

HA-2835-120-16-<BEAM>-<CCT>-<BODY COLOR>

Comes with on/off drivers(Default)

Special LED colors available on request | Also available in 5mm PCB

### Also Available with Following Driver

Triac Dimmable

0-10 Analog Dimmable

DALI Dimmable / DALI 2.0

Smart  



*\*For representational purposes only*

Driver Type to be mentioned with order

## LED Flexible Strip 2835-168

Wattage	20W
CCT	3000K/ 4000K/ 6000K
Input Voltage	185-265V
CRI	80
THD	<15
PF	>0.9
Operating Temperature	-10°C to +60°C
Material	PCB
Beam Angle	120°
Lumes	24-26Lms
Number of LED	168
IP	20/65
Voltage	12v/24v
Dimensions	5000mm(Length) 10mm(Width)



### Product Part Code

HA-2835-168-<BEAM>-<CCT>-<BODY COLOR>

Comes with on/off drivers(Default)

Special LED colors available on request | Also available in 5mm PCB

### Also Available with Following Driver

Triac Dimmable

0-10 Analog Dimmable

DALI Dimmable / DALI 2.0

Smart  



*\*For representational purposes only*

Driver Type to be mentioned with order

## LED Flexible Strip 2835-240

Wattage	24W
CCT	3000K/ 4000K/ 6000K
Input Voltage	185-265V
CRI	80
THD	<15
PF	>0.9
Operating Temperature	-10°C to +60°C
Material	PCB
Beam Angle	120°
Lumes	24-26Lms
Number of LED	240
IP	20/65
Voltage	12v/24v
Dimensions	5000mm(Length) 10mm(Width)



### Product Part Code

HA-2835-240-<BEAM>-<CCT>-<BODY COLOR>

Comes with on/off drivers(Default)

Special LED colors available on request

### Also Available with Following Driver

Triac Dimmable

0-10 Analog Dimmable

DALI Dimmable / DALI 2.0

Smart  



*\*For representational purposes only*

Driver Type to be mentioned with order

## LED Flexible Strip 2110-700-36W

Wattage	36W
CCT	3000K/ 4000K/ 6000K
Input Voltage	185-265V
CRI	80
THD	<15
PF	>0.9
Operating Temperature	-10°C to +60°C
Material	PCB
Beam Angle	120°
Lumes	24-26Lms
Number of LED	700
IP	20/65
Voltage	12v/24v
Dimensions	5000mm(Length) 12mm(Width)



### Product Part Code

HA-LED-2110-700-36-<BEAM>-<CCT>-<BODY COLOR>

Comes with on/off drivers(Default)

Special LED colors available on request

### Also Available with Following Driver

Triac Dimmable

0-10 Analog Dimmable

DALI Dimmable / DALI 2.0

Smart  



*\*For representational purposes only*

Driver Type to be mentioned with order

## LED Flexible Strip 2835-360

Wattage	36W
CCT	3000K/ 4000K/ 6000K
Input Voltage	185-265V
CRI	80
THD	<15
PF	>0.9
Operating Temperature	-10°C to +60°C
Material	PCB
Beam Angle	120°
Lumes	24-26Lms
Number of LED	360
IP	20/65
Voltage	12v
Dimensions	5000mm(Length) 30mm(Width)



### Product Part Code

HA-2835-360-<BEAM>-<CCT>-<BODY COLOR>

Comes with on/off drivers(Default)

Special LED colors available on request

### Also Available with Following Driver

Triac Dimmable

0-10 Analog Dimmable

DALI Dimmable / DALI 2.0

Smart  



*\*For representational purposes only*

Driver Type to be mentioned with order

## LED Flexible Strip 2835-480

Wattage	48W
CCT	3000K/ 4000K/ 6000K
Input Voltage	185-265V
CRI	80
THD	<15
PF	>0.9
Operating Temperature	-10°C to +60°C
Material	PCB
Beam Angle	120°
Lumes	24-26Lms
Number of LED	480
IP	20/65
Voltage	12v
Dimensions	5000mm(Length) 48mm(Width)



### Product Part Code

HA-2835-360-<BEAM>-<CCT>-<BODY COLOR>

Comes with on/off drivers(Default)

Special LED colors available on request

### Also Available with Following Driver

Triac Dimmable

0-10 Analog Dimmable

DALI Dimmable / DALI 2.0

Smart  



*\*For representational purposes only*

Driver Type to be mentioned with order

### LED Flexible Strip 2835-168-CCT

Wattage	20W
CCT	2700K-6500K Tunable
Input Voltage	185-265V
CRI	80
THD	<15
PF	>0.9
Operating Temperature	-10°C to +60°C
Material	PCB
Beam Angle	120°
Lumes	24-26Lms
Number of LED	168
IP	20/65
Voltage	12v/24v
Dimensions	5000mm(Length) 10mm(Width)



#### Product Part Code

HA-2835-168-CCT-<BEAM>-<CCT>-<BODY COLOR>

Comes with on/off drivers(Default)

#### Also Available with Following Driver

Triac Dimmable

0-10 Analog Dimmable

DALI Dimmable / DALI 2.0

Smart  



*\*For representational purposes only*

Driver Type to be mentioned with order

### LED Flexible Strip 2835-240-CCT

Wattage	24W
CCT	2700K-6500K Tunable
Input Voltage	185-265V
CRI	80
THD	<15
PF	>0.9
Operating Temperature	-10°C to +60°C
Material	PCB
Beam Angle	120°
Lumes	24-26Lms
Number of LED	240
IP	20/65
Voltage	12v/24v
Dimensions	5000mm(Length) 10mm(Width)



#### Product Part Code

HA-2835-240-CCT-<BEAM>-<CCT>-<BODY COLOR>

Comes with on/off drivers(Default)

Special LED colors available on request

#### Also Available with Following Driver

Triac Dimmable

0-10 Analog Dimmable

DALI Dimmable / DALI 2.0

Smart  



*\*For representational purposes only*

Driver Type to be mentioned with order

## LED Flexible Strip 5050-60-RGB-CCT

Wattage	14.4W
CCT	RGB + 2700K-6500K Tunable
Input Voltage	185-265V
CRI	80
THD	<15
PF	>0.9
Operating Temperature	-10°C to +60°C
Material	PCB
Beam Angle	136°
Lumes	24-26Lms
Number of LED	60
IP	20/65
Voltage	24v
Dimensions	5000mm(Length) 10mm(Width)



### Product Part Code

HA-5050-60-RGB-CCT-<BEAM>-<CCT>-<BODY COLOR>

Comes with on/off drivers(Default)

### Also Available with Following Driver

Triac Dimmable

0-10 Analog Dimmable

DALI Dimmable / DALI 2.0

Smart  



*\*For representational purposes only*

Driver Type to be mentioned with order

### LED Flexible Strip 5050-60-RGB

Wattage	14.4W
CCT	RGB
Input Voltage	185-265V
CRI	80
THD	<15
PF	>0.9
Operating Temperature	-10°C to +60°C
Material	PCB
Beam Angle	120°
Lumes	8-10Lms
Number of LED	60
IP	20/65
Voltage	12v/24v
Dimensions	5000mm(Length) 10mm(Width)



#### Product Part Code

HA-5050-60-RGB-<BEAM>-<CCT>-<BODY COLOR>

Comes with on/off drivers(Default)

#### Also Available with Following Driver

Triac Dimmable

0-10 Analog Dimmable

DALI Dimmable / DALI 2.0

Smart  



*\*For representational purposes only*

Driver Type to be mentioned with order

## LED Flexible Strip 2835-120-16

Wattage	16W
CCT	RGB
Input Voltage	185-265V
CRI	80
THD	<15
PF	>0.9
Operating Temperature	-10°C to +60°C
Material	PCB
Beam Angle	120°
Lumes	24-26Lms
Number of LED	144
IP	20/65
Voltage	12v/24v
Dimensions	5000mm(Length)
	10mm(Width)



### Product Part Code

HA-2835-120-16-<BEAM>-<CCT>-<BODY COLOR>

Comes with on/off drivers(Default)

### Also Available with Following Driver

Triac Dimmable

0-10 Analog Dimmable

DALI Dimmable / DALI 2.0

Smart  



*\*For representational purposes only*

Driver Type to be mentioned with order

## LED Flexible Strip 5050-60-RGB-WW

Wattage	18W
CCT	RGB + 3000K
Body Color	NA
Input Voltage	185-265V
CRI	80
THD	<15
PF	>0.9
Operating Temperature	-10°C to +60°C
Material	PCB
Beam Angle	120°
Lumes	24-26Lms
Number of LED	60
IP	20/65
Voltage	12v/24v
Dimensions	5Mtr x 10mm



### Product Part Code

HA-5050-60-RGB-WW-<BEAM>-<CCT>-<BODY COLOR>

Comes with on/off drivers(Default)

### Also Available with Following Driver

Triac Dimmable

0-10 Analog Dimmable

DALI Dimmable / DALI 2.0

Smart  



*\*For representational purposes only*

Driver Type to be mentioned with order

## LED Flexible Strip 24V-NEON-FLEX

Wattage	12W
CCT	3000K/ 4000K/ 6000K
Body Color	NA
Input Voltage	185-265V
CRI	80
THD	<15
Operating Temperature	-10°C to +60°C
Material	PCB
Beam Angle	120°
Lumes	24-26Lms
Number of LED	1210
IP	65
Voltage	24v
Dimensions	12mm(Height)
	6mm(Width)
	25000(Length)



### Product Part Code

HA-24V-NEON-FLEX-<BEAM>-<CCT>-<BODY COLOR>

Comes with on/off drivers(Default)

Special LED colors available on request

### Also Available with Following Driver

Triac Dimmable

0-10 Analog Dimmable

DALI Dimmable / DALI 2.0

Smart  



*\*For representational purposes only*

Driver Type to be mentioned with order

## Profile 8A-SURFACE

Wattage	NA
CCT	NA
Body Color	Silver Grey
Input Voltage	NA
CRI	NA
THD	NA
PF	NA
Operating Temperature	NA
Material	Aluminium
Beam Angle	NA
Lumes	NA
Number of LED	NA
IP	20
Voltage	NA
Dimensions	(Refer Schematic for Section Details)



### Product Part Code

HA-8A-SURFACE-<BEAM>-<CCT>-<BODY COLOR>

Comes with on/off drivers(Default)

### Also Available with Following Driver

Triac Dimmable

0-10 Analog Dimmable

DALI Dimmable / DALI 2.0

Smart  

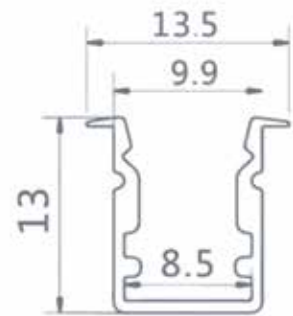


*\*For representational purposes only*

Driver Type to be mentioned with order

## Profile 8B-CONCEAL

Wattage	NA
CCT	NA
Body Color	Silver Grey
Input Voltage	NA
CRI	NA
THD	NA
PF	NA
Operating Temperature	NA
Material	Aluminium
Beam Angle	NA
Lumes	NA
Number of LED	NA
IP	20
Voltage	NA
Dimensions	(Refer Schematic for Section Details)



### Product Part Code

HA-8B-CONCEAL-<BEAM>-<CCT>-<BODY COLOR>

Comes with on/off drivers(Default)

### Also Available with Following Driver

Triac Dimmable

0-10 Analog Dimmable

DALI Dimmable / DALI 2.0

Smart  

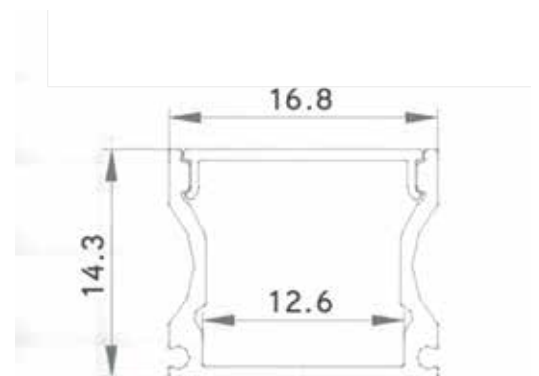


*\*For representational purposes only*

Driver Type to be mentioned with order

## Profile 17A-SURFACE

Wattage	NA
CCT	NA
Body Color	Silver Grey
Input Voltage	NA
CRI	NA
THD	NA
PF	NA
Operating Temperature	NA
Material	Aluminium
Beam Angle	NA
Lumes	NA
Number of LED	NA
IP	20
Voltage	NA
Dimensions	(Refer Schematic for Section Details)



### Product Part Code

HA-17A-SURFACE-<BEAM>-<CCT>-<BODY COLOR>

Comes with on/off drivers(Default)

### Also Available with Following Driver

Triac Dimmable

0-10 Analog Dimmable

DALI Dimmable / DALI 2.0

Smart  



*\*For representational purposes only*

Driver Type to be mentioned with order

## Profile 17B-CONCEAL

Wattage	NA
CCT	NA
Body Color	Silver Grey
Input Voltage	NA
CRI	NA
THD	NA
PF	NA
Operating Temperature	NA
Material	Aluminium
Beam Angle	NA
Lumes	NA
Number of LED	NA
IP	20
Voltage	NA
Dimensions	NA

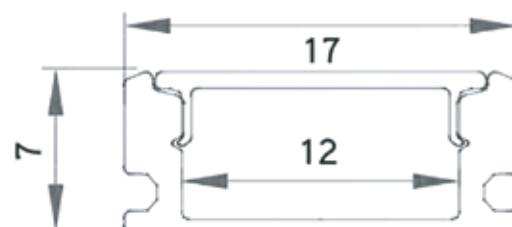


(Refer Schematic for Section Details)

### Product Part Code

HA-17B-CONCEAL-<BEAM>-<CCT>-<BODY COLOR>

Comes with on/off drivers(Default)



### Also Available with Following Driver

Triac Dimmable

0-10 Analog Dimmable

DALI Dimmable / DALI 2.0

Smart  



*\*For representational purposes only*

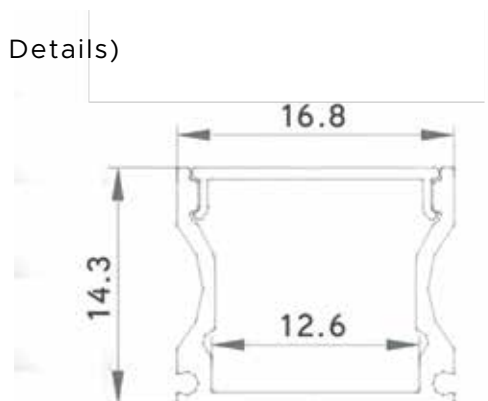
Driver Type to be mentioned with order

## Profile 17A DEEP SURFACE

Wattage	NA
CCT	NA
Body Color	Silver Grey
Input Voltage	NA
CRI	NA
THD	NA
PF	NA
Operating Temperature	NA
Material	Aluminium
Beam Angle	NA
Lumes	NA
Number of LED	NA
IP	20
Voltage	NA
Dimensions	NA



(Refer Schematic for Section Details)



### Product Part Code

HA-17ADEEP SURFACE-<BEAM>-<CCT>-<BODY COLOR>

Comes with on/off drivers(Default)

### Also Available with Following Driver

Triac Dimmable

0-10 Analog Dimmable

DALI Dimmable / DALI 2.0

Smart  

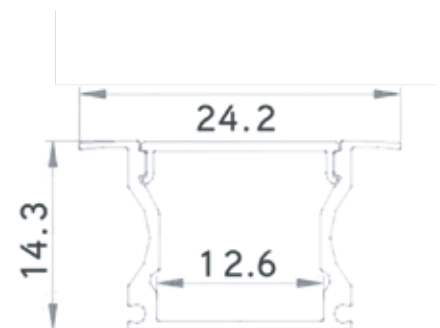


*\*For representational purposes only*

Driver Type to be mentioned with order

## Profile 8A-StURFACE

Wattage	NA
CCT	NA
Body Color	Silver Grey
Input Voltage	NA
CRI	NA
THD	NA
PF	NA
Operating Temperature	NA
Material	Aluminium
Beam Angle	NA
Lumes	NA
Number of LED	NA
IP	20
Voltage	NA
Dimensions	(Refer Schematic for Section Details)



### Product Part Code

HA-17B DEEP CONCEAL-<BEAM>-<CCT>-<BODY COLOR>

Comes with on/off drivers(Default)

### Also Available with Following Driver

Triac Dimmable

0-10 Analog Dimmable

DALI Dimmable / DALI 2.0

Smart  

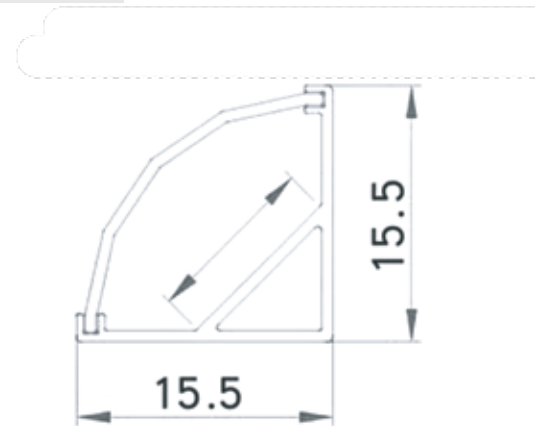


*\*For representational purposes only*

Driver Type to be mentioned with order

## Profile 18A CORNER

Wattage	NA
CCT	NA
Body Color	Silver Grey
Input Voltage	NA
CRI	NA
THD	NA
PF	NA
Operating Temperature	NA
Material	Aluminium
Beam Angle	NA
Lumes	NA
Number of LED	NA
IP	20
Voltage	NA
Dimensions	(Refer Schematic for Section Details)



### Product Part Code

HA-18A CORNER--<BEAM>--<CCT>--<BODY COLOR>

Comes with on/off drivers(Default)

### Also Available with Following Driver

Triac Dimmable

0-10 Analog Dimmable

DALI Dimmable / DALI 2.0

Smart  



*\*For representational purposes only*

Driver Type to be mentioned with order

## Profile 25A-SURFACE

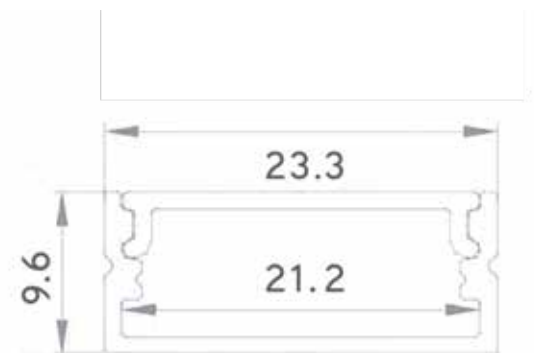
Wattage	NA
CCT	NA
Body Color	Silver Grey
Input Voltage	NA
CRI	NA
THD	NA
PF	NA
Operating Temperature	NA
Material	Aluminium
Beam Angle	NA
Lumes	NA
Number of LED	NA
IP	20
Voltage	NA
Dimensions	(Refer Schematic for Section Details)



### Product Part Code

HA-25A-SURFACE-<BEAM>-<CCT>-<BODY COLOR>

Comes with on/off drivers(Default)



### Also Available with Following Driver

Triac Dimmable

0-10 Analog Dimmable

DALI Dimmable / DALI 2.0

Smart  



*\*For representational purposes only*

Driver Type to be mentioned with order

## Profile 25B-CONCEAL

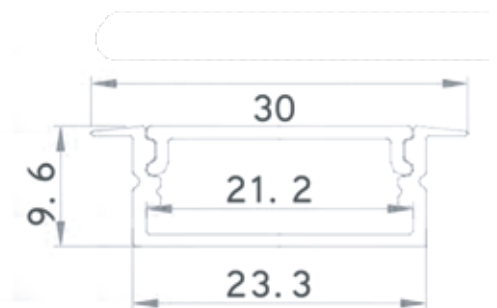
Wattage	NA
CCT	NA
Body Color	Silver Grey
Input Voltage	NA
CRI	NA
THD	NA
PF	NA
Operating Temperature	NA
Material	Aluminium
Beam Angle	NA
Lumes	NA
Number of LED	NA
IP	20
Voltage	NA
Dimensions	(Refer Schematic for Section Details)



### Product Part Code

HA-25B-CONCEAL-<BEAM>-<CCT>-<BODY COLOR>

Comes with on/off drivers(Default)



### Also Available with Following Driver

Triac Dimmable

0-10 Analog Dimmable

DALI Dimmable / DALI 2.0

Smart  



*\*For representational purposes only*

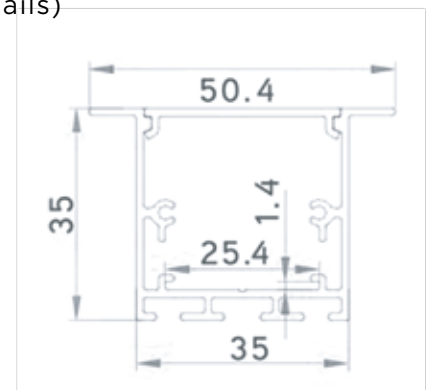
Driver Type to be mentioned with order

## Profile 3535B-CONCEAL

Wattage	NA
CCT	NA
Body Color	Silver Grey
Input Voltage	NA
CRI	NA
THD	NA
PF	NA
Operating Temperature	NA
Material	Aluminium
Beam Angle	NA
Lumes	NA
Number of LED	NA
IP	20
Voltage	NA
Dimensions	NA



(Refer Schematic for Section Details)



### Product Part Code

HA-3535B-CONCEAL-<BEAM>-<CCT>-<BODY COLOR>

Comes with on/off drivers(Default)

### Also Available with Following Driver

Triac Dimmable

0-10 Analog Dimmable

DALI Dimmable / DALI 2.0

Smart  



*\*For representational purposes only*

Driver Type to be mentioned with order

## Profile 3535A-SURFACE

Wattage	NA
CCT	NA
Body Color	Silver Grey
Input Voltage	NA
CRI	NA
THD	NA
PF	NA
Operating Temperature	NA
Material	Aluminium
Beam Angle	NA
Lumes	NA
Number of LED	NA
IP	20
Voltage	NA
Dimensions	NA

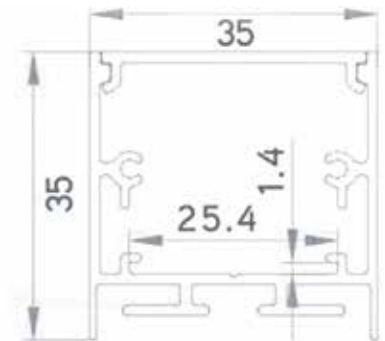


(Refer Schematic for Section Details)

### Product Part Code

HA-3535A-SURFACE-<BEAM>-<CCT>-<BODY COLOR>

Comes with on/off drivers(Default)



### Also Available with Following Driver

Triac Dimmable

0-10 Analog Dimmable

DALI Dimmable / DALI 2.0

Smart  

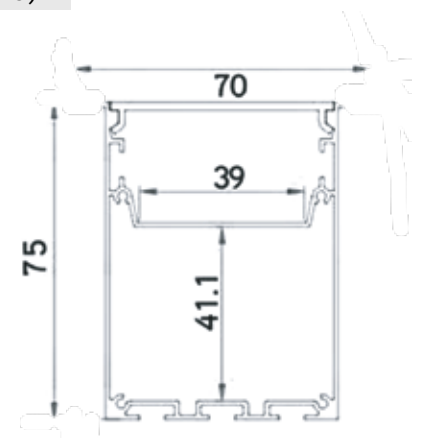


*\*For representational purposes only*

Driver Type to be mentioned with order

## Profile 5575-SURFACE

Wattage	NA
CCT	NA
Body Color	Silver Grey
Input Voltage	NA
CRI	NA
THD	NA
PF	NA
Operating Temperature	NA
Material	Aluminium
Beam Angle	NA
Lumes	NA
Number of LED	NA
IP	20
Voltage	NA
Dimensions	(Refer Schematic for Section Details)



### Product Part Code

HA-5575-SURFACE-<BEAM>-<CCT>-<BODY COLOR>

Comes with on/off drivers(Default)

### Also Available with Following Driver

Triac Dimmable

0-10 Analog Dimmable

DALI Dimmable / DALI 2.0

Smart  

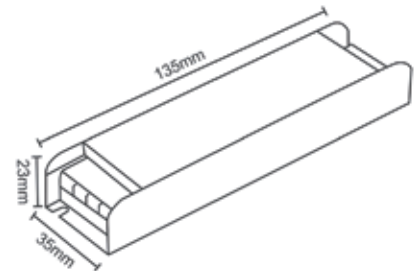


*\*For representational purposes only*

Driver Type to be mentioned with order

## Non Dimmable SMPS 3A

Wattage	36W
CCT	NA
Body Color	Silver Grey
Input Voltage	NA
CRI	NA
THD	NA
PF	NA
Operating Temperature	NA
Material	Aluminium
Beam Angle	NA
Lumes	NA
Number of LED	NA
IP	20
Voltage	12v
Dimensions	23mm(Height) 35mm(Width) 135mm(Length)



### Product Part Code

HA-SMPS-3A-<BEAM>-<CCT>-<BODY COLOR>

Comes with on/off drivers(Default)

### Also Available with Following Driver

Triac Dimmable

0-10 Analog Dimmable

DALI Dimmable / DALI 2.0

Smart  

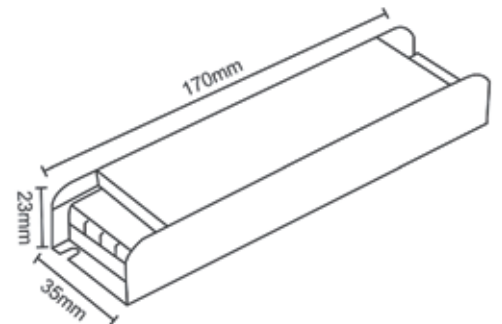


*\*For representational purposes only*

Driver Type to be mentioned with order

## Non Dimmable SMPS 5A

Wattage	60W
CCT	NA
Body Color	Silver Grey
Input Voltage	NA
CRI	NA
THD	NA
PF	NA
Operating Temperature	NA
Material	Aluminium
Beam Angle	NA
Lumes	NA
Number of LED	NA
IP	20
Voltage	12v
Dimensions	23mm(Height) 35mm(Width) 170mm(Length)



### Product Part Code

HA-SMPS-5A-<BEAM>-<CCT>-<BODY COLOR>

Comes with on/off drivers(Default)

### Also Available with Following Driver

Triac Dimmable

0-10 Analog Dimmable

DALI Dimmable / DALI 2.0

Smart  

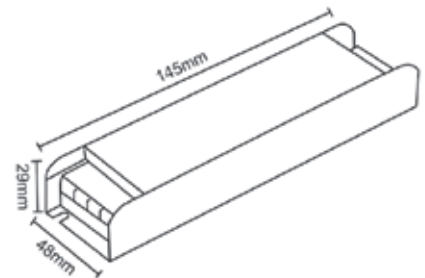


*\*For representational purposes only*

Driver Type to be mentioned with order

## Non Dimmable SMPS 8.5A

Wattage	NA
CCT	NA
Body Color	Silver Grey
Input Voltage	NA
CRI	NA
THD	NA
PF	NA
Operating Temperature	NA
Material	Aluminium
Beam Angle	NA
Lumes	NA
Number of LED	NA
IP	20
Voltage	NA
Dimensions	29mm(Height) 48mm(Width) 145mm(Length)



### Product Part Code

HA-17ADEEP SURFACE-<BEAM>-<CCT>-<BODY COLOR>

Comes with on/off drivers(Default)

### Also Available with Following Driver

Triac Dimmable

0-10 Analog Dimmable

DALI Dimmable / DALI 2.0

Smart  

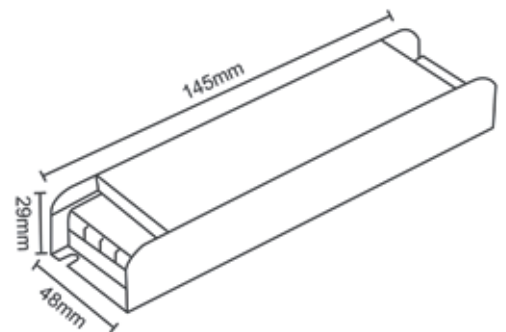


*\*For representational purposes only*

Driver Type to be mentioned with order

## Non Dimmable SMPS 10A

Wattage	120W
CCT	NA
Body Color	Silver Grey
Input Voltage	NA
CRI	NA
THD	NA
PF	NA
Operating Temperature	NA
Material	Aluminium
Beam Angle	NA
Lumes	NA
Number of LED	NA
IP	20
Voltage	12v
Dimensions	29mm(Height) 48mm(Width) 145mm(Length)



### Product Part Code

HA-SMPS-10A-<BEAM>-<CCT>-<BODY COLOR>

Comes with on/off drivers(Default)

### Also Available with Following Driver

Triac Dimmable

0-10 Analog Dimmable

DALI Dimmable / DALI 2.0

Smart  

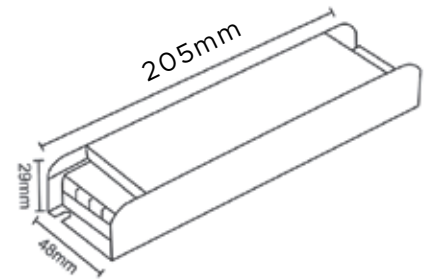


*\*For representational purposes only*

Driver Type to be mentioned with order

## Non Dimmable SMPS 12.5A

Wattage	150W
CCT	NA
Body Color	Silver Grey
Input Voltage	NA
CRI	NA
THD	NA
PF	NA
Operating Temperature	NA
Material	Aluminium
Beam Angle	NA
Lumes	NA
Number of LED	NA
IP	20
Voltage	12v
Dimensions	29mm(Height) 48mm(Width) 205mm(Length)



### Product Part Code

HA-SMPS-12.5A-<BEAM>-<CCT>-<BODY COLOR>  
Comes with on/off drivers(Default)

### Also Available with Following Driver

Triac Dimmable

0-10 Analog Dimmable

DALI Dimmable / DALI 2.0

Smart  

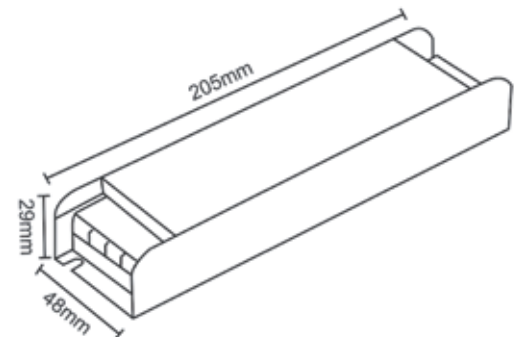


*\*For representational purposes only*

Driver Type to be mentioned with order

## Non Dimmable SMPS 16.5A

Wattage	200W
CCT	NA
Body Color	Silver Grey
Input Voltage	NA
CRI	NA
THD	NA
PF	NA
Operating Temperature	NA
Material	Aluminium
Beam Angle	NA
Lumes	NA
Number of LED	NA
IP	20
Voltage	12v
Dimensions	29mm(Height) 48mm(Width) 205mm(Length)



### Product Part Code

HA-SMPS-16.5A-<BEAM>-<CCT>-<BODY COLOR>  
Comes with on/off drivers(Default)

### Also Available with Following Driver

Triac Dimmable

0-10 Analog Dimmable

DALI Dimmable / DALI 2.0

Smart  

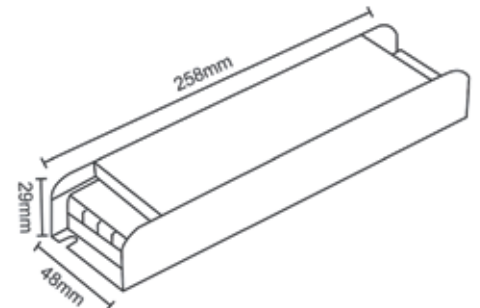


*\*For representational purposes only*

Driver Type to be mentioned with order

## Non Dimmable SMPS 21A

Wattage	250W
CCT	NA
Body Color	Silver Grey
Input Voltage	NA
CRI	NA
THD	NA
PF	NA
Operating Temperature	NA
Material	Aluminium
Beam Angle	NA
Lumes	NA
Number of LED	NA
IP	20
Voltage	12v
Dimensions	29mm(Height) 48mm(Width) 258mm(Length)



### Product Part Code

HA-SMPS-21A-<BEAM>-<CCT>-<BODY COLOR>  
Comes with on/off drivers(Default)

### Also Available with Following Driver

Triac Dimmable

0-10 Analog Dimmable

DALI Dimmable / DALI 2.0

Smart  

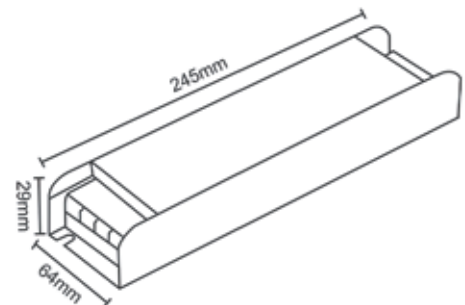


*\*For representational purposes only*

Driver Type to be mentioned with order

## Non Dimmable SMPS 25A

Wattage	300W
CCT	NA
Body Color	Silver Grey
Input Voltage	NA
CRI	NA
THD	NA
PF	NA
Operating Temperature	NA
Material	Aluminium
Beam Angle	NA
Lumes	NA
Number of LED	NA
IP	20
Voltage	12v
Dimensions	29mm(Height) 64mm(Width) 245mm(Length)



### Product Part Code

HA-SMPS-25A-<BEAM>-<CCT>-<BODY COLOR>

Comes with on/off drivers(Default)

### Also Available with Following Driver

Triac Dimmable

0-10 Analog Dimmable

DALI Dimmable / DALI 2.0

Smart  

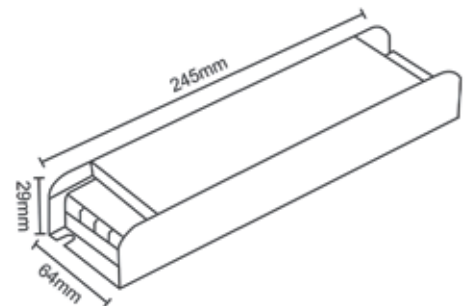


*\*For representational purposes only*

Driver Type to be mentioned with order

## Non Dimmable SMPS 29A

Wattage	350W
CCT	NA
Body Color	Silver Grey
Input Voltage	NA
CRI	NA
THD	NA
PF	NA
Operating Temperature	NA
Material	Aluminium
Beam Angle	NA
Lumes	NA
Number of LED	NA
IP	20
Voltage	12v
Dimensions	29mm(Height) 64mm(Width) 245mm(Length)



### Product Part Code

HA-SMPS-29A-<BEAM>-<CCT>-<BODY COLOR>

Comes with on/off drivers(Default)

### Also Available with Following Driver

Triac Dimmable

0-10 Analog Dimmable

DALI Dimmable / DALI 2.0

Smart  

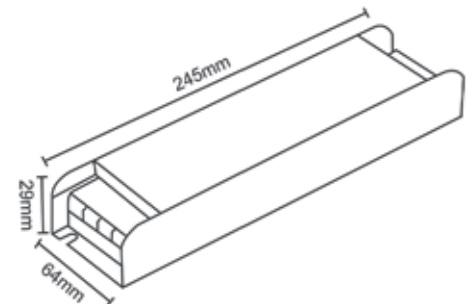


*\*For representational purposes only*

Driver Type to be mentioned with order

## Non Dimmable SMPS 33A

Wattage	450W
CCT	NA
Body Color	Silver Grey
Input Voltage	NA
CRI	NA
THD	NA
PF	NA
Operating Temperature	NA
Material	Aluminium
Beam Angle	NA
Lumes	NA
Number of LED	NA
IP	20
Voltage	12v
Dimensions	29mm(Height) 64mm(Width) 245mm(Length)



### Product Part Code

HA-SMPS-33A-<BEAM>-<CCT>-<BODY COLOR>

Comes with on/off drivers(Default)

### Also Available with Following Driver

Triac Dimmable

0-10 Analog Dimmable

DALI Dimmable / DALI 2.0

Smart  

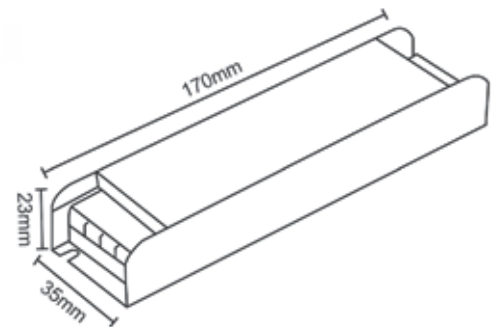


*\*For representational purposes only*

Driver Type to be mentioned with order

## Non Dimmable SMPS 2.5A-24V

Wattage	60W
CCT	NA
Body Color	Silver Grey
Input Voltage	NA
CRI	NA
THD	NA
PF	NA
Operating Temperature	NA
Material	Aluminium
Beam Angle	NA
Lumes	NA
Number of LED	NA
IP	20
Voltage	12v
Dimensions	23mm(Height) 35mm(Width) 170mm(Length)



### Product Part Code

HA-SMPS-4.5A-24V-<BEAM>-<CCT>-<BODY COLOR>  
Comes with on/off drivers(Default)

### Also Available with Following Driver

Triac Dimmable

0-10 Analog Dimmable

DALI Dimmable / DALI 2.0

Smart  

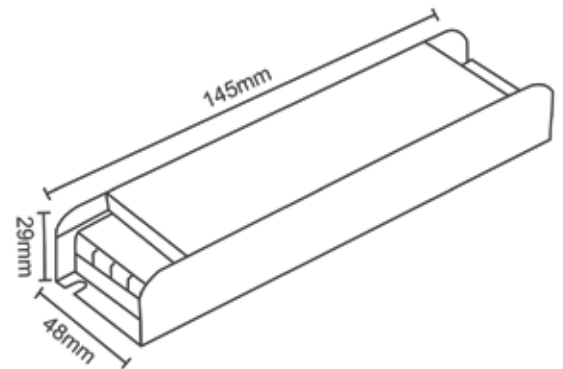


*\*For representational purposes only*

Driver Type to be mentioned with order

## Non Dimmable SMPS 4.5A-24V

Wattage	60W
CCT	NA
Body Color	Silver Grey
Input Voltage	NA
CRI	NA
THD	NA
PF	NA
Operating Temperature	NA
Material	Aluminium
Beam Angle	NA
Lumes	NA
Number of LED	NA
IP	20
Voltage	24v
Dimensions	29mm(Height) 48mm(Width) 145mm(Length)



### Product Part Code

HA-SMPS-5A-<BEAM>-<CCT>-<BODY COLOR>  
Comes with on/off drivers(Default)

### Also Available with Following Driver

Triac Dimmable

0-10 Analog Dimmable

DALI Dimmable / DALI 2.0

Smart  

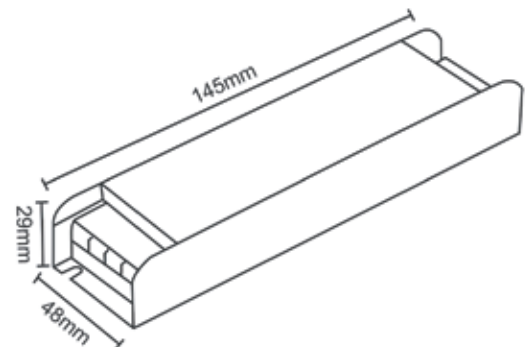


*\*For representational purposes only*

Driver Type to be mentioned with order

## Non Dimmable SMPS 5A-24V

Wattage	120W
CCT	NA
Body Color	Silver Grey
Input Voltage	NA
CRI	NA
THD	NA
PF	NA
Operating Temperature	NA
Material	Aluminium
Beam Angle	NA
Lumes	NA
Number of LED	NA
IP	20
Voltage	24v
Dimensions	29mm(Height) 48mm(Width) 145mm(Length)



### Product Part Code

HA-SMPS-5A-24V-<BEAM>-<CCT>-<BODY COLOR>  
Comes with on/off drivers(Default)

### Also Available with Following Driver

Triac Dimmable

0-10 Analog Dimmable

DALI Dimmable / DALI 2.0

Smart  

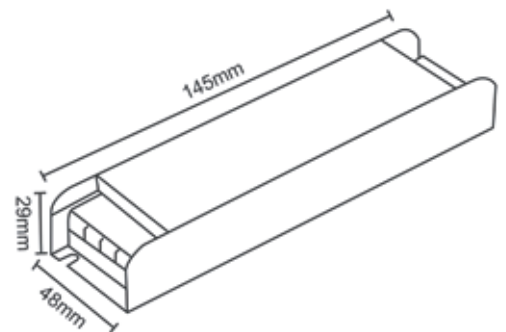


*\*For representational purposes only*

Driver Type to be mentioned with order

## Non Dimmable SMPS 6.5A-24V

Wattage	150W
CCT	NA
Body Color	Silver Grey
Input Voltage	NA
CRI	NA
THD	NA
PF	NA
Operating Temperature	NA
Material	Aluminium
Beam Angle	NA
Lumes	NA
Number of LED	NA
IP	20
Voltage	24v
Dimensions	29mm(Height) 48mm(Width) 145mm(Length)



### Product Part Code

HA-SMPS-6.5A-24V-<BEAM>-<CCT>-<BODY COLOR>

Comes with on/off drivers(Default)

### Also Available with Following Driver

Triac Dimmable

0-10 Analog Dimmable

DALI Dimmable / DALI 2.0

Smart  

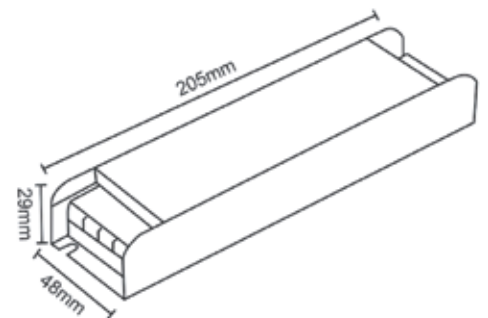


*\*For representational purposes only*

Driver Type to be mentioned with order

## Non Dimmable SMPS 8.3A-24V

Wattage	200W
CCT	NA
Body Color	Silver Grey
Input Voltage	NA
CRI	NA
THD	NA
PF	NA
Operating Temperature	NA
Material	Aluminium
Beam Angle	NA
Lumes	NA
Number of LED	NA
IP	20
Voltage	24v
Dimensions	29mm(Height) 48mm(Width) 205mm(Length)



### Product Part Code

HA-SMPS-8.3A-24V-<BEAM>-<CCT>-<BODY COLOR>

Comes with on/off drivers(Default)

### Also Available with Following Driver

Triac Dimmable

0-10 Analog Dimmable

DALI Dimmable / DALI 2.0

Smart  

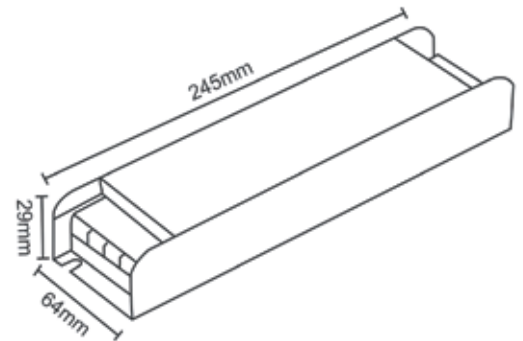


*\*For representational purposes only*

Driver Type to be mentioned with order

## Non Dimmable SMPS 12.5V-24v

Wattage	300W
CCT	NA
Body Color	Silver Grey
Input Voltage	NA
CRI	NA
THD	NA
PF	NA
Operating Temperature	NA
Material	Aluminium
Beam Angle	NA
Lumes	NA
Number of LED	NA
IP	20
Voltage	12v
Dimensions	29mm(Height) 64mm(Width) 245mm(Length)



### Product Part Code

HA-SMPS-12.5V-24v-<BEAM>-<CCT>-<BODY COLOR>

Comes with on/off drivers(Default)

### Also Available with Following Driver

Triac Dimmable

0-10 Analog Dimmable

DALI Dimmable / DALI 2.0

Smart  

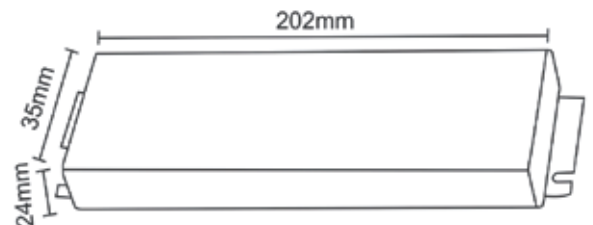


*\*For representational purposes only*

Driver Type to be mentioned with order

## IP67 Non Dimmable SMPS 12V 5A

Wattage	60W
CCT	NA
Body Color	Silver Grey
Input Voltage	NA
CRI	NA
THD	NA
PF	NA
Operating Temperature	NA
Material	Aluminium
Beam Angle	NA
Lumes	NA
Number of LED	NA
IP	67
Voltage	12v
Dimensions	24mm(Height) 35mm(Width) 202mm(Length)



### Product Part Code

HA-SMPS-5A-IP67-<BEAM>-<CCT>-<BODY COLOR>

Comes with on/off drivers(Default)

### Also Available with Following Driver

Triac Dimmable

0-10 Analog Dimmable

DALI Dimmable / DALI 2.0

Smart  

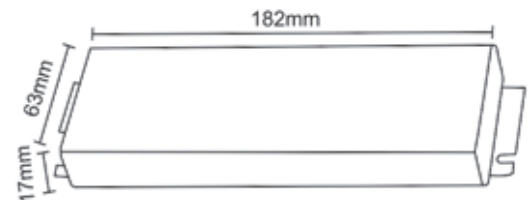


*\*For representational purposes only*

Driver Type to be mentioned with order

## Non Dimmable SMPS 25A

Wattage	300W
CCT	NA
Body Color	Silver Grey
Input Voltage	NA
CRI	NA
THD	NA
PF	NA
Operating Temperature	NA
Material	Aluminium
Beam Angle	NA
Lumes	NA
Number of LED	NA
IP	67
Voltage	12v
Dimensions	63mm(Height) 17mm(Width) 182mm(Length)



### Product Part Code

HA-SMPS-25A-<BEAM>-<CCT>-<BODY COLOR>

Comes with on/off drivers(Default)

### Also Available with Following Driver

Triac Dimmable

0-10 Analog Dimmable

DALI Dimmable / DALI 2.0

Smart  

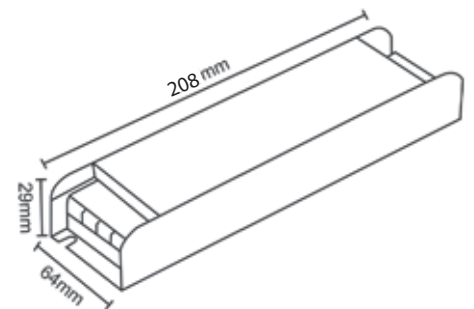


*\*For representational purposes only*

Driver Type to be mentioned with order

## IP67 Non Dimmable SMPS 12V 12.5A

Wattage	150W
CCT	NA
Body Color	Silver Grey
Input Voltage	NA
CRI	NA
THD	NA
PF	NA
Operating Temperature	NA
Material	Aluminium
Beam Angle	NA
Lumes	NA
Number of LED	NA
IP	20
Voltage	12v
Dimensions	29mm(Height) 64mm(Width) 208mm(Length)



### Product Part Code

HA-SMPS-12.5A-IP67-<BEAM>-<CCT>-<BODY COLOR>

Comes with on/off drivers(Default)

### Also Available with Following Driver

Triac Dimmable

0-10 Analog Dimmable

DALI Dimmable / DALI 2.0

Smart  



*\*For representational purposes only*

Driver Type to be mentioned with order

## IP67 Non Dimmable SMPS 12V 16.5A

Wattage	200W
CCT	NA
Body Color	Silver Grey
Input Voltage	NA
CRI	NA
THD	NA
PF	NA
Operating Temperature	NA
Material	Aluminium
Beam Angle	NA
Lumes	NA
Number of LED	NA
IP	67
Voltage	12v
Dimensions	32mm(Height) 58mm(Width) 238mm(Length)



### Product Part Code

HA-SMPS-16.5A-IP67-<BEAM>-<CCT>-<BODY COLOR>

Comes with on/off drivers(Default)

### Also Available with Following Driver

Triac Dimmable

0-10 Analog Dimmable

DALI Dimmable / DALI 2.0

Smart  

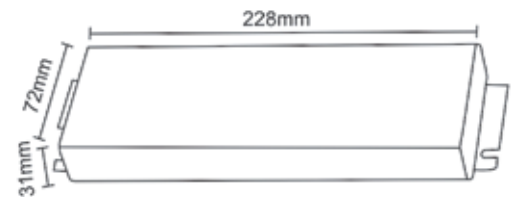


*\*For representational purposes only*

Driver Type to be mentioned with order

## IP67 Non Dimmable SMPS 12V 21A

Wattage	250W
CCT	NA
Body Color	Silver Grey
Input Voltage	NA
CRI	NA
THD	NA
PF	NA
Operating Temperature	NA
Material	Aluminium
Beam Angle	NA
Lumes	NA
Number of LED	NA
IP	67
Voltage	12v
Dimensions	72mm(Height) 31mm(Width) 228mm(Length)



### Product Part Code

HA-SMPS-21A-IP67-<BEAM>-<CCT>-<BODY COLOR>

Comes with on/off drivers(Default)

### Also Available with Following Driver

Triac Dimmable

0-10 Analog Dimmable

DALI Dimmable / DALI 2.0

Smart  

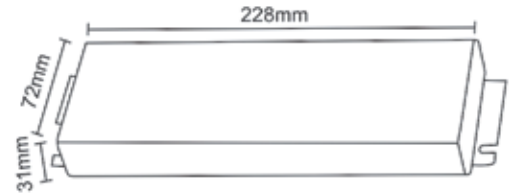


*\*For representational purposes only*

Driver Type to be mentioned with order

### IP67 Non Dimmable SMPS 12V 29A

Wattage	350W
CCT	NA
Body Color	Silver Grey
Input Voltage	NA
CRI	NA
THD	NA
PF	NA
Operating Temperature	NA
Material	Aluminium
Beam Angle	NA
Lumes	NA
Number of LED	NA
IP	67
Voltage	12v
Dimensions	72mm(Height) 31mm(Width) 228mm(Length)



#### Product Part Code

HA-SMPS-29A-IP67-<BEAM>-<CCT>-<BODY COLOR>

Comes with on/off drivers(Default)

#### Also Available with Following Driver

Triac Dimmable

0-10 Analog Dimmable

DALI Dimmable / DALI 2.0

Smart  

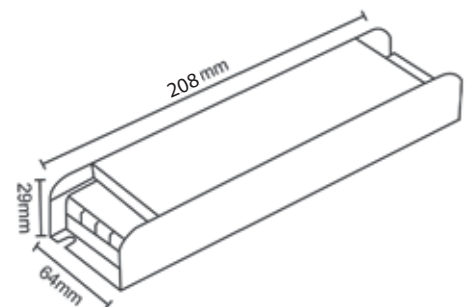


*\*For representational purposes only*

Driver Type to be mentioned with order

## Non Dimmable SMPS 2.5V-24V

Wattage	60W
CCT	NA
Body Color	Silver Grey
Input Voltage	NA
CRI	NA
THD	NA
PF	NA
Operating Temperature	NA
Material	Aluminium
Beam Angle	NA
Lumes	NA
Number of LED	NA
IP	67
Voltage	24v
Dimensions	29mm(Height) 64mm(Width) 208mm(Length)



### Product Part Code

HA-SMPS-2.5A-24V-<BEAM>-<CCT>-<BODY COLOR>

Comes with on/off drivers(Default)

### Also Available with Following Driver

Triac Dimmable

0-10 Analog Dimmable

DALI Dimmable / DALI 2.0

Smart  



*\*For representational purposes only*

Driver Type to be mentioned with order

## IP67 Non Dimmable SMPS 24V 4.5A

Wattage	10W
CCT	NA
Body Color	Silver Grey
Input Voltage	NA
CRI	NA
THD	NA
PF	NA
Operating Temperature	NA
Material	Aluminium
Beam Angle	NA
Lumes	NA
Number of LED	NA
IP	20
Voltage	24v
Dimensions	17mm(Height) 63mm(Width) 182mm(Length)



### Product Part Code

HA-SMPS-4.5A-24V-IP67-<BEAM>-<CCT>-<BODY COLOR>

Comes with on/off drivers(Default)

### Also Available with Following Driver

Triac Dimmable

0-10 Analog Dimmable

DALI Dimmable / DALI 2.0

Smart  



*\*For representational purposes only*

Driver Type to be mentioned with order

## IP67 Non Dimmable SMPS 24V 6.25A

Wattage	150W
CCT	NA
Body Color	Silver Grey
Input Voltage	NA
CRI	NA
THD	NA
PF	NA
Operating Temperature	NA
Material	Aluminium
Beam Angle	NA
Lumes	NA
Number of LED	NA
IP	67
Voltage	24v
Dimensions	32mm(Height) 58mm(Width) 208mm(Length)



### Product Part Code

HA-SMPS-6.24A-24V-<BEAM>-<CCT>-<BODY COLOR>

Comes with on/off drivers(Default)

### Also Available with Following Driver

Triac Dimmable

0-10 Analog Dimmable

DALI Dimmable / DALI 2.0

Smart  



*\*For representational purposes only*

Driver Type to be mentioned with order

## IP67 Non Dimmable SMPS 24V 8.3A

Wattage	200W
CCT	NA
Body Color	Silver Grey
Input Voltage	NA
CRI	NA
THD	NA
PF	NA
Operating Temperature	NA
Material	Aluminium
Beam Angle	NA
Lumes	NA
Number of LED	NA
IP	67
Voltage	24v
Dimensions	32mm(Height) 58mm(Width) 238mm(Length)



### Product Part Code

HA-SMPS-8.3A-24V-IP67-<BEAM>-<CCT>-<BODY COLOR>

Comes with on/off drivers(Default)

### Also Available with Following Driver

Triac Dimmable

0-10 Analog Dimmable

DALI Dimmable / DALI 2.0

Smart  

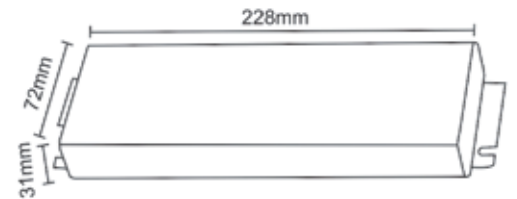


*\*For representational purposes only*

Driver Type to be mentioned with order

## IP67 Non Dimmable SMPS 24V 10.5A

Wattage	200W
CCT	NA
Body Color	Silver Grey
Input Voltage	NA
CRI	NA
THD	NA
PF	NA
Operating Temperature	NA
Material	Aluminium
Beam Angle	NA
Lumes	NA
Number of LED	NA
IP	67
Voltage	24v
Dimensions	31mm(Height) 72mm(Width) 228mm(Length)



### Product Part Code

HA-SMPS-10.5A-24V-IP67-<BEAM>-<CCT>-<BODY COLOR>

Comes with on/off drivers(Default)

### Also Available with Following Driver

Triac Dimmable

0-10 Analog Dimmable

DALI Dimmable / DALI 2.0

Smart  



*\*For representational purposes only*

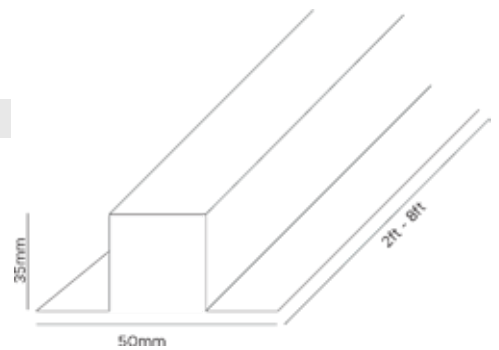
Driver Type to be mentioned with order

# LINEAR LIGHTS SERIES



## Linear Lights 3535 Concealed

Wattage	9W per foot
CCT	3000K / 4000K / 6000K
Body Color	White / Black / Silver - Grey
Input Voltage	185-265V
Diffuser	PMMA
CRI	>85
THD	<15
PF	>0.9
Operating Temperature	-10°C to +60°C
Material	Aluminium
Beam Angle	120°
Dimensions	35mm(H) x 50mm(W) x 609.6mm - 3048mm(L) (L- 2ft to 10ft Customised)
LED	Bridgelux



### Product Part Code

HA-LINEAR-3535-CON-<LENGTH>-<CCT>-<BODY COLOR>

Comes with on/off drivers (Default)

### Also Available with Following Driver

Triac Dimmable

0-10 Analog Dimmable

DALI Dimmable / DALI 2.0

Smart  

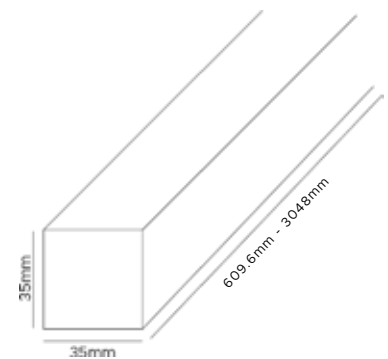


*\*For representational purposes only*

Driver Type to be mentioned with order

## Linear Lights 3535 Surface

Wattage	9W per foot
CCT	3000K / 4000K / 6000K
Body Color	White / Black / Silver - Grey
Input Voltage	185-265V
Diffuser	PMMA
CRI	>85
THD	<15
PF	>0.9
Operating Temperature	-10°C to +60°C
Material	Aluminium
Beam Angle	120°
Dimensions	35mm(H) x 35mm(W) x 609.6mm - 3048mm(L) (L- 2ft to 10ft Customised)
LED	Bridgelux



### Product Part Code

HA-LINEAR-3535-SUR-<LENGTH>-<CCT>-<BODY COLOR>

Comes with on/off drivers (Default)

### Also Available with Following Driver

Triac Dimmable

0-10 Analog Dimmable

DALI Dimmable / DALI 2.0

Smart  

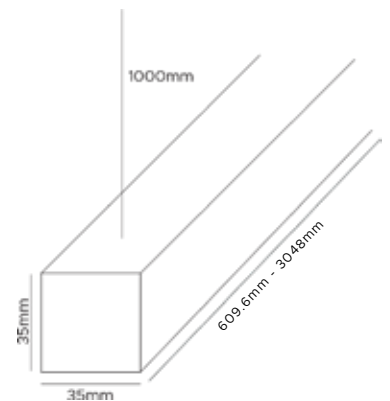


*\*For representational purposes only*

Driver Type to be mentioned with order

## Linear Lights 3535 Suspended

Wattage	9W per foot
CCT	3000K / 4000K / 6000K
Body Color	White / Black / Silver - Grey
Input Voltage	185-265V
Diffuser	PMMA
CRI	>85
THD	<15
PF	>0.9
Operating Temperature	-10°C to +60°C
Material	Aluminium
Beam Angle	120°
Dimensions	35mm(H) x 35mm(W) x 609.6mm - 3048mm(L) (Suspended String 1000mm ) (L- 2ft to 10ft Customised)
LED	Bridgelux SMD



### Product Part Code

HA-LINEAR-3535-SUS-<LENGTH>-<CCT>-<BODY COLOR>

Comes with on/off drivers (Default)

### Also Available with Following Driver

Triac Dimmable

0-10 Analog Dimmable

DALI Dimmable / DALI 2.0

Smart  



*\*For representational purposes only*

Driver Type to be mentioned with order

## Linear Lights 5035 Concealed

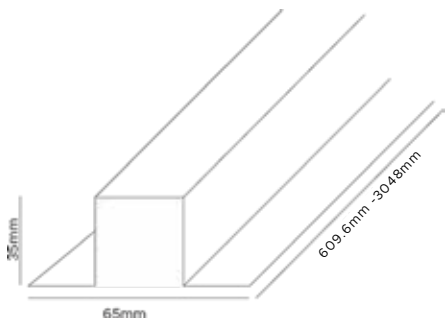
Wattage	9W per foot
CCT	3000K / 4000K / 6000K
Body Color	White / Black / Silver - Grey
Input Voltage	185-265V
Diffuser	PMMA
CRI	>85
THD	<15
PF	>0.9
Operating Temperature	-10°C to +60°C
Material	Aluminium
Beam Angle	120°
Dimensions	35mm(H) x 65mm(W) x 609.6mm - 3048mm(L) (L- 2ft to 10ft Customised)
LED	Bridgelux SMD



### Product Part Code

HA-LINEAR-5035-CON-<LENGTH>-<CCT>-<BODY COLOR>

Comes with on/off drivers (Default)



### Also Available with Following Driver

Triac Dimmable

0-10 Analog Dimmable

DALI Dimmable / DALI 2.0

Smart  

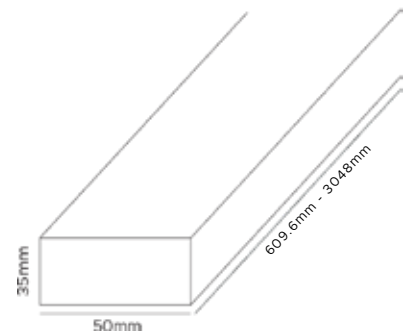


*\*For representational purposes only*

Driver Type to be mentioned with order

## Linear Lights 5035 Surface

Wattage	9W per foot
CCT	3000K / 4000K / 6000K
Body Color	White / Black / Silver - Grey
Input Voltage	185-265V
Diffuser	PMMA
CRI	>85
THD	<15
PF	>0.9
Operating Temperature	-10°C to +60°C
Material	Aluminium
Beam Angle	120°
Dimensions	35mm(H) x 50mm(W) x 609.6mm - 3048mm (L- 2ft to 10ft Customised)
LED	Bridgelux SMD



### Product Part Code

HA-LINEAR-5035-SUR-<LENGTH>-<CCT>-<BODY COLOR>

Comes with on/off drivers (Default)

### Also Available with Following Driver

Triac Dimmable

0-10 Analog Dimmable

DALI Dimmable / DALI 2.0

Smart  

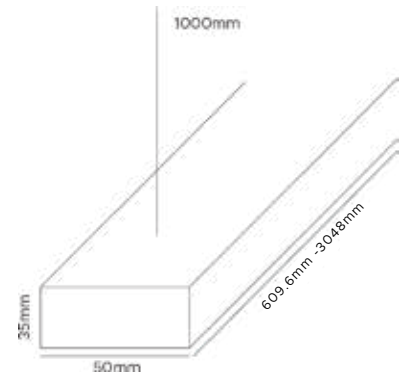


Driver Type to be mentioned with order

*\*For representational purposes only*

## Linear Lights 5035 Suspended

Wattage	9W per foot
CCT	3000K / 4000K / 6000K
Body Color	White / Black / Silver - Grey
Input Voltage	185-265V
Diffuser	PMMA
CRI	>85
THD	<15
PF	>0.9
Operating Temperature	-10°C to +60°C
Material	Aluminium
Beam Angle	120°
Dimensions	35mm(H) x 50mm(W) x 609.6mm - 3048mm(L) (Suspended String 1000mm) (L- 2ft to 10ft Customised)
LED	Bridgelux SMD



### Product Part Code

HA-LINEAR-5035-SUS-<LENGTH>-<CCT>-<BODY COLOR>

Comes with on/off drivers (Default)

### Also Available with Following Driver

Triac Dimmable

0-10 Analog Dimmable

DALI Dimmable / DALI 2.0

Smart  

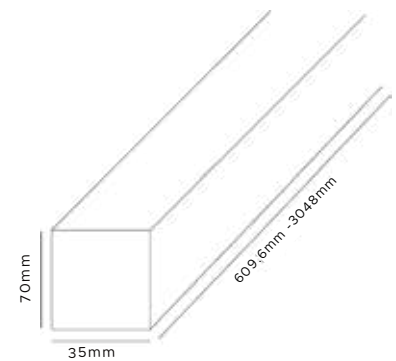


*\*For representational purposes only*

Driver Type to be mentioned with order

## Linear Lights 3570- Surface

Wattage	9W per foot
CCT	3000K / 4000K / 6000K
Body Color	White / Black / Silver - Grey
Input Voltage	185-265V
Diffuser	PMMA
CRI	>85
THD	<15
PF	>0.9
Operating Temperature	-10°C to +60°C
Material	Aluminium
Beam Angle	120°
Dimensions	70mm(H) x 35mm(W) x 609.6mm - 3048mm(L) (L- 2ft to 10ft Customised)
LED	Bridgelux SMD



### Product Part Code

HA-LINEAR-3570-SUR-<LENGTH>-<CCT>-<BODY COLOR>

Comes with on/off drivers (Default)

### Also Available with Following Driver

Triac Dimmable

0-10 Analog Dimmable

DALI Dimmable / DALI 2.0

Smart  

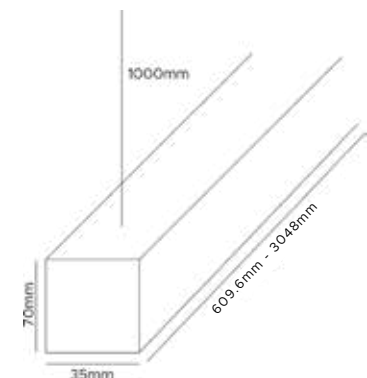


*\*For representational purposes only*

Driver Type to be mentioned with order

## Linear Lights 3570 Suspended

Wattage	9W per foot
CCT	3000K / 4000K / 6000K
Body Color	White / Black / Silver - Grey
Input Voltage	185-265V
Diffuser	PMMA
CRI	>85
THD	<15
PF	>0.9
Operating Temperature	-10°C to +60°C
Material	Aluminium
Beam Angle	120°
Dimensions	70mm(H) x 35mm(W) x 609.6mm - 3048mm(L) (Suspended String 1000mm) (L- 2ft to 10ft Customised)
LED	Bridgelux SMD



### Product Part Code

HA-LINEAR- 3570-SUS-<LENGTH>-<CCT>-<BODY COLOR>

Comes with on/off drivers (Default)

### Also Available with Following Driver

Triac Dimmable

0-10 Analog Dimmable

DALI Dimmable / DALI 2.0

Smart  



*\*For representational purposes only*

Driver Type to be mentioned with order

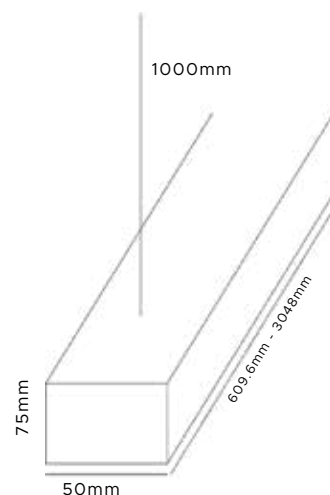
## Linear Lights 5575 Suspended

Wattage	9W per foot
CCT	3000K / 4000K / 6000K
Body Color	White / Black / Silver - Grey
Input Voltage	185-265V
Diffuser	PMMA
CRI	>85
THD	<15
PF	>0.9
Operating Temperature	-10°C to +60°C
Material	Aluminium
Beam Angle	120°
Dimensions	75mm(H) x 50mm(W) x 609.6mm - 2438.4mm(L) (Suspended String 1000mm ) (L- 2ft to 10ft Customised)
LED	Bridgelux SMD

### Product Part Code

HA-LINEAR-5575-SUS-<LENGTH>-<CCT>-<BODY COLOR>

Comes with on/off drivers (Default)



### Also Available with Following Driver

Triac Dimmable

0-10 Analog Dimmable

DALI Dimmable / DALI 2.0

Smart  

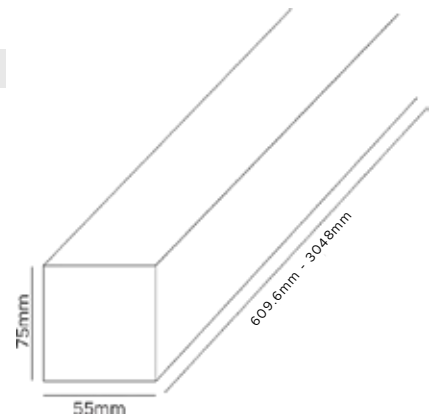


*\*For representational purposes only*

Driver Type to be mentioned with order

## Linear Lights 5575 Surface

Wattage	9W per foot
CCT	3000K / 4000K / 6000K
Body Color	White / Black / Silver - Grey
Input Voltage	185-265V
Diffuser	PMMA
CRI	>85
THD	<15
PF	>0.9
Operating Temperature	-10°C to +60°C
Material	Aluminium
Beam Angle	120°
Dimensions	75mm(H) x 55mm(W) x 609.6mm - 3048mm(L) (L- 2ft to 10ft Customised)
LED	Bridgelux SMD



### Product Part Code

HA-LINEAR-5575-SUR-<LENGTH>-<CCT>-<BODY COLOR>

Comes with on/off drivers (Default)

### Also Available with Following Driver

Triac Dimmable

0-10 Analog Dimmable

DALI Dimmable / DALI 2.0

Smart  



*\*For representational purposes only*

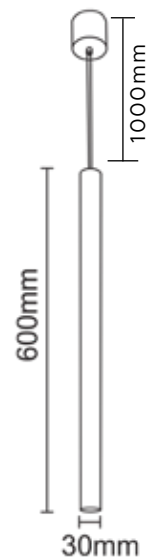
Driver Type to be mentioned with order

# HANGING LIGHTS SERIES



## Hanging lights

Wattage	7W
CCT	3000K / 4000K / 6000K
Body Color	White / Black
Input Voltage	185-265V
Inner Color	White / Black
CRI	>85
THD	<15
PF	>0.9
Operating Temperature	-10°C to +60°C
Material	Aluminium
Beam Angle	38°
Dimensions	600mm(Height) 30mm(Width) 1000mm(Length)
LED	Bridgelux



### Product Part Code

HA-07-LGHL-<BEAM>-<CCT>-<BODY COLOR>

Comes with on/off drivers(Default)

### Also Available with Following Driver

Triac Dimmable

0-10 Analog Dimmable

DALI Dimmable / DALI 2.0

Smart  

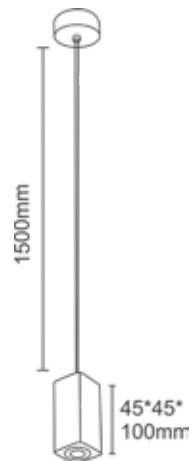
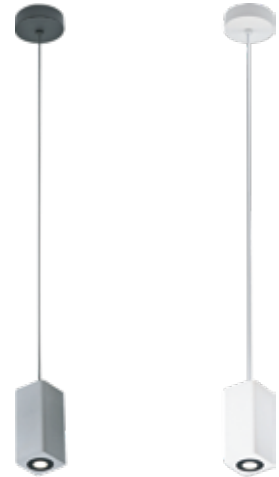


*\*For representational purposes only*

Driver Type to be mentioned with order

## Hanging lights

Wattage	7W
CCT	3000K / 4000K / 6000K
Body Color	White / Grey
Input Voltage	185-265V
Inner Color	White / Grey + Black
CRI	>85
THD	<15
PF	>0.9
Operating Temperature	-10°C to +60°C
Material	Cement
Beam Angle	38°
Dimensions	100mm(Height) 45x45mm(Width) 1500mm(Length)
LED	Bridgelux



### Product Part Code

HA-7W-210318-<BEAM>-<CCT>-<BODY COLOR>

Comes with on/off drivers(Default)

### Also Available with Following Driver

Triac Dimmable

0-10 Analog Dimmable

DALI Dimmable / DALI 2.0

Smart  

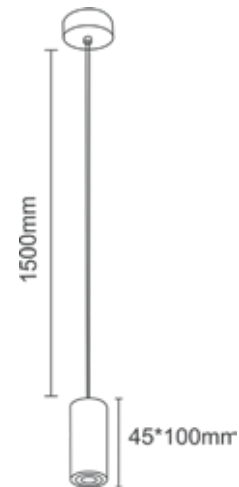


*\*For representational purposes only*

Driver Type to be mentioned with order

## Hanging lights

Wattage	7W
CCT	3000K / 4000K / 6000K
Body Color	White / Grey
Input Voltage	185-265V
Inner Color	White / Grey + Black
CRI	>85
THD	<15
PF	>0.9
Operating Temperature	-10°C to +60°C
Material	Cement
Beam Angle	38°
Dimensions	100mm(Height) 45mm(Width) 1500mm(Length)
LED	Bridgelux



### Product Part Code

HA-7W-210319-<BEAM>-<CCT>-<BODY COLOR>

Comes with on/off drivers(Default)

### Also Available with Following Driver

Triac Dimmable

0-10 Analog Dimmable

DALI Dimmable / DALI 2.0

Smart  

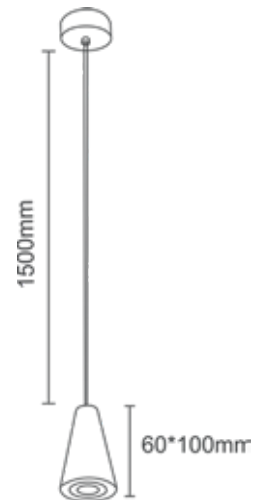
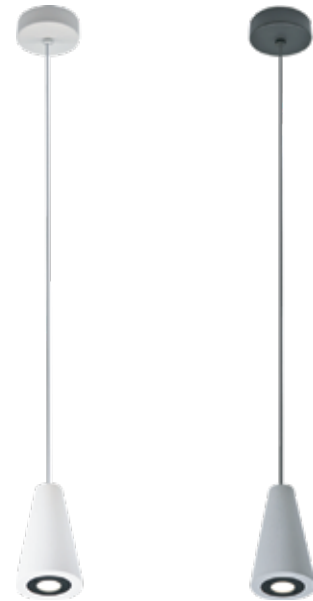


*\*For representational purposes only*

Driver Type to be mentioned with order

## Hanging lights

Wattage	7W
CCT	3000K / 4000K / 6000K
Body Color	White / Grey
Input Voltage	185-265V
Inner Color	White / Grey + Black
CRI	>85
THD	<15
PF	>0.9
Operating Temperature	-10°C to +60°C
Material	Cement
Beam Angle	38°
Dimensions	60mm(Height) 100mm(Width) 1500mm(Length)
LED	Bridgelux



### Product Part Code

HA-7W-210320-<BEAM>-<CCT>-<BODY COLOR>

Comes with on/off drivers(Default)

### Also Available with Following Driver

Triac Dimmable

0-10 Analog Dimmable

DALI Dimmable / DALI 2.0

Smart  

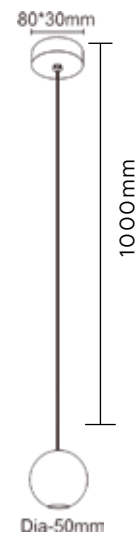
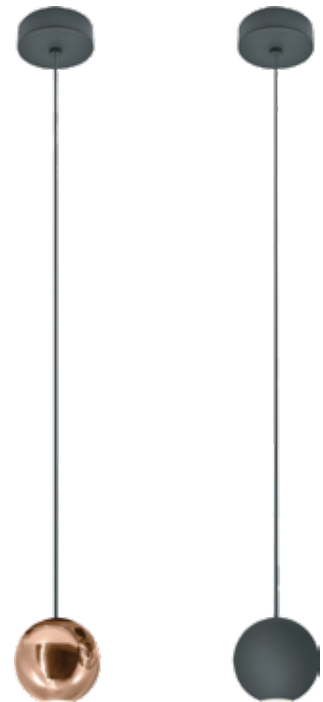


*\*For representational purposes only*

Driver Type to be mentioned with order

## Hanging lights

Wattage	7W
CCT	3000K / 4000K / 6000K
Body Color	Rose Gold / Black + Black Cancopy
Input Voltage	185-265V
Reflector	Silver
CRI	>85
THD	<15
PF	>0.9
Operating Temperature	-10°C to +60°C
Material	Aluminium
Beam Angle	36°
Dimensions	50mm(Height) 50mm(Diameter) 1000mm(Length)
LED	Bridgelux



### Product Part Code

HA-7W-210321-<BEAM>-<CCT>-<BODY COLOR>

Comes with on/off drivers(Default)

### Also Available with Following Driver

Triac Dimmable

0-10 Analog Dimmable

DALI Dimmable / DALI 2.0

Smart  

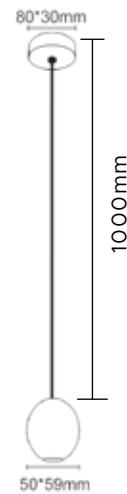
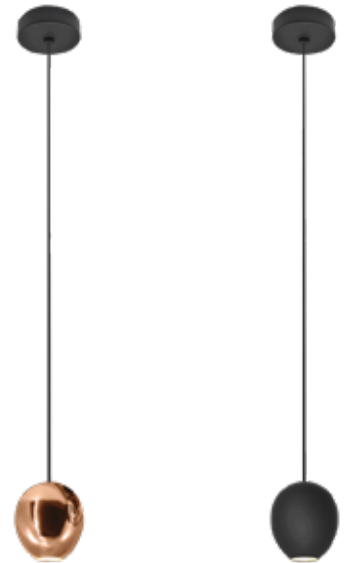


*\*For representational purposes only*

Driver Type to be mentioned with order

## Hanging lights

Wattage	7W
CCT	3000K / 4000K / 6000K
Body Color	Rose Gold / Black + Black Cancopy
Input Voltage	185-265V
Reflector	Silver
CRI	>85
THD	<15
PF	>0.9
Operating Temperature	-10°C to +60°C
Material	Aluminium
Beam Angle	36°
Dimensions	59mm(Height) 50mm(Width) 1000mm(Length)
LED	Bridgelux



### Product Part Code

HA-7W-210322-<BEAM>-<CCT>-<BODY COLOR>

Comes with on/off drivers(Default)

### Also Available with Following Driver

Triac Dimmable

0-10 Analog Dimmable

DALI Dimmable / DALI 2.0

Smart  



*\*For representational purposes only*

Driver Type to be mentioned with order

## Hanging lights

Wattage	7W
CCT	3000K / 4000K
Body Color	Rose Gold + Black Cancopy
Input Voltage	185-265V
Reflector	Silver
CRI	>85
THD	<15
PF	>0.9
Operating Temperature	-10°C to +60°C
Material	Aluminium
Beam Angle	36°
Dimensions	159mm(Height) 27mm(Width) 1690mm(Length)
LED	Bridgelux

### Product Part Code

HA-7W-210338-<BEAM>-<CCT>-<BODY COLOR>

Comes with on/off drivers(Default)

### Also Available with Following Driver

Triac Dimmable

0-10 Analog Dimmable

DALI Dimmable / DALI 2.0

Smart  

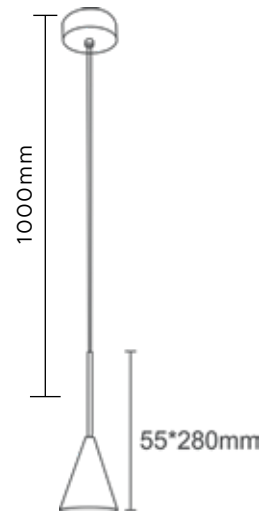
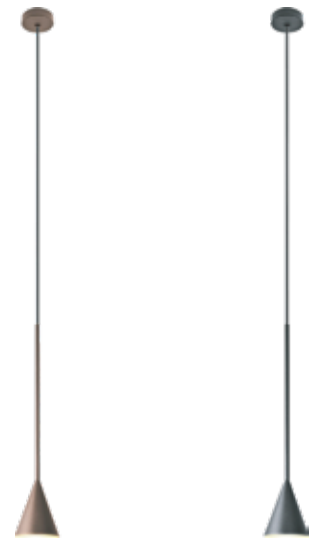
Driver Type to be mentioned with order



*\*For representational purposes only*

## Hanging lights

Wattage	9W
CCT	3000K / 4000K / 6000K
Body Color	Black / Coffee
Input Voltage	185-265V
Reflector	White
CRI	>85
THD	<15
PF	>0.9
Operating Temperature	-10°C to +60°C
Material	Aluminium
Beam Angle	38°
Dimensions	280mm(Height) 55mm(Width) 1000mm(Length)
LED	Bridgelux



### Product Part Code

HA-9W-210386-<BEAM>-<CCT>-<BODY COLOR>

Comes with on/off drivers(Default)

### Also Available with Following Driver

Triac Dimmable

0-10 Analog Dimmable

DALI Dimmable / DALI 2.0

Smart  

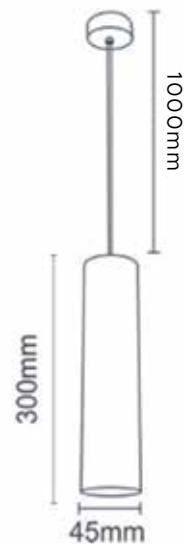


*\*For representational purposes only*

Driver Type to be mentioned with order

## Hanging lights

Wattage	9W
CCT	3000K / 4000K / 6000K
Body Color	White / Black
Input Voltage	185-265V
Inner Color	Black
CRI	>85
THD	<15
PF	>0.9
Operating Temperature	-10°C to +60°C
Material	Aluminium
Beam Angle	24°
Dimensions	300mm(Height) 45mm(Width) 1000mm(Length)
LED	CREE



### Product Part Code

HA-09-LGHL-<BEAM>-<CCT>-<BODY COLOR>

Comes with on/off drivers(Default)

### Also Available with Following Driver

Triac Dimmable

0-10 Analog Dimmable

DALI Dimmable / DALI 2.0

Smart  

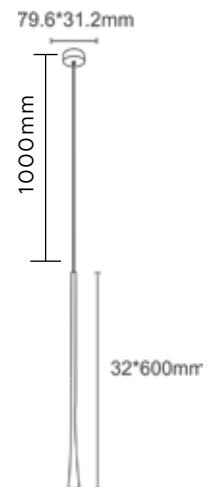
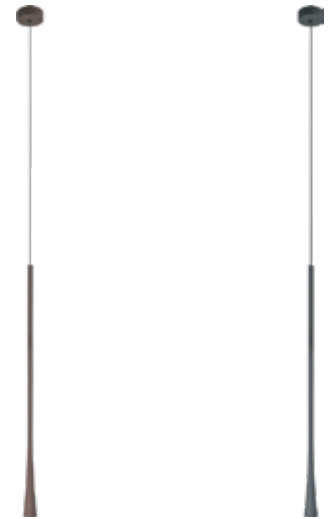


*\*For representational purposes only*

Driver Type to be mentioned with order

## Hanging lights

Wattage	9W
CCT	3000K / 4000K / 6000K
Body Color	Coffee / Black
Input Voltage	185-265V
Inner Color	Same as body color
CRI	>85
THD	<15
PF	>0.9
Operating Temperature	-10°C to +60°C
Material	Aluminium
Beam Angle	38°
Dimensions	600mm(Height) 32mm(Width) 1000mm(Length)
LED	Bridgelux



### Product Part Code

HA-9W-210259-<BEAM>-<CCT>-<BODY COLOR>

Comes with on/off drivers(Default)

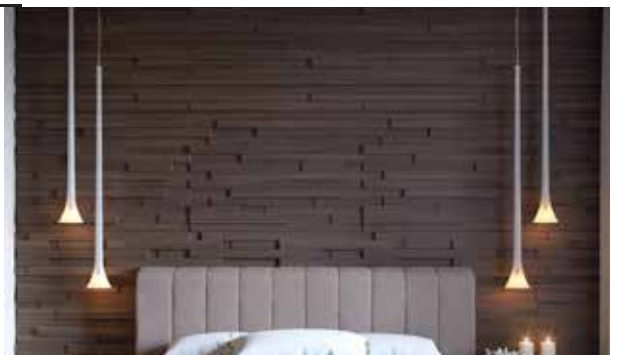
### Also Available with Following Driver

Triac Dimmable

0-10 Analog Dimmable

DALI Dimmable / DALI 2.0

Smart  



*\*For representational purposes only*

Driver Type to be mentioned with order

## Hanging lights

Wattage	9W
CCT	3000K / 4000K
Body Color	Black / Coffee + Rose Gold
Input Voltage	185-265V
Inner Color	Same as Body Color
CRI	>85
THD	<15
PF	>0.9
Operating Temperature	-10°C to +60°C
Material	Aluminium
Beam Angle	18°
Dimensions	92mm(Height) 49mm(Width) 1000mm(Length)
LED	Bridgelux



### Product Part Code

HA-9W-210261-<BEAM>-<CCT>-<BODY COLOR>

Comes with on/off drivers(Default)

### Also Available with Following Driver

Triac Dimmable

0-10 Analog Dimmable

DALI Dimmable / DALI 2.0

Smart  

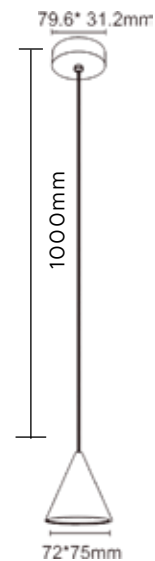
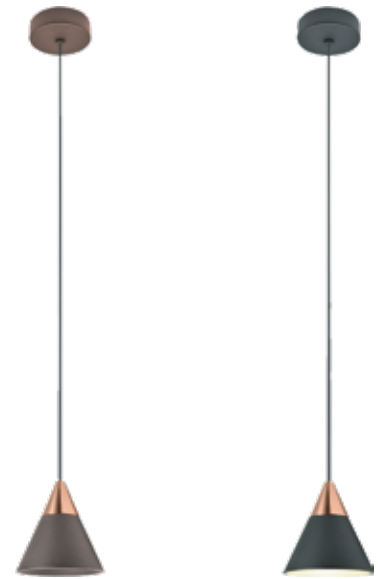


*\*For representational purposes only*

Driver Type to be mentioned with order

## Hanging lights

Wattage	9W
CCT	3000K / 4000K
Body Color	Black / Coffee + Rose Gold
Input Voltage	185-265V
Inner Color	Black / Coffee
CRI	>85
THD	<15
PF	>0.9
Operating Temperature	-10°C to +60°C
Material	Aluminium
Beam Angle	18°
Dimensions	72mm(Height) 75mm(Width) 1000mm(Length)
LED	Bridgelux



### Product Part Code

HA-9W-210265-<BEAM>-<CCT>-<BODY COLOR>

Comes with on/off drivers(Default)

### Also Available with Following Driver

Triac Dimmable

0-10 Analog Dimmable

DALI Dimmable / DALI 2.0

Smart  

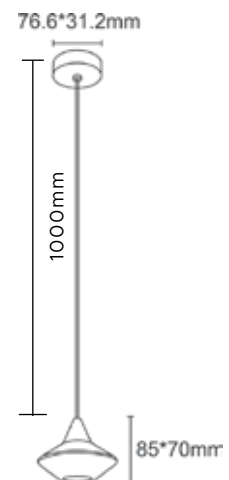
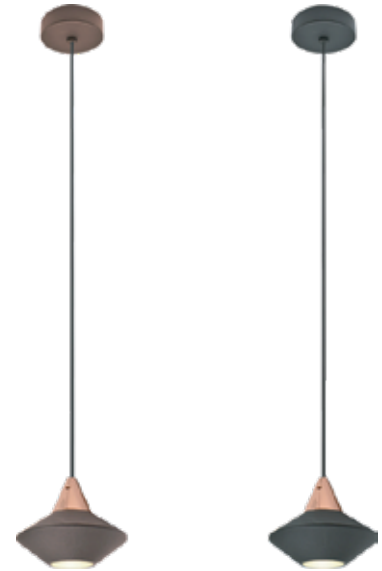


*\*For representational purposes only*

Driver Type to be mentioned with order

## Hanging lights

Wattage	9W
CCT	3000K / 4000K
Body Color	Black / Coffee + Rose Gold
Input Voltage	185-265V
Inner Color	Black / Coffee
CRI	>85
THD	<15
PF	>0.9
Operating Temperature	-10°C to +60°C
Material	Aluminium
Beam Angle	38°
Dimensions	85mm(Height) 71mm(Width) 100mm(Length)
LED	Bridgelux



### Product Part Code

HA-9W-210267-<BEAM>-<CCT>-<BODY COLOR>

Comes with on/off drivers(Default)

### Also Available with Following Driver

Triac Dimmable

0-10 Analog Dimmable

DALI Dimmable / DALI 2.0

Smart  



*\*For representational purposes only*

Driver Type to be mentioned with order

## Hanging lights

Wattage	9W
CCT	3000K / 4000K
Body Color	Black / Coffee + Rose Gold
Input Voltage	185-265V
Inner Color	Same as Body Color
CRI	>85
THD	<15
PF	>0.9
Operating Temperature	-10°C to +60°C
Material	Aluminium
Beam Angle	18°
Dimensions	60mm(Height) 100mm(Width) 1500mm(Length)
LED	Bridgelux



### Product Part Code

HA-9W-210320-<BEAM>-<CCT>-<BODY COLOR>

Comes with on/off drivers(Default)

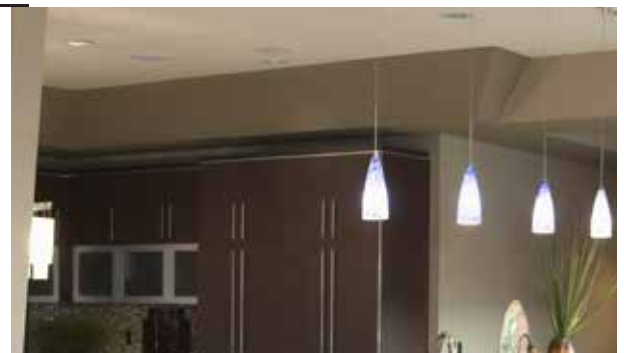
### Also Available with Following Driver

Triac Dimmable

0-10 Analog Dimmable

DALI Dimmable / DALI 2.0

Smart  

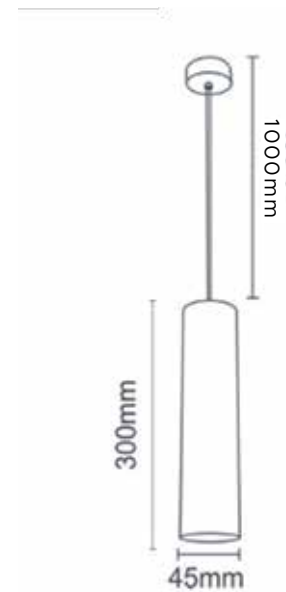


*\*For representational purposes only*

Driver Type to be mentioned with order

## Hanging lights

Wattage	14W
CCT	3000K / 4000K / 6000K
Body Color	White / Black
Input Voltage	185-265V
Inner Color	Black
CRI	>85
THD	<15
PF	>0.9
Operating Temperature	-10°C to +60°C
Material	Aluminium
Beam Angle	24°
Dimensions	300mm(Height) 55mm(Width) 1000mm(Length)
LED	CREE



### Product Part Code

HA-14-LGHL-<BEAM>-<CCT>-<BODY COLOR>

Comes with on/off drivers(Default)

### Also Available with Following Driver

Triac Dimmable

0-10 Analog Dimmable

DALI Dimmable / DALI 2.0

Smart  



*\*For representational purposes only*

Driver Type to be mentioned with order

## Hanging lights

Wattage	7W
CCT	3000K / 4000K / 6000K
Body Color	Gold / Black
Input Voltage	185-265V
Inner Color	Same as Body Color
CRI	>85
THD	<15
PF	>0.9
Operating Temperature	-10°C to +60°C
Material	Aluminium
Beam Angle	24°
Dimensions	500mm(Height) 55mm(Width) 1000mm(Length)
LED	Bridgelux



### Product Part Code

HA-07-PL-047-A-<BEAM>-<CCT>-<BODY COLOR>

Comes with on/off drivers(Default)

### Also Available with Following Driver

Triac Dimmable

0-10 Analog Dimmable

DALI Dimmable / DALI 2.0

Smart  

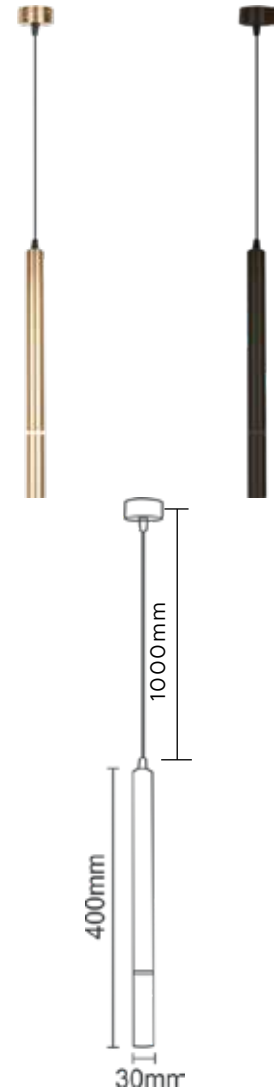


*\*For representational purposes only*

Driver Type to be mentioned with order

## Hanging lights

Wattage	7W
CCT	3000K / 4000K / 6000K
Body Color	Gold / Black
Input Voltage	185-265V
Inner Color	Same as Body Color
CRI	>85
THD	<15
PF	>0.9
Operating Temperature	-10°C to +60°C
Material	Aluminium
Beam Angle	24°
Dimensions	400mm(Height) 30mm(Width) 1000mm(Length)
LED	Bridgelux



### Product Part Code

HA-07-PL-047-B-<BEAM>-<CCT>-<BODY COLOR>

Comes with on/off drivers(Default)

### Also Available with Following Driver

Triac Dimmable

0-10 Analog Dimmable

DALI Dimmable / DALI 2.0

Smart  

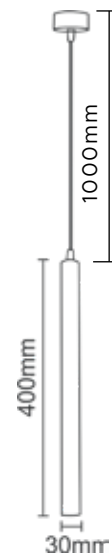


*\*For representational purposes only*

Driver Type to be mentioned with order

## Hanging lights

Wattage	9W
CCT	3000K / 4000K / 6000K
Body Color	Black / Gold
Input Voltage	185-265V
Inner Color	Same as Body Color
CRI	>85
THD	<15
PF	>0.9
Operating Temperature	-10°C to +60°C
Material	Aluminium
Beam Angle	38°
Dimensions	280mm(Height) 55mm(Width) 1000mm(Length)
LED	Bridgelux



### Product Part Code

HA-07-PL-047-C-<BEAM>-<CCT>-<BODY COLOR>

Comes with on/off drivers(Default)

### Also Available with Following Driver

Triac Dimmable

0-10 Analog Dimmable

DALI Dimmable / DALI 2.0

Smart  

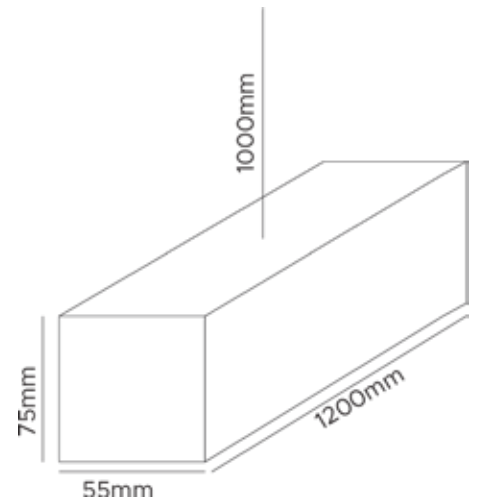


*\*For representational purposes only*

Driver Type to be mentioned with order

## Hanging lights

Wattage	42W
CCT	3000K / 4000K / 6000K
Body Color	White / Black
Input Voltage	185-265V
Diffuser	PMMA
CRI	>85
THD	<15
PF	>0.9
Operating Temperature	-10°C to +60°C
Material	Aluminium
Beam Angle	120°
Dimensions	1200mm(Length) 55x75mm(Width x Height) 1000mm(Suspension)
LED	Bridgelux



### Product Part Code

HA-42LRHL-<BEAM>-<CCT>-<BODY COLOR>

Comes with on/off drivers(Default)

### Also Available with Following Driver

Triac Dimmable

0-10 Analog Dimmable

DALI Dimmable / DALI 2.0

Smart  

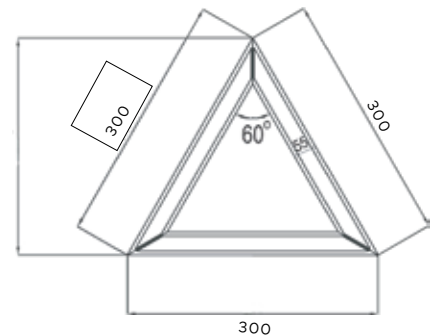
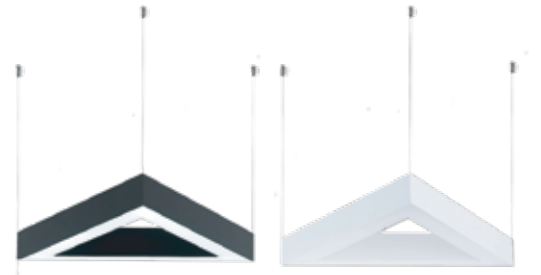


*\*For representational purposes only*

Driver Type to be mentioned with order

## Hanging lights

Wattage	54W
CCT	3000K / 4000K / 6000K
Body Color	White / Black
Input Voltage	185-265V
Diffuser	PMMA
CRI	>85
THD	<15
PF	>0.9
Operating Temperature	-10°C to +60°C
Material	Aluminium
Beam Angle	120°
Dimensions	PER ARM 300mm(Length) 55x75mm(Width x Height) 1000mm(Suspension)
LED	Bridgelux



### Product Part Code

HA-TRIANGLE-300-<BEAM>-<CCT>-<BODY COLOR>

Comes with on/off drivers(Default)

### Also Available with Following Driver

Triac Dimmable

0-10 Analog Dimmable

DALI Dimmable / DALI 2.0

Smart  

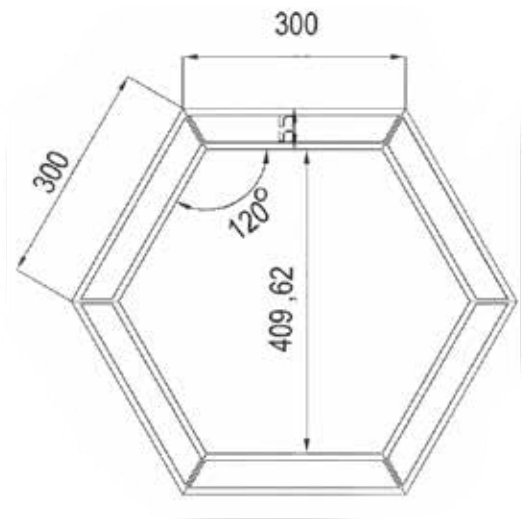


*\*For representational purposes only*

Driver Type to be mentioned with order

## Hanging lights

Wattage	54W
CCT	3000K / 4000K / 6000K
Body Color	White / Black
Input Voltage	185-265V
Diffuser	PMMA
CRI	>85
THD	<15
PF	>0.9
Operating Temperature	-10°C to +60°C
Material	Aluminium
Beam Angle	120°
Dimensions	PER ARM 300mm(Length) 75x55mm(Width x Height) 1000mm(Suspension)
LED	Bridgelux



### Product Part Code

HA-HEXA-300-<BEAM>-<CCT>-<BODY COLOR>

Comes with on/off drivers(Default)

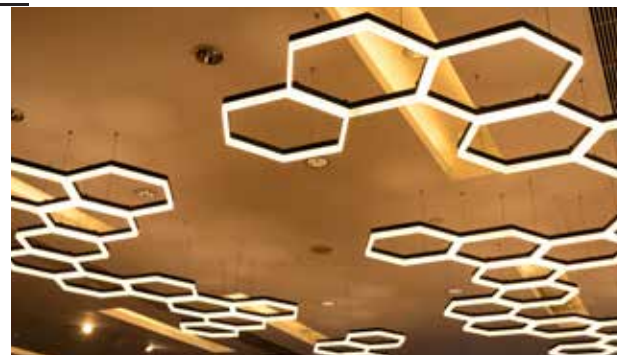
### Also Available with Following Driver

Triac Dimmable

0-10 Analog Dimmable

DALI Dimmable / DALI 2.0

Smart  

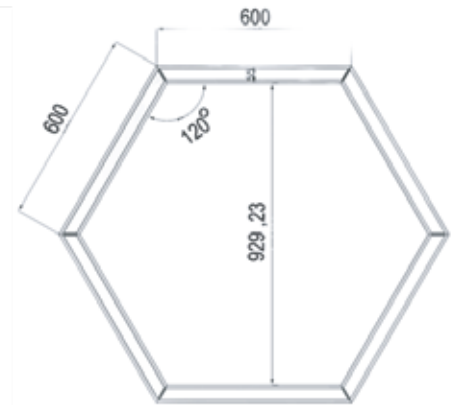


*\*For representational purposes only*

Driver Type to be mentioned with order

## Hanging lights

Wattage	108W
CCT	3000K / 4000K / 6000K
Body Color	White / Black
Input Voltage	185-265V
Diffuser	PMMA
CRI	>85
THD	<15
PF	>0.9
Operating Temperature	-10°C to +60°C
Material	Aluminium
Beam Angle	120°
Dimensions	PER ARM 600mm(Length) 55x75mm(Width x Height) 1000mm(Suspension)
LED	Bridgelux



### Product Part Code

HA-HEXA-600-<BEAM>-<CCT>-<BODY COLOR>

Comes with on/off drivers(Default)

### Also Available with Following Driver

Triac Dimmable

0-10 Analog Dimmable

DALI Dimmable / DALI 2.0

Smart  

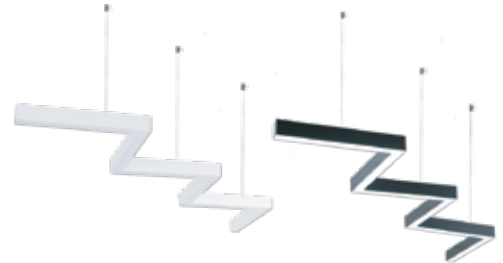


*\*For representational purposes only*

Driver Type to be mentioned with order

## Hanging lights

Wattage	54W
CCT	3000K / 4000K / 6000K
Body Color	White / Black
Input Voltage	185-265V
Diffuser	PMMA
CRI	>85
THD	<15
PF	>0.9
Operating Temperature	-10°C to +60°C
Material	Aluminium
Beam Angle	120°
Dimensions	PER ARM 300mm(Length) 55x75mm(Width x Height) 1000mm(Suspension)
LED	Bridgelux



### Product Part Code

HA-ZIGZAG-300-<BEAM>-<CCT>-<BODY COLOR>

Comes with on/off drivers(Default)

### Also Available with Following Driver

Triac Dimmable

0-10 Analog Dimmable

DALI Dimmable / DALI 2.0

Smart  

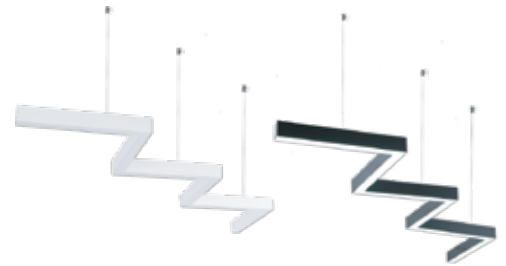


*\*For representational purposes only*

Driver Type to be mentioned with order

## Hanging lights

Wattage	108W
CCT	3000K / 4000K / 6000K
Body Color	White / Black
Input Voltage	185-265V
Diffuser	PMMA
CRI	>85
THD	<15
PF	>0.9
Operating Temperature	-10°C to +60°C
Material	Aluminium
Beam Angle	120°
Dimensions	PER ARM 600mm(Length) 55x75mm(Width x Height) 1000mm(Suspension)
LED	Bridgelux



### Product Part Code

HA-ZIGZAG-600-<BEAM>-<CCT>-<BODY COLOR>

Comes with on/off drivers(Default)

### Also Available with Following Driver

Triac Dimmable

0-10 Analog Dimmable

DALI Dimmable / DALI 2.0

Smart  

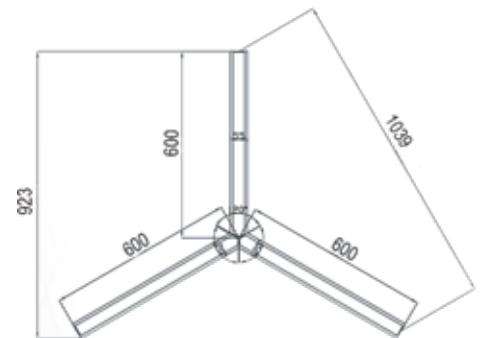


*\*For representational purposes only*

Driver Type to be mentioned with order

## Hanging lights

Wattage	54W
CCT	3000K / 4000K / 6000K
Body Color	White / Black
Input Voltage	185-265V
Diffuser	PMMA
CRI	>85
THD	<15
PF	>0.9
Operating Temperature	-10°C to +60°C
Material	Aluminium
Beam Angle	120°
Dimensions	PER ARM 600mm(Length) 55x75mm(Width x Height) 1000mm(Suspension)
LED	Bridgelux



### Product Part Code

HA-Y600 LINAER-<BEAM>-<CCT>-<BODY COLOR>

Comes with on/off drivers(Default)

### Also Available with Following Driver

Triac Dimmable

0-10 Analog Dimmable

DALI Dimmable / DALI 2.0

Smart  



*\*For representational purposes only*

Driver Type to be mentioned with order

## Hanging lights

Wattage	108W
CCT	3000K / 4000K / 6000K
Body Color	White / Black
Input Voltage	185-265V
Diffuser	PMMA
CRI	>85
THD	<15
PF	>0.9
Operating Temperature	-10°C to +60°C
Material	Aluminium
Beam Angle	120°
Dimensions	PER ARM 1000mm(Length) 55x75mm(Width x Height) 1000mm(Suspension)
LED	Bridgelux



### Product Part Code

HA-Y1000 LINAER-<BEAM>-<CCT>-<BODY COLOR>

Comes with on/off drivers(Default)

### Also Available with Following Driver

Triac Dimmable

0-10 Analog Dimmable

DALI Dimmable / DALI 2.0

Smart  

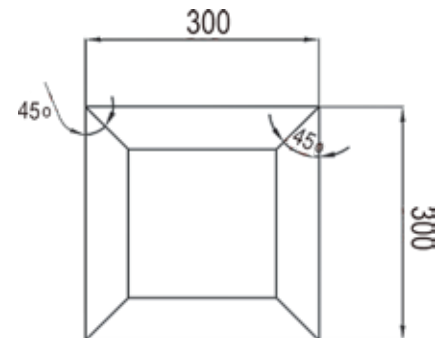


*\*For representational purposes only*

Driver Type to be mentioned with order

## Hanging lights

Wattage	36W
CCT	3000K / 4000K / 6000K
Body Color	White / Black
Input Voltage	185-265V
Diffuser	PMMA
CRI	>85
THD	<15
PF	>0.9
Operating Temperature	-10°C to +60°C
Material	Aluminium
Beam Angle	120°
Dimensions	PER ARM 300mm(Length) 55x75mm(Width x Height) 1000mm(Suspension)
LED	Bridgelux



### Product Part Code

HA-SQUARE-300-<BEAM>-<CCT>-<BODY COLOR>

Comes with on/off drivers(Default)

### Also Available with Following Driver

Triac Dimmable

0-10 Analog Dimmable

DALI Dimmable / DALI 2.0

Smart  

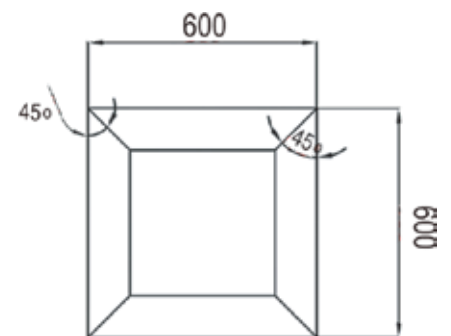


*\*For representational purposes only*

Driver Type to be mentioned with order

## Hanging lights

Wattage	72W
CCT	3000K / 4000K / 6000K
Body Color	White / Black
Input Voltage	185-265V
Diffuser	PMMA
CRI	>85
THD	<15
PF	>0.9
Operating Temperature	-10°C to +60°C
Material	Aluminium
Beam Angle	18°
Dimensions	PER ARM 600mm(Length) 75x55mm(Width x Height) 1000mm(Suspension)
LED	Bridgelux



### Product Part Code

HA-SQUARE-600-<BEAM>-<CCT>-<BODY COLOR>

Comes with on/off drivers(Default)

### Also Available with Following Driver

Triac Dimmable

0-10 Analog Dimmable

DALI Dimmable / DALI 2.0

Smart  

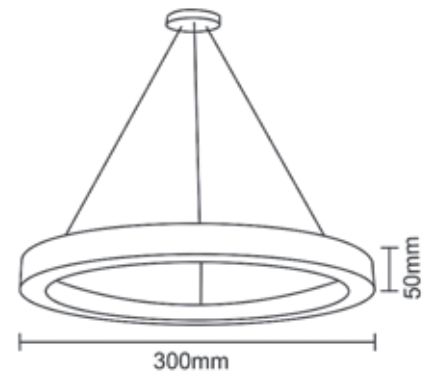


*\*For representational purposes only*

Driver Type to be mentioned with order

## Hanging lights

Wattage	24W
CCT	3000K / 4000K / 6000K
Body Color	White / Black
Input Voltage	185-265V
Diffuser	PMMA
CRI	>85
THD	<15
PF	>0.9
Operating Temperature	-10°C to +60°C
Material	Aluminium
Beam Angle	120°
Dimensions	300mm(Diameter) 60x50mm(Height x Width) 1000mm(Suspension)
LED	Bridgelux



### Product Part Code

HA-DONUT-300-<BEAM>-<CCT>-<BODY COLOR>

Comes with on/off drivers(Default)

### Also Available with Following Driver

Triac Dimmable

0-10 Analog Dimmable

DALI Dimmable / DALI 2.0

Smart  

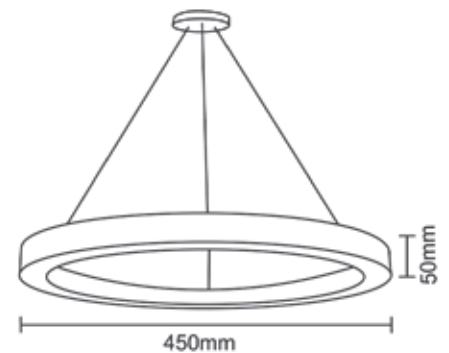


*\*For representational purposes only*

Driver Type to be mentioned with order

## Hanging lights

Wattage	30W
CCT	3000K / 4000K / 6000K
Body Color	White / Black
Input Voltage	185-265V
Diffuser	PMMA
CRI	>85
THD	<15
PF	>0.9
Operating Temperature	-10°C to +60°C
Material	Aluminium
Beam Angle	120°
Dimensions	450mm(Diameter) 60x50mm(Height x Width) 1000mm(Suspension)
LED	Bridgelux



### Product Part Code

HA-DONUT-450-<BEAM>-<CCT>-<BODY COLOR>

Comes with on/off drivers(Default)

### Also Available with Following Driver

Triac Dimmable

0-10 Analog Dimmable

DALI Dimmable / DALI 2.0

Smart  

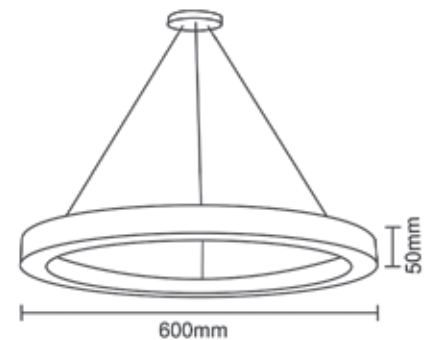


*\*For representational purposes only*

Driver Type to be mentioned with order

## Hanging lights

Wattage	36W
CCT	3000K / 4000K / 6000K
Body Color	White / Black
Input Voltage	185-265V
Diffuser	PMMA
CRI	>85
THD	<15
PF	>0.9
Operating Temperature	-10°C to +60°C
Material	Aluminium
Beam Angle	120°
Dimensions	600mm(Diameter) 60x50mm(Height x Width) 1000mm(Suspension)
LED	Bridgelux



### Product Part Code

HA-DONUT-600-<BEAM>-<CCT>-<BODY COLOR>

Comes with on/off drivers(Default)

### Also Available with Following Driver

Triac Dimmable

0-10 Analog Dimmable

DALI Dimmable / DALI 2.0

Smart  

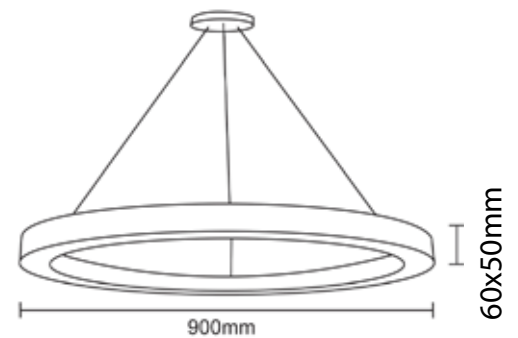


*\*For representational purposes only*

Driver Type to be mentioned with order

## Hanging lights

Wattage	75W
CCT	3000K / 4000K / 6000K
Body Color	White / Black
Input Voltage	185-265V
Diffuser	PMMA
CRI	>85
THD	<15
PF	>0.9
Operating Temperature	-10°C to +60°C
Material	Aluminium
Beam Angle	120°
Dimensions	900mm(Diameter) 60x50mm(Height x Width) 1000mm(Suspension)
LED	Bridgelux



### Product Part Code

HA-DONUT-900-<BEAM>-<CCT>-<BODY COLOR>

Comes with on/off drivers(Default)

### Also Available with Following Driver

Triac Dimmable

0-10 Analog Dimmable

DALI Dimmable / DALI 2.0

Smart  

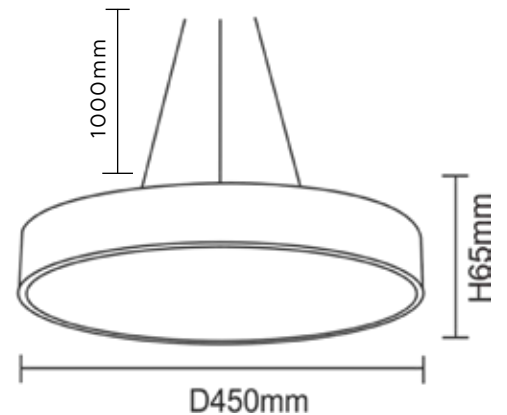


*\*For representational purposes only*

Driver Type to be mentioned with order

## Hanging lights

Wattage	30W
CCT	3000K / 4000K / 6000K
Body Color	White / Black
Input Voltage	185-265V
Diffuser	PMMA
CRI	>85
THD	<15
PF	>0.9
Operating Temperature	-10°C to +60°C
Material	Aluminium
Beam Angle	120°
Dimensions	450mm(Diameter) 65mm(Height) 1000mm(Suspension)
LED	Bridgelux



### Product Part Code

HA-DRUM-450-<BEAM>-<CCT>-<BODY COLOR>

Comes with on/off drivers(Default)

### Also Available with Following Driver

Triac Dimmable

0-10 Analog Dimmable

DALI Dimmable / DALI 2.0

Smart  



Driver Type to be mentioned with order

## Hanging lights

Wattage	36W
CCT	3000K / 4000K / 6000K
Body Color	White / Black
Input Voltage	185-265V
Diffuser	PMMA
CRI	>85
THD	<15
PF	>0.9
Operating Temperature	-10°C to +60°C
Material	Aluminium
Beam Angle	120°
Dimensions	600mm(Diameter) 65mm(Height) 1000mm(Suspension)
LED	Bridgelux



### Product Part Code

HA-DRUM-600-<BEAM>-<CCT>-<BODY COLOR>

Comes with on/off drivers(Default)

### Also Available with Following Driver

Triac Dimmable

0-10 Analog Dimmable

DALI Dimmable / DALI 2.0

Smart  

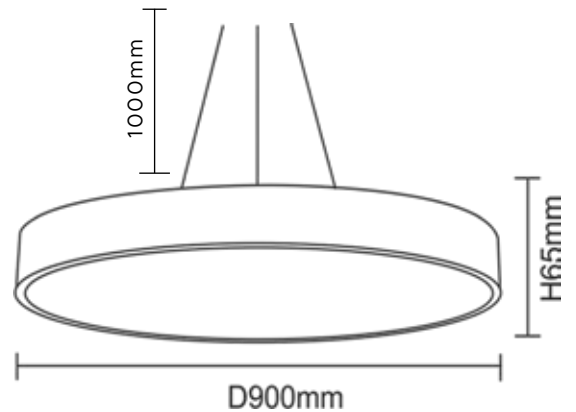


*\*For representational purposes only*

Driver Type to be mentioned with order

## Hanging lights

Wattage	72W
CCT	3000K / 4000K / 6000K
Body Color	White / Black
Input Voltage	185-265V
Diffuser	PMMA
CRI	>85
THD	<15
PF	>0.9
Operating Temperature	-10°C to +60°C
Material	Aluminium
Beam Angle	120°
Dimensions	900mm(Diameter) 65mm(Height) 1000mm(Suspension)
LED	Bridgelux



### Product Part Code

HA-DRUM-900-<BEAM>-<CCT>-<BODY COLOR>

Comes with on/off drivers(Default)

### Also Available with Following Driver

Triac Dimmable

0-10 Analog Dimmable

DALI Dimmable / DALI 2.0

Smart  

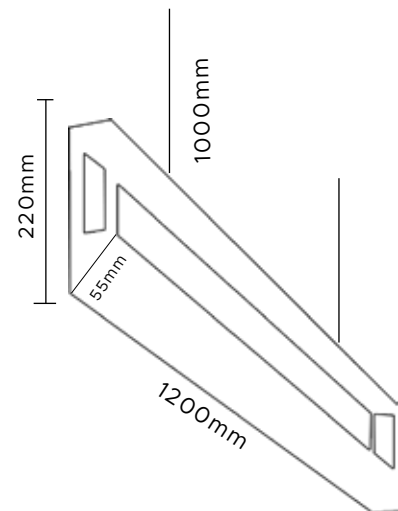


*\*For representational purposes only*

Driver Type to be mentioned with order

## Hanging lights

Wattage	42W
CCT	3000K / 4000K / 6000K
Body Color	White / Black
Input Voltage	185-265V
Diffuser	PMMA
CRI	>85
THD	<15
PF	>0.9
Operating Temperature	-10°C to +60°C
Material	Aluminium
Beam Angle	120°
Dimensions	1200mm(Length) 220x52mm(Height x Width) 1000mm(Suspension)
LED	Bridgelux



### Product Part Code

HA-42LR-747-4 feet-<BEAM>-<CCT>-<BODY COLOR>

Comes with on/off drivers(Default)

### Also Available with Following Driver

Triac Dimmable

0-10 Analog Dimmable

DALI Dimmable / DALI 2.0

Smart  

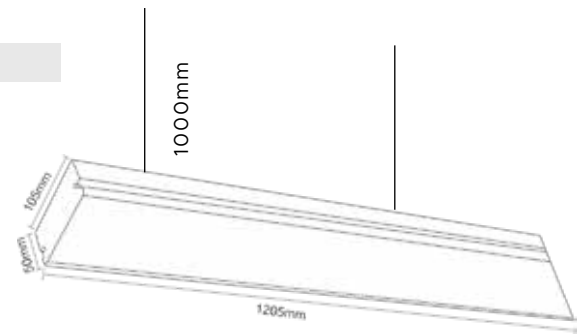


*\*For representational purposes only*

Driver Type to be mentioned with order

## Hanging lights

Wattage	56W
CCT	3000K / 4000K / 6000K
Body Color	White / Black / Wooden
Input Voltage	185-265V
Reflector	White with Honeycomb Pattern
CRI	>85
THD	<15
PF	>0.9
Operating Temperature	-10°C to +60°C
Material	Aluminium
Beam Angle	120°
Dimensions	1205mm(Length) 50x105mm(Height x Width) 1000mm(Suspension)
LED	CREE



### Product Part Code

HA-56-LRHL-<BEAM>-<CCT>-<BODY COLOR>

Comes with on/off drivers(Default)

### Also Available with Following Driver

Triac Dimmable

0-10 Analog Dimmable

DALI Dimmable / DALI 2.0

Smart  

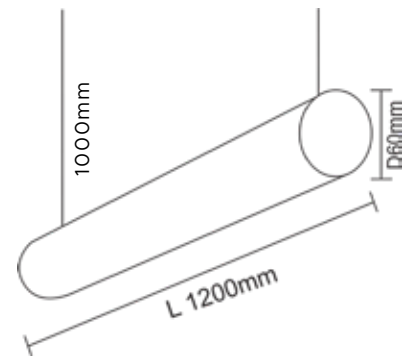


*\*For representational purposes only*

Driver Type to be mentioned with order

## Hanging lights

Wattage	36W
CCT	3000K / 4000K / 6000K
Body Color	White / Black
Input Voltage	185-265V
Diffuser	PMMA
CRI	>85
THD	<15
PF	>0.9
Operating Temperature	-10°C to +60°C
Material	Aluminium
Beam Angle	120°
Dimensions	1200mm(Length) 60mm(Height / Diameter) 1000mm(Suspension)
LED	Bridgelux



### Product Part Code

HA-ROUND-3660-<BEAM>-<CCT>-<BODY COLOR>

Comes with on/off drivers(Default)

### Also Available with Following Driver

Triac Dimmable

0-10 Analog Dimmable

DALI Dimmable / DALI 2.0

Smart  

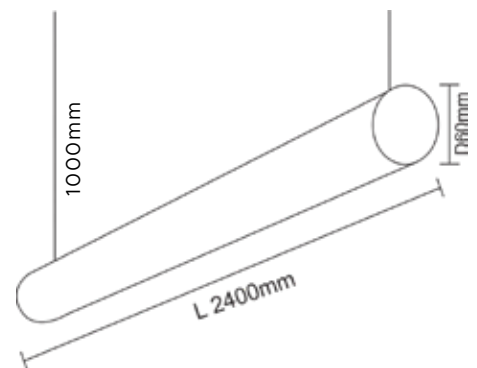


*\*For representational purposes only*

Driver Type to be mentioned with order

## Hanging lights

Wattage	72W
CCT	3000K / 4000K / 6000K
Body Color	White / Black
Input Voltage	185-265V
Diffuser	PMMA
CRI	>85
THD	<15
PF	>0.9
Operating Temperature	-10°C to +60°C
Material	Aluminium
Beam Angle	120°
Dimensions	2400mm(Length) 60mm(Height / Diameter) 1000mm(Suspension)
LED	Bridgelux



### Product Part Code

HA-ROUND-7260-<BEAM>-<CCT>-<BODY COLOR>

Comes with on/off drivers(Default)

### Also Available with Following Driver

Triac Dimmable

0-10 Analog Dimmable

DALI Dimmable / DALI 2.0

Smart  

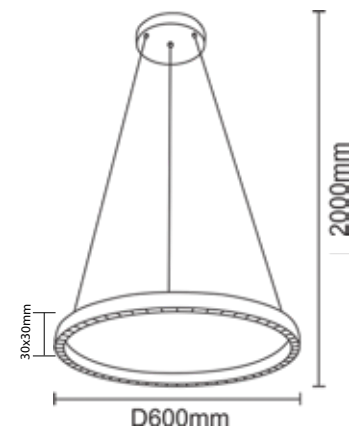


*\*For representational purposes only*

Driver Type to be mentioned with order

## Hanging lights

Wattage	30W
CCT	3000K / 4000K / 6000K
Body Color	Black / Gold
Input Voltage	185-265V
Reflector	Black
CRI	>85
THD	<15
PF	>0.9
Operating Temperature	-10°C to +60°C
Material	Aluminium
Beam Angle	24°
Dimensions	600mm(Diameter) 30x30mm(Height x Width) 2000mm(Length)
LED	Osram



### Product Part Code

HA-ROL-600-RINGO-<BEAM>-<CCT>-<BODY COLOR>

Comes with on/off drivers(Default)

### Also Available with Following Driver

Triac Dimmable

0-10 Analog Dimmable

DALI Dimmable / DALI 2.0

Smart  

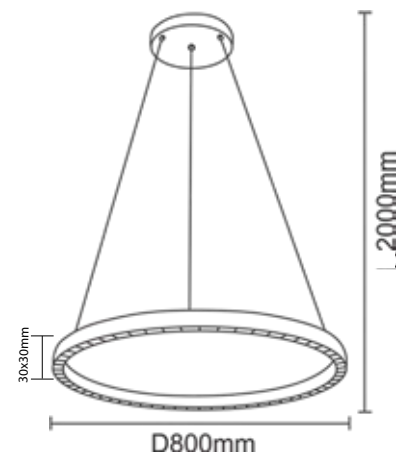


*\*For representational purposes only*

Driver Type to be mentioned with order

## Hanging lights

Wattage	40W
CCT	3000K / 4000K / 6000K
Body Color	Black / Gold
Input Voltage	185-265V
Reflector	Black
CRI	>85
THD	<15
PF	>0.9
Operating Temperature	-10°C to +60°C
Material	Aluminium
Beam Angle	24°
Dimensions	800mm(Diameter) 30x30mm(Height x Width) 2000mm(Length)
LED	Osram



### Product Part Code

HA-ROL-600-RINGO-<BEAM>-<CCT>-<BODY COLOR>

Comes with on/off drivers(Default)

### Also Available with Following Driver

Triac Dimmable

0-10 Analog Dimmable

DALI Dimmable / DALI 2.0

Smart  

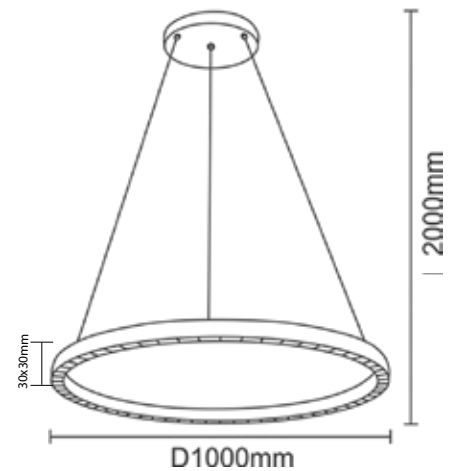


*\*For representational purposes only*

Driver Type to be mentioned with order

## Hanging lights

Wattage	50W
CCT	3000K / 4000K / 6000K
Body Color	Black / Gold
Input Voltage	185-265V
Reflector	Black
CRI	>85
THD	<15
PF	>0.9
Operating Temperature	-10°C to +60°C
Material	Aluminium
Beam Angle	24°
Dimensions	1000mm(Diameter) 30x30mm(Height x Width) 2000mm(Length)
LED	Osram



### Product Part Code

HA-ROL-600-RINGO-<BEAM>-<CCT>-<BODY COLOR>

Comes with on/off drivers(Default)

### Also Available with Following Driver

Triac Dimmable

0-10 Analog Dimmable

DALI Dimmable / DALI 2.0

Smart  

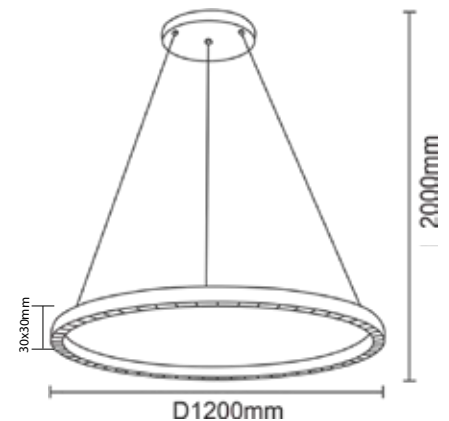


*\*For representational purposes only*

Driver Type to be mentioned with order

## Hanging lights

Wattage	60W
CCT	3000K / 4000K / 6000K
Body Color	Black / Gold
Input Voltage	185-265V
Reflector	Black
CRI	>85
THD	<15
PF	>0.9
Operating Temperature	-10°C to +60°C
Material	Aluminium
Beam Angle	24°
Dimensions	1200mm(Diameter) 30x30mm(Height x Width) 2000mm(Length)
LED	Osram



### Product Part Code

HA-ROL-600-RINGO-<BEAM>-<CCT>-<BODY COLOR>

Comes with on/off drivers(Default)

### Also Available with Following Driver

Triac Dimmable

0-10 Analog Dimmable

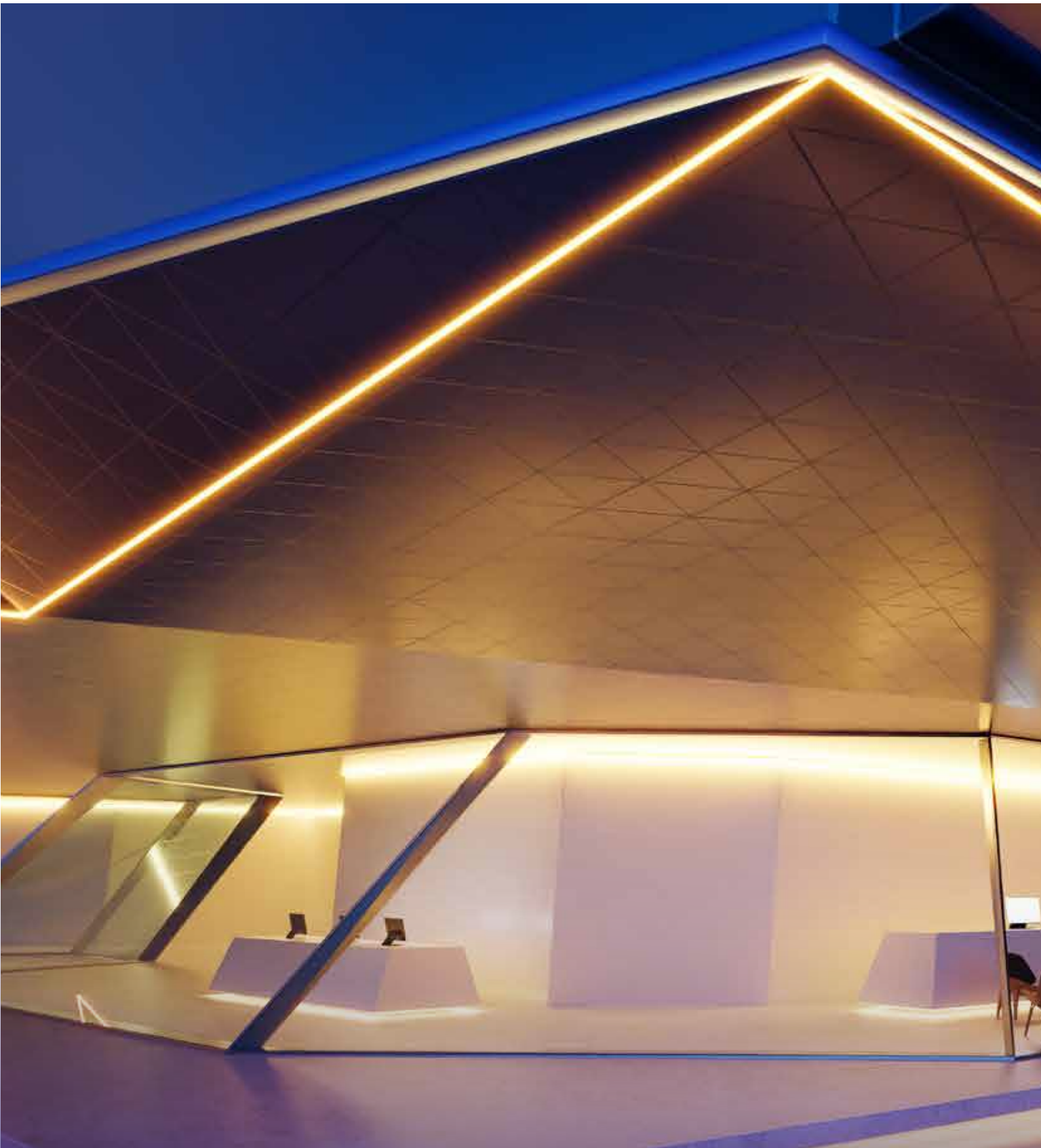
DALI Dimmable / DALI 2.0

Smart  



*\*For representational purposes only*

Driver Type to be mentioned with order



**Polycab India Limited 77**

Polycab House, Pandit Satawalekar Marg,

Mahim West, Mumbai - 400 016.

[enquiry@polycab.com](mailto:enquiry@polycab.com)

Call: 1800-267-0008

Timing: 9:30 am to 6:30 pm (Monday - Saturday)

Follow Us on:   